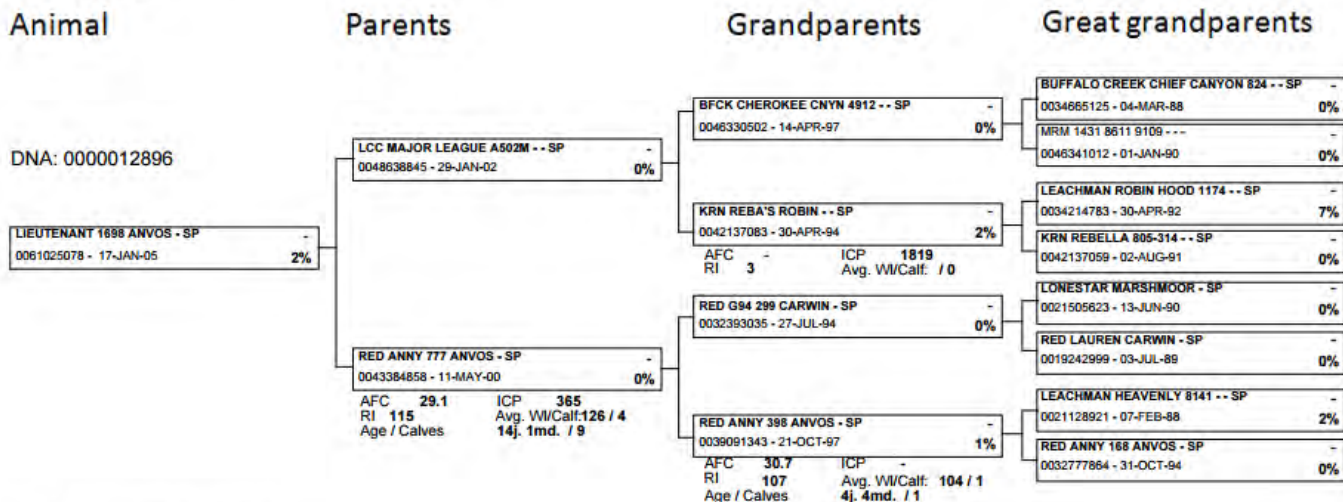


Explanation of catalogue

LOT: Lot number
 Ident.nr: Identification number (Herd + birth year + number)
 Section: SP = Studbook Proper
 Reg.number: SA Stud Book Registration number

Pedigree



AFC: Age at first calving
 ICP: Intercalving period
 RI: Reproduction index
 Avg. W/calf: Average Wean Index / Number of calves
 Age / Calves: Age of cow and number of calves

Selection value	CALVING EASE ***			MILK **☆	CALF GRWTH **☆	MAINTENANCE ***	GROWTH TEST					FERTILITY ***			COW VALUE	GROWTH VALUE	PRODUCTION VALUE
	103 ₇₃	93 ₅₈	99 ₇₀	98 ₂₄	102	102	102	102	102	105	105	72	105	98 ₃₈			
Birth wght	102	105	93	99	97	102	102	102	-	102	105	105	72	105	95 ₄₇	-	-
Birth Mat	.32 ₇₅	.02 ₅₇	-.3 ₅₈	2.4 ₇₀	4.4 ₆₃	10 ₂₄	95 ₁₄	23 ₁₄	-	25 ₁₇	15 ₁₉	13.8 ₂₀	22.3 ₅₆	-3 ₁₉	In Vitro	-	-
Weights/Index	31(8.6%)			160 (95)	166 (91)		-	-	-	-	-	-	-	-	Flushings/Embrios/Calves: 0/0/0		
Remarks:	-														Tests: -		
															Vacc. -		

EBV ind and EBV: Breeding Value Index and Breeding Value
 (EBVs are also expressed as easily interpretable Breeding Value Index)

Birth wght Birth Weight
 Birth Mat Birth Maternal
 Milk Milk
 Wean wght Weaning weight
 Postwean Post wean weight (12- and 18 mnths)
 Mat.wght Mature weight
 ADG Average daily gain (growth)
 Kleiber Kleiber ratio (efficient growth on veld)
 FCR Feed Conversion Ratio (kg feed/kg Weight gain)
 Length Body length
 Height Shoulder or hip height
 Scrotum Scrotum circumference
 AFC Age at first calf
 ICP Intercalving period

Logix Genetic Catalogue

The Selection Values in this catalogue indicate the genetic merit of the animals since all environmental effects have been removed. Selection Values are a combination of relevant breeding values and are based on animals that were scientifically measured according to international norms. Breeding values are estimated from performance of ancestors and progeny, as well as own performance.

Selection Value	What does it measure?	Notes
Cow Value	Genetic merit to breed daughters that are fertile, calve easily, wean heavy calves, have lots of milk and low maintenance requirements.	Combination of the sub-values Calving Ease, Milk, Calf Growth, Maintenance and Fertility.
Growth Value	Bulls /Cows with genetic merit for growth and growth efficiency after weaning.	The animal's genetic merit for growth summarized in a single value.
Production Value	Combination of Cow Value and Growth Value.	Single value that summarizes the genetic merit of the animal.

It is easy to interpret Selection Values:

- Average of the live animals in the breed: 100
- Above 100: more desirable,
- Below 100: less desirable

Sub Value	What does an above breed average value (100) mean?
Calving Ease	Smaller calf at birth – easier calving
Milk	Cows / daughters with more milk and better mothering traits
Calf Growth	Heavier calf at wean due to growth ability of the calf itself.
Low Maintenance	Animals with lower maintenance requirements (lower mature weight EBVs).
Fertility	Cows / daughters that calve earlier and / or more regularly.

Star Grading	Selection Value
☆	<60
★	60-69
★★☆	70-79
★★★	80-89
★★★★☆	90-99
★★★★★	100-109
★★★★★	110-119
★★★★★	120-129
★★★★★	130-139
★★★★★	>140



Accuracy (Acc):
The amount of information available for breeding value estimation is indicated with an accuracy value (Acc). The accuracy is a value between 0 and 99. Younger animals have lower accuracies than older animals.
A combination of the following information is used to estimate the accuracy:
 • **Parents:** Known or unknown; Accuracy of parents' breeding values.
 • **Own measurement:** Animal is measured for trait, or genetically correlated trait
 • **Progeny:** Number of progeny measured for trait or correlated traits
Wide interpretation of Acc:
 Acc>80%: A lot of information, AI bull, many offspring
 Acc>60%: Animal has measured progeny
 Acc>30%: Animal measured
 Acc <30%: Little information

LOT 1

0442495, S.A. WELZ, POSBUS 521695, SAXONWOLD, 2132, (T)011-447 2858



Name Ident. number Sex Section Reg. number Birth Date
BLOMVLEI SW 040075 FEMALE A 0049135528 07-OCT-04

04 75

DNA: -

BLOMVLEI SW 040075 - A H
 0049135528 - 07-OCT-04 0%

AFC - ICP 454
 RI 96
 Age / Calves 11j. 6md. / 7
 Avg. WI/Calf: 106 / 6
 CALVINGS
 09/07 ,12/08 ,
 12/09 ,04/11 ,
 05/12 ,07/13 ,
 03/15

BUROWILL ASE 990042 - A -
 0042471466 - 07-OCT-99 0%

AFC 28.7 ICP 424
 RI 104 Avg. WI/Calf: 110 / 10
 Age / Calves 16j. 3md. / 12

- J 960107 - SP -
 0041181660 - 13-AUG-96 2%

BUROWILL ASE 960016 - BS -
 0042274274 - 01-OCT-96 0%

AFC - ICP -
 RI - Avg. WI/Calf: 98 / 1
 Age / Calves 3j. 7md. / 1

- LB93235 - SP -
 0038486445 - 14-DEC-93 1%
JAMBO J931777 - -
 0045069416 - 10-AUG-93 8%
 - - - - -
 - - - - -
 - - - - -

Selection value	CALVING EASE		MILK	CALF GRWTH.	MAINTENANCE	GROWTH TEST					FERTILITY			COW VALUE	GROWTH VALUE	PRODUCTION VALUE
	★	★	★★★★	★★★★	★	ADG	Kleiber	FCR	Length	Height	SC	AFC	ICP			
	65 ⁷⁹		120 ⁶⁶	120 ⁷⁸	66 ⁴²								115 ³²			
Birth wght	69	69	120	120	131	134	-	-	-	-	98	65	128	100 ⁵²	-	-
Birth Mat	3.07 ⁸¹	1.2 ⁶³	7.9 ⁶⁶	10.3 ⁷⁸	24.4 ⁶⁸	44 ⁴²	-	-	-	-	10.6 ⁵	30.2 ⁴⁴	-8.7 ²¹	In Vitro		
Breeding value index														Flushings/Embrios/Calves: 0/0/0		
Breeding value														Tests: -		
Weights/Index	36(7.1%)			235 (116)	206(121)	- (-)								Vacc. -		
Remarks:	Grootste koei in die kudde - grootste kallers maar gemiddeld net 6% van ma se gewig by geboorte. Dragtig by HBH12-43 om W2016 te kalf															

LOT 2

0442495, S.A. WELZ, POSBUS 521695, SAXONWOLD, 2132, (T)011-447 2858



Naam Ident. nommer Geslag Afdeling Reg. nommer Geboorte Datum
BLOMVLEI SW 040087 VROULIK SP 0049336407 23-OCT-04

04 87

DNS: -

BLOMVLEI SW 040087 - SP P
 0049336407 - 23-OCT-04 3%

OEK 35.9 TKP 399
 RI 104
 Oud. / Kalwers 11j. 5md. / 8
 Gem SI/Kalf: 96 / 8
 KALWINGS
 10/07 ,03/09 ,
 03/10 ,04/11 ,
 05/12 ,06/13 ,
 07/14 ,06/15

BLOMVLEI SW 010040 - SP -
 0045340163 - 22-OCT-01 6%

- LZ 970062 - SP -
 0042955435 - 21-OCT-97 1%

OEK - TKP 417
 RI 96 Gem SI/Kalf: 99 / 9
 Oud. / Kalwers 14j. 11md. / 9

BLOMVLEI SW 950010 - SP -
 0034222281 - 06-AUG-95 7%

BLOMVLEI SW 950025 - SP -
 0034854802 - 03-DEC-95 25%

OEK 33.6 TKP 441
 RI 99 Gem SI/Kalf: 98 / 7
 Oud. / Kalwers 11j. 9md. / 8

- LZ9041 - -
 0045077500 - 01-OCT-90 0%

- LZ916 - -
 0045077518 - 21-AUG-91 0%

OEK - TKP -
 RI - Gem SI/Kalf: / 0
 Oud. / Kalwers 24j. 7md. / -

LANGLYF AJR 880009 - SP -
 0017767930 - 03-JUL-88 6%
ZW BOOMERANG BG 900063 - SP -
 0028629038 - 07-NOV-90 4%
- J 922802 - SP -
 0033733973 - 26-JUN-92 11%
- J 911643 - SP -
 0033734062 - 23-OCT-91 16%
ZW BOOMERANG BG 850048 - SP -
 0046172862 - 17-OCT-85 3%
 - - - - -
 - - - - -
- LZ 880001 - SP -
 0046195467 - 28-MAR-88 0%
- LZ 880057 - SP -
 0046200283 - 03-NOV-88 1%

Seleksie waarde	KALF GEMAK		MELK	KALFGROEI	ONDERHOUD		GROEI TOETS					VRUGBAARHEID			KOEI WAARDE	GROEI WAARDE	PRODUKSIE WAARDE
	★★★★	★★★	★★★	★	★★★★	★★★★	GDT	Kleiber	VOV	Lengte	Hoogte	SO	OEK	TKP			
	126 ⁸²		99 ⁶⁹	62 ⁶⁰	159 ⁴²									95 ⁴⁴			
Geb gew	122	120	99	62	57	41	78	85	-	78	79	79	103	94	100 ⁵⁸	84 ²⁵	89 ⁵¹
Geb Mat	-1.15 ⁸⁴	-52 ⁶⁸	1.6 ⁶⁹	-10.3 ⁸⁰	-17.4 ⁶⁸	-53 ⁴²	25 ²²	85 ²²	-	5 ²⁶	1 ²⁸	1.9 ²⁷	-4.1 ⁵⁹	-3.29 ²⁹	In Vitro		
Melk															Spoelings/Embrios/Kalwers: 0/0/0		
Speen gew				193 (94)	144 (81)	- (-)									Toetse: -		
Naspeen															Inent. -		
Volw. gewig																	
Opmerkings:	Oupa was Vonkprop. Ma skaars LZ Insindi Zim bloedlyn. Dragtig by SW10-52 om W2016 te kalf																

LOT 3

0442495, S.A. WELZ, POSBUS 521695, SAXONWOLD, 2132, (T)011-447 2858



Name Ident. number Sex Section Reg. number Birth Date
BLOMVLEI SW 020005 FEMALE SP 0045859642 17-MAR-02

02 5

DNA: -

BLOMVLEI SW 020005 - SP
 0045859642 - 17-MAR-02 6%

AFC 31.1 ICP 431
 RI 102
 Age / Calves 14j. 0md. / 10
 Avg. Wt/Calv: 107 / 9
 CALVINGS
 10/04 ,04/06 ,
 05/07 ,04/08 ,
 05/09 ,06/10 ,
 11/11 ,11/12 ,
 05/14 ,06/15

- LB 950090 - SP
 0038911681 - 01-NOV-95 6%

ZW LEBAR LB9239 -- -
 0045056777 - 14-OCT-92 11%

ZW LEBAR LB90200 -- -
 0045055910 - 03-DEC-90 0%

AFC - ICP -
 RI - Avg. Wt/Calv: / 0
 Age / Calves 25j. 4md. / -

ZW BOOMERANG BG 790286 - A
 0045059433 - 30-NOV-79 4%

- DK 951462 - SP
 0039643671 - 29-APR-95 5%

AFC - ICP 379
 RI 103 Avg. Wt/Calv: 110 / 10
 Age / Calves 15j. 9md. / 10

- DK 921266 - SP
 0046239109 - 16-SEP-92 14%

AFC - ICP 555
 RI 86 Avg. Wt/Calv: / 0
 Age / Calves 23j. 7md. / 4

- LB810001 - SP
 0042955138 - 28-SEP-81 0%

- LB 860027 - SP
 0046179321 - 26-SEP-86 8%

- LB830096 - SP
 0042955153 - 20-DEC-83 0%

---- -
 ---- -

ZW GUYU GU 722469 - SP
 0044844058 - 20-JAN-73 8%

BOOMERANG BG 740118 - A
 0045059441 - 05-NOV-74 0%

ZW DONNINGTON DK 872653 - -
 0045059466 - 11-APR-87 15%

- DK 821361 - SP
 0046152484 - 30-SEP-82 0%

Selection value	CALVING EASE		MILK	CALF GRWTH	MAINTENANCE	GROWTH TEST					FERTILITY			COW VALUE	GROWTH VALUE	PRODUCTION VALUE	
	★★	★★★	★★★★	★★★★☆	★★	ADG	Kleiber	FCR	Length	Height	SC	AFC	ICP				★★★
	85 ₈₃		127 ₇₀	119 ₈₀	85 ₄₀									91 ₄₆			
Birth wght	Birth Mat	Milk	Wean wght	Post wean	Mature wght	ADG	Kleiber	FCR	Length	Height	SC	AFC	ICP				
Breeding value index	84	108	127	119	121	115	117	101	-	127	120	112	115	86	121 ₅₈	118 ₂₈	122 ₅₂
Breeding value	1.93 ₈₄	-12 ₇₀	10 ₇₀	10.1 ₈₀	18.5 ₇₁	24 ₄₀	141 ₂₃	22 ₂₃	-	47 ₃₁	25 ₃₄	16.9 ₃₃	-15 ₆₀	1.6 ₃₂	In Vitro		
Weights/Index	36(5.9%)			189 (102)	267(106)	307(108)									Flushings/Embrios/Calves: 0/0/0		
	Remarks: Lebar & Donnington ouers uit Zim. SI gemiddeld oor 10 kallers is 107. By bulle XY12-25 en SW10-18 om S2016 te kalf. Doen DNA														Vacc. -		

LOT 4

0442495, S.A. WELZ, POSBUS 521695, SAXONWOLD, 2132, (T)011-447 2858



Naam Ident. nommer Geslag Afdeling Reg. nommer Geboorte Datum
BLOMVLEI SW 040123 VROULIK SP 0049625304 02-DEC-04

04 0123

DNS: -

BLOMVLEI SW 040123 - SP
 0049625304 - 02-DEC-04 5%

OEK 33.4 TKP 404
 RI 105
 Oud. / Kalwers 11j. 4md. / 8
 Gem SI/Kalf: 110 / 8
 KALWINGS
 09/07 ,11/08 ,
 10/09 ,04/11 ,
 05/12 ,05/13 ,
 07/14 ,06/15

- ELK 940506 - SP
 0041181876 - 04-AUG-94 12%

ZW BOOMERANG BG 850108 - SP
 0022173868 - 17-DEC-85 9%

JAMBO J891331 -- -
 0045069705 - 03-SEP-89 13%

OEK - TKP -
 RI - Gem SI/Kalf: / 0
 Oud. / Kalwers 26j. 7md. / -

ZW BOOMERANG BG 810027 - SP
 0043568757 - 17-SEP-81 0%

ZW BOOMERANG BG 900039 - SP
 0028628998 - 11-OCT-90 1%

OEK 36.4 TKP 374
 RI 110 Gem SI/Kalf: 102 / 15
 Oud. / Kalwers 19j. 6md. / 15

ZW BOOMERANG BG 840132 - SP
 0046166294 - 06-OCT-84 14%

OEK 45.8 TKP 402
 RI 83 Gem SI/Kalf: / 0
 Oud. / Kalwers 31j. 6md. / 3

ZW GUYU GU 782187 - SP
 0043293034 - 30-OCT-78 10%

ZW BOOMERANG BG 780147 - A
 0044993228 - 30-SEP-78 4%

ZW GUYU GU 792125 - SP
 0009329525 - 22-NOV-79 19%

- J 811520 - SP
 0046147864 - 26-JUL-81 8%

ZW BOOMERANG BG 740033 - SP
 0044844082 - 12-OCT-74 0%

ZW BOOMERANG BG 730700 - A
 0044887099 - 01-OCT-73 0%

ZW BOOMERANG BG 790049 - SP
 0044844199 - 13-SEP-79 0%

ZW BOOMERANG BG 760219 - SP
 0046337135 - 26-NOV-76 0%

Seleksie waarde	KALF GEMAK		MELK	KALFGROEI	ONDERHOUD	GROEI TOETS					VRUGBAARHEID			KOEI WAARDE	GROEI WAARDE	PRODUKSIE WAARDE	
	★★	★★★	★★★★	★★★★☆	★★	GDT	Kleiber	VOV	Lengte	Hoogte	SO	OEK	TKP				★★★
	88 ₈₄		118 ₇₂	113 ₈₁	83 ₄₄									112 ₄₉			
Geb gew	Geb Mat	Melk	Speen gew	Naspeen	Volw. gewig	GDT	Kleiber	VOV	Lengte	Hoogte	SO	OEK	TKP				
Teeltwaarde index	85	120	118	113	114	117	100	91	-	106	99	126	102	112	114 ₆₁	97 ₃₈	105 ₅₆
Teeltwaarde	1.83 ₈₅	-51 ₇₁	7.3 ₇₂	7.8 ₈₁	14.7 ₇₅	27 ₄₄	91 ₃₄	10 ₃₄	-	28 ₃₉	12 ₄₁	23.4 ₄₁	-3 ₆₃	-4.9 ₃₅	In Vitro		
Gewig/Index	35(7.2%)			176 (109)	219(113)	313(119)									Spoelings/Embrios/Kalwers: 0/0/0		
	Opmerkings: SI gemiddeld oor 8 kallers is 110. Vaar Yampa P6; moeder BG90-39 ingevoer. Dragtig by XY12-25 of SW12-21 om W2016 te kalf. Doen DNA.														Inent. -		

LOT 5

0442495, S.A. WELZ, POSBUS 521695, SAXONWOLD, 2132, (T)011-447 2858



Name Ident. number Sex Section Reg. number Birth Date
BLOMVLEI SW 070093 FEMALE SP 0065466971 15-NOV-07

07 0093

DNA: -

BLOMVLEI SW 070093 - SP P
 0065466971 - 15-NOV-07 8%

AFC 34.8 ICP 373
 RI 108
 Age / Calves 8j. 5md. / 6
 Avg. Wt/Calv: 98 / 4
 CALVINGS
 10/10 ,10/11 ,
 11/12 ,10/13 ,
 12/14 ,11/15

MEGA M 040002 - SP P
 0048821524 - 14-MAR-04 5%

ZW BOOMERANG BG 940025 - SP -
 0036749745 - 04-OCT-94 3%

ZW BOOMERANG BG 980087 - SP -
 0044845733 - 22-OCT-98 6%

AFC 39.3 ICP 447
 RI 94 Avg. Wt/Calv: 108 / 4
 Age / Calves 17j. 5md. / 11

ZW BOOMERANG BG 920001 - SP -
 0034054650 - 11-NOV-92 7%

BLOMVLEI SW 990043 - SP -
 0042742403 - 29-NOV-99 4%

AFC 33.2 ICP 444
 RI 98 Avg. Wt/Calv: 110 / 11
 Age / Calves 16j. 4md. / 11

- DK 951462 - SP -
 0039643671 - 29-APR-95 5%

AFC - ICP 379
 RI 103 Avg. Wt/Calv: 110 / 10
 Age / Calves 15j. 9md. / 10

ZW BOOMERANG BG 880076 - SP -
 0034072850 - 07-DEC-88 1%

ZW BOOMERANG BG 900001 - SP -
 0046221602 - 16-OCT-90 4%

ZW BOOMERANG BG 930090 - SP -
 0044845303 - 01-JAN-94 7%

ZW BOOMERANG BG 930070 - SP -
 0044845287 - 01-JUL-93 0%

ZW BOOMERANG BG 880076 - SP -
 0034072850 - 07-DEC-88 1%

ZW BOOMERANG BG 810332 - B -
 0034072868 - 29-DEC-81 0%

ZW BOOMERANG BG 790286 - A -
 0045059433 - 30-NOV-79 4%

- DK 921266 - SP -
 0046239109 - 16-SEP-92 14%

Selection value	CALVING EASE		MILK		CALF GRWTH.		MAINTENANCE		GROWTH TEST					FERTILITY			COW VALUE	GROWTH VALUE	PRODUCTION VALUE
	★★★	★★★	★★★	★★★	★★★	★★★	★★★	★★★	ADG	Kleiber	FCR	Length	Height	SC	AFC	ICP			
	106 ₈₀	92 ₆₈	109 ₇₈	89 ₄₄												95 ₄₆	104 ₅₈	115 ₃₂	111 ₅₃
Birth wght	Birth Mat	Milk	Wean wght	Post wean	Mature wght														
107	87	92	109	107	111	120	123	-	115	120	118	91	97	118	91	97	104	115	111
0.03 ₈₂	.6 ₆₇	-5 ₆₈	6.5 ₇₈	10.5 ₇₂	21 ₄₄	151 ₂₈	50 ₂₈	-	36 ₃₃	25 ₃₅	19.8 ₃₅	6.6 ₆₀	-1.1 ₃₃						
Weights/Index																			
31(5.8%)			194 (128)	211(115)	295(110)														
Remarks: Uitstekende TKP. Loop by bul HBH12-43 om S2016 te kalv. Verkoop met Verskalf SW15-57 vaar SW10-18																			
In Vitro Tests: - Flushings/Embrios/Calves: 0/0/0 Vacc. -																			

LOT 6

0442495, S.A. WELZ, POSBUS 521695, SAXONWOLD, 2132, (T)011-447 2858



Naam Ident. nommer Geslag Afdeling Reg. nommer Geboorte Datum
BLOMVLEI SW 080013 VROULIK B 0066330895 22-APR-08

08 0013

DNS: -

BLOMVLEI SW 080013 - B H
 0066330895 - 22-APR-08 5%

OEK 44.1 TKP 356
 RI 99
 Oud. / Kalwers 7j. 11md. / 5
 Gem SI/Kalf: 98 / 4
 KALWINGS
 12/11 ,11/12 ,
 11/13 ,11/14 ,
 11/15

MEGA M 040002 - SP P
 0048821524 - 14-MAR-04 5%

ZW BOOMERANG BG 940025 - SP -
 0036749745 - 04-OCT-94 3%

ZW BOOMERANG BG 980087 - SP -
 0044845733 - 22-OCT-98 6%

OEK 39.3 TKP 447
 RI 94 Gem SI/Kalf: 108 / 4
 Oud. / Kalwers 17j. 5md. / 11

ZW BOOMERANG BG 970110 - SP -
 0044845550 - 03-DEC-97 8%

BLOMVLEI SW 021051 - A -
 0065549081 - 03-OCT-02 0%

OEK - TKP 445
 RI 98 Gem SI/Kalf: 89 / 1
 Oud. / Kalwers 13j. 6md. / 7

ZW BOOMERANG BG 880076 - SP -
 0034072850 - 07-DEC-88 1%

ZW BOOMERANG BG 900001 - SP -
 0046221602 - 16-OCT-90 4%

ZW BOOMERANG BG 930090 - SP -
 0044845303 - 01-JAN-94 7%

ZW BOOMERANG BG 930070 - SP -
 0044845287 - 01-JUL-93 0%

ZW BOOMERANG BG 930025 - SP -
 0037012291 - 12-NOV-93 4%

ZW BOOMERANG BG 890064 - SP -
 0043568807 - 14-NOV-89 4%

---- -
 --- -%

---- -
 --- -%

Gem SI/Kalf: -

Seleksie waarde	KALF GEMAK		MELK		KALFGROEI		ONDERHOUD		GROEI TOETS					VRUGBAARHEID			KOEI WAARDE	GROEI WAARDE	PRODUKSIE WAARDE
	★★★	★★★	★★★	★★★	★★★	★★★	★★★	★★★	GDT	Kleiber	VOV	Lengte	Hoogte	SO	OEK	TKP			
	97 ₇₈	92 ₆₄	98 ₇₆	92 ₄₁												90 ₄₂	85 ₅₅	103 ₃₁	95 ₅₀
Geb gew	Geb Mat	Melk	Speen gew	Naspeen	Volw. gewig														
101	63	92	98	98	108	105	115	-	98	103	104	90	92	104	90	92	85	103	95
.55 ₈₀	1.39 ₆₃	-.4 ₆₄	2.5 ₇₆	5.4 ₆₉	18 ₄₁	107 ₂₈	40 ₂₈	-	22 ₃₂	14 ₃₄	13.4 ₃₄	7.4 ₅₄	.1 ₂₉						
Gewig/Index																			
30(5.1%)			146 (89)	207 (96)	258(101)														
Opmerkings: Uitstekende TKP. Loop by HBH / SW13-05 om Somer 2016 te kalv. Doen DNA. Verkoop met Bulkalf SW15-58 vaar SW10-18																			
In Vitro Toetse: - Spoelings/Embrios/Kalwers: 0/0/0 Inent. -																			

LOT 7

0442495, S.A. WELZ, POSBUS 521695, SAXONWOLD, 2132, (T)011-447 2858



Name Ident. number Sex Section Reg. number Birth Date
BLOMVLEI SW 080012 FEMALE A 0072057805 20-APR-08

SW080012

DNA: -

BLOMVLEI SW 080012 - A -
 0072057805 - 20-APR-08 0%

AFC - ICP 415
 RI 105
 Age / Calves 7j. 11md. / 5
 Avg. Wt/Calf: 99 / 4
 CALVINGS
 04/11 ,10/12 ,
 10/13 ,10/14 ,
 11/15

MEGA M 040002 - SP P
 0048821524 - 14-MAR-04 5%

ZW BOOMERANG BG 940025 - SP -
 0036749745 - 04-OCT-94 3%

ZW BOOMERANG BG 980087 - SP -
 0044845733 - 22-OCT-98 6%

AFC 39.3 ICP 447
 RI 94 Avg. Wt/Calf: 108 / 4
 Age / Calves 17j. 5md. / 11

ZW BOOMERANG BG 880076 - SP -
 0034072850 - 07-DEC-88 1%

ZW BOOMERANG BG 900001 - SP -
 0046221602 - 16-OCT-90 4%

ZW BOOMERANG BG 930090 - SP -
 0044845303 - 01-JAN-94 7%

ZW BOOMERANG BG 930070 - SP -
 0044845287 - 01-JUL-93 0%

---- -
 --- -%

---- -
 --- -%

---- -
 --- -%

---- -
 --- -%

Avg. Wt/Calf:-

Avg. Wt/Calf: -

Selection value	CALVING EASE ☆☆		MILK ☆☆☆		CALF GRWTH. ☆☆☆☆		MAINTENANCE ☆☆☆		GROWTH TEST					FERTILITY ☆☆			COW VALUE	GROWTH VALUE ☆☆☆☆	PRODUCTION VALUE
	74 ⁶⁸	108 ⁵⁵	116 ⁶⁴	103 ²²	ADG		Kleiber	FCR	Length	Height	SC	AFC	ICP	86 ³²					
Birth wght	Birth Mat	Milk	Wean wght	Post wean	Mature wght	ADG	Kleiber	FCR	Length	Height	SC	AFC	ICP						
79	64	108	116	114	97	127	130	-	41 ³²	29 ³⁴	121	103	84						
2.29 ⁶⁹	1.36 ⁵⁴	4.2 ⁵⁵	8.9 ⁶⁴	14.4 ⁵⁴	5 ²²	173 ²⁹	59 ²⁹	-	-	-	20.9 ³³	-4.4 ⁴¹	2.3 ²²						
32			- (-)	- (-)	- (-)														
Remarks: Ma AngusXTuli. Loop by SW13-05/HBH12-43 om S2016 te kalf. Doen DNA. Verkoop met Verskalf SW15-47 vaar SW10-18														In Vitro Flushings/Embrios/Calves: 0/0/0 Tests: - Vacc. -					

LOT 8

0442495, S.A. WELZ, POSBUS 521695, SAXONWOLD, 2132, (T)011-447 2858



Naam Ident. nommer Geslag Afdeling Reg. nommer Geboorte Datum
BLOMVLEI SW 080058 VROULIK B 0067146282 29-SEP-08

08 0058

DNS: -

BLOMVLEI SW 080058 - B P
 0067146282 - 29-SEP-08 2%

OEK 35 TKP 384
 RI 105
 Oud. / Kalwers 7j. 6md. / 5
 Gem SI/Kalf: 94 / 3
 KALWINGS
 08/11 ,11/12 ,
 11/13 ,11/14 ,
 11/15

GENERAALSDRAAI H 030074 - SP -
 0048220511 - 23-OCT-03 5%

NONNIE CR 990035 - SP -
 0042514281 - 14-SEP-99 7%

GENERAALSDRAAI H 940065 - B -
 0033807272 - 21-DEC-94 0%

OEK 33.9 TKP 363
 RI 112 Gem SI/Kalf: 87 / 6
 Oud. / Kalwers 11j. 6md. / 8

NONNIE CR 960004 - SP -
 0036882744 - 29-JUL-96 7%

- J 941896 - SP
 0036749695 - 19-SEP-94 10%

ZW BOOMERANG BG 890060 - SP -
 0027888320 - 07-NOV-89 6%

GENERAALSDRAAI H 890039 - A -
 0028075976 - 01-AUG-89 0%

---- -
 --- -%

---- -
 --- -%

ZW BOOMERANG BG 810027 - SP -
 0043568757 - 17-SEP-81 0%

ZW BOOMERANG BG 840132 - SP -
 0046166294 - 06-OCT-84 14%

BLOMVLEI SW 030031 - A -
 0047516190 - 09-SEP-03 0%

OEK - TKP 386
 RI 111 Gem SI/Kalf: 92 / 2
 Oud. / Kalwers 8j. 10md. / 3

ZW BOOMERANG BG 900039 - SP -
 0028628998 - 11-OCT-90 1%

OEK 36.4 TKP 374
 RI 110 Gem SI/Kalf: 102 / 15
 Oud. / Kalwers 19j. 6md. / 15

Seleksie waarde	KALF GEMAK ☆☆☆		MELK ☆☆		KALFGROEI ☆☆☆		ONDERHOUD ☆☆☆		GROEI TOETS					VRUGBAARHEID ☆☆☆☆			KOEI WAARDE ☆☆	GROEI WAARDE ☆☆☆	PRODUKSIE WAARDE ☆☆☆
	91 ⁷⁸	85 ⁶²	100 ⁷⁵	97 ³⁰	GDT		Kleiber	VOV	Lengte	Hoogte	SO	OEK	TKP	128 ⁴⁰					
Geb gew	Geb Mat	Melk	Speen gew	Naspeen	Volw. gewig	GDT	Kleiber	VOV	Lengte	Hoogte	SO	OEK	TKP						
91	101	85	100	105	103	94	97	-	90	88	91	110	128						
1.37 ⁸⁰	.12 ⁶¹	-2.5 ⁶²	3.3 ⁷⁵	9.3 ⁶⁵	12 ³⁰	72 ²⁹	17 ²⁹	-	15 ³³	5 ³⁴	7.7 ³⁴	10.6 ⁵¹	-8.8 ³⁰						
28(5.7%)			180 (101)	173(104)	259(104)														
Opmerkings: Uitstekende TKP. Loop by XY12-25/SW10-18 om S2016 te kalf. Doen DNA. Verkoop met Verskalf SW15-52 vaar SW10-52														In Vitro Spoelings/Embrios/Kalwers: 0/0/0 Toetse: - Inent. -					

LOT 9

0442495, S.A. WELZ, POSBUS 521695, SAXONWOLD, 2132, (T)011-447 2858



Name Ident. number Sex Section Reg. number Birth Date
BLOMVLEI SW 080049 FEMALE SP 0067146233 16-SEP-08

08 0049

DNA: -

BLOMVLEI SW 080049 - SP P
 0067146233 - 16-SEP-08 10%

AFC 37 ICP 439
 RI 94
 Age / Calves 7j. 7md. / 4
 Avg. Wt/Calv: 98 / 4
 CALVINGS
 10/11 ,11/12 ,
 11/13 ,05/15

PULU PT 010037 - SP -
 0045340189 - 22-OCT-01 10%

BLOMVLEI SW 030012 - SP -
 0047197736 - 30-APR-03 8%

AFC 29.7 ICP 387
 RI 111 Avg. Wt/Calv: 87 / 6
 Age / Calves 9j. 5md. / 6

JAMBO J 942990 - SP -
 0035453182 - 06-JUL-94 12%

SIGIDI HKL 950008 - SP -
 0038230868 - 15-OCT-95 13%

AFC 28.5 ICP 391
 RI 111 Avg. Wt/Calv: 113 / 4
 Age / Calves 15j. 8md. / 12

- ELK 940506 - SP -
 0041181876 - 04-AUG-94 12%

BLOMVLEI SW 960004 - SP -
 0037212685 - 25-OCT-96 3%

AFC 35.3 ICP 400
 RI 105 Avg. Wt/Calv: 106 / 12
 Age / Calves 15j. 11md. / 12

- J900539 - SP -
 0035211713 - 31-AUG-90 14%

- J 911562 - SP -
 0033822289 - 04-JUL-91 9%

SIGIDI HKL 870425 - SP -
 0017683285 - 11-SEP-87 7%

SIGIDI HKL 920034 - SP -
 0032700866 - 20-NOV-92 6%

ZW BOOMERANG BG 850108 - SP -
 0022173868 - 17-DEC-85 9%

JAMBO J891331 - -
 0045069705 - 03-SEP-89 13%

- J 922802 - SP -
 0033733973 - 26-JUN-92 11%

ZW BOOMERANG BG 900039 - SP -
 0028628998 - 11-OCT-90 1%

Selection value	CALVING EASE ★★★		MILK ★★★		CALF GRWTH. ★★☆		MAINTENANCE ★★★★			GROWTH TEST					FERTILITY ★★★			COW VALUE ★★★	GROWTH VALUE ★	PRODUCTION VALUE ★★
	108 ₇₈	103 ₆₅	91 ₇₆	121 ₄₂	ADG	Kleiber	FCR	Length	Height	SC	AFC	ICP	108 ₄₆							
Birth wght	Birth Mat	Milk	Wean wght	Post wean	Mature wght															
107	98	103	91	96	79	74	77	-	76	75	93	118	104	109 ₅₇	77 ₃₃	89 ₅₂	In Vitro			
0.04 ₈₀	0.22 ₆₄	2.9 ₆₅	0.3 ₇₆	4.2 ₆₉	-13 ₄₂	14 ₃₀	-8 ₃₀	-	3 ₁₆	-2 ₁₉	8.3 ₃₇	-17.4 ₆₀	-2.8 ₃₂	Flushings/Embrios/Calves: 0/0/0						
26(5.5%)			156 (87)	158 (95)	232 (93)									Tests: -						
Remarks: Sigidi en P6 lyne. Dragtig by HBH12-43 om W2016 te kalf																	Vacc. -			

LOT 10

0442495, S.A. WELZ, POSBUS 521695, SAXONWOLD, 2132, (T)011-447 2858



Naam Ident. nommer Geslag Afdeling Reg. nommer Geboorte Datum
BLOMVLEI SW 080084 VROULIK SP 0067749184 07-NOV-08

08 0084

DNS: -

BLOMVLEI SW 080084 - SP H
 0067749184 - 07-NOV-08 10%

OEK 34.9 TKP 388
 RI 104
 Oud. / Kalwers 7j. 5md. / 4
 Gem SI/Kalf: 109 / 4
 KALWINGS
 10/11 ,11/12 ,
 11/13 ,12/14

PULU PT 010037 - SP -
 0045340189 - 22-OCT-01 10%

BLOMVLEI SW 010057 - SP -
 0045453909 - 16-NOV-01 9%

OEK 36.4 TKP 480
 RI 90 Gem SI/Kalf: 106 / 3
 Oud. / Kalwers 8j. 5md. / 4

JAMBO J 942990 - SP -
 0035453182 - 06-JUL-94 12%

SIGIDI HKL 950008 - SP -
 0038230868 - 15-OCT-95 13%

OEK 28.5 TKP 391
 RI 111 Gem SI/Kalf: 113 / 4
 Oud. / Kalwers 15j. 8md. / 12

- ELK 940506 - SP -
 0041181876 - 04-AUG-94 12%

- DK 971675 - SP -
 0042955583 - 14-AUG-97 7%

OEK - TKP 404
 RI 100 Gem SI/Kalf: 103 / 6
 Oud. / Kalwers 9j. 9md. / 6

- J900539 - SP -
 0035211713 - 31-AUG-90 14%

- J 911562 - SP -
 0033822289 - 04-JUL-91 9%

SIGIDI HKL 870425 - SP -
 0017683285 - 11-SEP-87 7%

SIGIDI HKL 920034 - SP -
 0032700866 - 20-NOV-92 6%

ZW BOOMERANG BG 850108 - SP -
 0022173868 - 17-DEC-85 9%

JAMBO J891331 - -
 0045069705 - 03-SEP-89 13%

ZW DONNINGTON DK 942351 - -
 0045077559 - 02-OCT-94 3%

- DK 941387 - SP -
 0046253282 - 24-AUG-94 2%

Seleksie waarde	KALF GEMAK ★★★		MELK ★★★☆☆		KALFGROEI ★★★☆☆		ONDERHOUD ★★★			GROEI TOETS					VRUGBAARHEID ★★★☆☆			KOEI WAARDE ★★★★★	GROEI WAARDE ★★★	PRODUKSIE WAARDE ★★★★
	106 ₇₈	118 ₆₆	110 ₇₇	104 ₄₁	GDT	Kleiber	VOV	Lengte	Hoogte	SO	OEK	TKP	112 ₄₆							
Geb gew	Geb Mat	Melk	Speen gew	Naspeen	Volw. gewig															
106	98	118	110	113	96	95	90	-	100	96	109	116	109	133 ₅₇	91 ₃₂	110 ₅₂	In Vitro			
0.16 ₈₀	0.23 ₆₄	7.4 ₆₆	6.9 ₇₇	14 ₆₉	5.41	76 ₂₉	9 ₂₉	-	24 ₁₄	10 ₁₇	15.8 ₃₆	-15.2 ₆₁	-4 ₃₂	Flushings/Embrios/Kalwers: 0/0/0						
30(6.5%)			149 (94)	198(101)	268(104)									Toetse: -						
Opmerkings: Uitstekende teelwaardes. Sigidi en P6 lyne. Dragtig by HBH12-43 om W2016 te kalf																	Inent. -			

LOT 11

0442495, S.A. WELZ, POSBUS 521695, SAXONWOLD, 2132, (T)011-447 2858



Name Ident. number Sex Section Reg. number Birth Date
BLOMVLEI SW 080085 FEMALE SP 0067749192 08-NOV-08

08 0085

DNA: -

BLOMVLEI SW 080085 - SP P
 0067749192 - 08-NOV-08 5%

AFC 35.3 ICP 434
 RI 97
 Age / Calves 7j. 5md. / 4
 Avg. Wt/Calv: 101 / 4
 CALVINGS
 10/11 ,11/12 ,
 12/13 ,05/15

PULU PT 010037 - SP
 0045340189 - 22-OCT-01 10%

JAMBO J 942990 - SP
 0035453182 - 06-JUL-94 12%

SIGIDI HKL 950008 - SP
 0038230868 - 15-OCT-95 13%

AFC 28.5 ICP 391
 RI 111 Avg. Wt/Calv: 113 / 4
 Age / Calves 15j. 8md. / 12

ZW BOOMERANG BG 950103 - SP
 0044845451 - 25-NOV-95 4%

- HT 990040 - SP
 0044845964 - 16-NOV-99 4%

AFC - ICP 378
 RI 109 Avg. Wt/Calv: 100 / 7
 Age / Calves 12j. 11md. / 9

- HT 910059 - SP
 0044844983 - 30-NOV-91 0%

AFC - ICP 349
 RI 111 Avg. Wt/Calv: / 0

- J900539 - SP
 0035211713 - 31-AUG-90 14%

- J 911562 - SP
 0033822289 - 04-JUL-91 9%

SIGIDI HKL 870425 - SP
 0017683285 - 11-SEP-87 7%

SIGIDI HKL 920034 - SP
 0032700866 - 20-NOV-92 6%

ZW BOOMERANG BG 880052 - SP
 0044844702 - 15-NOV-88 1%

ZW BOOMERANG BG 880103 - SP
 0044844777 - 21-FEB-89 4%

ZW BOOMERANG BG 830071 - SP
 0043293067 - 18-SEP-83 2%

- HT 870018 - SP
 0044844538 - 13-SEP-87 0%

Selection value	CALVING EASE ★★★★		MILK ★★★		CALF GRWTH. ★★		MAINTENANCE ★★★★			GROWTH TEST					FERTILITY ★★★			COW VALUE ★★★★	GROWTH VALUE ★★	PRODUCTION VALUE ★★★
	129 ₇₀	100 ₆₃	86 ₇₅	123 ₄₁			ADG	Kleiber	FCR	Length	Height	SC	AFC	ICP	100 ₄₆					
Birth wght	125	120	100	86	83	77	77	83	-	76	77	82	115	96	117 ₅₆	80 ₃₀	95 ₅₁			
Birth Mat	-1.35 ₇₂	-0.52 ₅₇	1.9 ₆₃	-1.6 ₇₅	-2.7 ₆₈	-16 ₄₁	21 ₂₇	-1 ₂₇	-	3 ₈	-1 ₁₁	3.5 ₃₃	-14.6 ₅₉	-3 ₃₂	In Vitro					
Weight/Index	25(5.9%)			142 (93)	178 (92)	253 (99)		-	-	-	-	-	-	-	Flushings/Embrios/Calves: 0/0/0					
Remarks: Besondere wye genetika. Loop by bul SW10-52 om S2016 te kalf. Vacc. -																				

LOT 12

0442495, S.A. WELZ, POSBUS 521695, SAXONWOLD, 2132, (T)011-447 2858



Naam Ident. nommer Geslag Afdeling Reg. nommer Geboorte Datum
BLOMVLEI SW 080062 VROULIK A 0072057847 30-SEP-08

SW080062

DNS: -

BLOMVLEI SW 080062 - A
 0072057847 - 30-SEP-08 0%

OEK - TKP 435
 RI 100
 Oud. / Kalwers 7j. 6md. / 4
 Gem SI/Kalf: 128 / 4
 KALWINGS
 10/11 ,11/12 ,
 12/13 ,05/15

MEGA M 030004 - SP P
 0048821201 - 23-FEB-03 10%

ZW BOOMERANG BG 940025 - SP
 0036749745 - 04-OCT-94 3%

ZW BOOMERANG BG 980107 - SP
 0044845782 - 07-NOV-98 3%

OEK 38.6 TKP 407
 RI 101 Gem SI/Kalf: 98 / 4
 Oud. / Kalwers 16j. 7md. / 9

ZW BOOMERANG BG 880076 - SP
 0034072850 - 07-DEC-88 1%

ZW BOOMERANG BG 900001 - SP
 0046221602 - 16-OCT-90 4%

ZW BOOMERANG BG 930025 - SP
 0037012291 - 12-NOV-93 4%

ZW BOOMERANG BG 930053 - SP
 0044845261 - 18-NOV-93 0%

Gem SI/Kalf: -

Seleksie waarde	KALF GEMAK ★★		MELK ★★★★★		KALFGROEI ★★★☆☆		ONDERHOUD ★★★			GROEI TOETS					VRUGBAARHEID ★★★☆☆			KOEI WAARDE	GROEI WAARDE ★★★★	PRODUKSIE WAARDE
	82 ₆₄	148 ₅₂	118 ₆₁	91 ₂₁	GDT	Kleiber	VOV	Lengte	Hoogte	SO	OEK	TKP	114 ₂₈							
Geb gew	83	95	148	118	116	109	130	124	-	127	126	114	126	108	-	-	-			
Geb Mat	1.97 ₆₆	.31 ₅₁	16.3 ₅₂	9.7 ₆₁	15.9 ₅₆	18 ₂₁	181 ₂₂	52 ₂₂	-	46 ₂₄	28 ₂₆	18 ₂₅	24.5 ₃₆	-3.7 ₁₉	In Vitro					
Teeltwaarde	29			- (-)	- (-)	- (-)		-	-	-	-	-	-	-	Spoelings/Embrios/Kalwers: 0/0/0					
Gewig/Indeks	Opmerkings: Moeder `n Bonsmara. Dragtig by XY12-25 /SW12-21 om W2016 te kalf. Doen DNA Toetse: - Inent. -																			

LOT 13

0442495, S.A. WELZ, POSBUS 521695, SAXONWOLD, 2132, (T)011-447 2858



Name Ident. number Sex Section Reg. number Birth Date
BLOMVLEI SW 080089 FEMALE B 0067749283 12-NOV-08

08 0089

DNA: -

BLOMVLEI SW 080089 - B P
 0067749283 - 12-NOV-08 1%
 AFC 35.2 ICP 445
 RI 96
 Age / Calves 7j. 5md. / 4
 Avg. Wt/Calv: 104 / 4
 CALVINGS
 10/11 ,11/12 ,
 11/13 ,06/15

MEGA M 030004 - SP P
 0048821201 - 23-FEB-03 10%

ZW BOOMERANG BG 940025 - SP -
 0036749745 - 04-OCT-94 3%

ZW BOOMERANG BG 880076 - SP -
 0034072850 - 07-DEC-88 1%
ZW BOOMERANG BG 900001 - SP -
 0046221602 - 16-OCT-90 4%

ZW BOOMERANG BG 980107 - SP -
 0044845782 - 07-NOV-98 3%

ZW BOOMERANG BG 930025 - SP -
 0037012291 - 12-NOV-93 4%
ZW BOOMERANG BG 930053 - SP -
 0044845261 - 18-NOV-93 0%

AFC 38.6 ICP 407
 RI 101 Avg. Wt/Calv: 98 / 4
 Age / Calves 16j. 7md. / 9

- J 960107 - SP -
 0041181660 - 13-AUG-96 2%

- LB93235 - SP -
 0038486445 - 14-DEC-93 1%

BUOWILL ASE 990053 - A -
 0042514471 - 24-OCT-99 0%

JAMBO J931777 --
 0045069416 - 10-AUG-93 8%

AFC 27.4 ICP 403
 RI 110 Avg. Wt/Calv: 103 / 7
 Age / Calves 11j. 7md. / 8

BUOWILL ASE 960005 - BS -
 0042274241 - 01-OCT-96 0%

---- -
 --- -%

AFC - ICP -
 RI - Avg. Wt/Calv: 88 / 1
 Age / Calves 3j. 7md. / 1

---- -
 --- -%

Selection value	CALVING EASE		MILK		CALF GRWTH.		MAINTENANCE		GROWTH TEST					FERTILITY			COW VALUE	GROWTH VALUE	PRODUCTION VALUE
	★★★	★★★☆☆	★★★☆☆	★★★☆☆	★★★☆☆	★★★☆☆	★★★☆☆	★★★☆☆	ADG	Kleiber	FCR	Length	Height	SC	AFC	ICP			
	107 ₇₈	117 ₆₆	83 ₇₇	105 ₄₃					95	100	-	91	89	89	111	116	108 ₅₇	98 ₂₄	102 ₅₀
Birth wght	Birth Mat	Milk	Wean wght	Post wean	Mature wght														
107	98	117	83	87	95	95	100	-	91	89	89	111	116	108	116	108	98	102	
0.8 ₈₀	.22 ₆₄	7 ₆₆	-2.7 ₇₇	-.7 ₆₉	3 ₄₃	75 ₂₁	21 ₂₁	-	16 ₂₄	7 ₂₆	6.5 ₂₆	11.4 ₅₆	-5.9 ₃₃	In Vitro					
32(8.7%)			151 (94)	191 (96)	272(104)									Flushings/Embrios/Calves: 0/0/0					
Remarks: Dragtig by HBH12-43 om W 2016 te kalf																Vacc. -			

LOT 14

0442495, S.A. WELZ, POSBUS 521695, SAXONWOLD, 2132, (T)011-447 2858



Naam Ident. nommer Geslag Afdeling Reg. nommer Geboorte Datum
BLOMVLEI SW 090022 VROULIK SP 0068916766 02-JUN-09

09 0022

DNS: -

BLOMVLEI SW 090022 - SP P
 0068916766 - 02-JUN-09 9%
 OEK 33.2 TKP 390
 RI 106
 Oud. / Kalwers 6j. 10md. / 4
 Gem SI/Kalf: 91 / 4
 KALWINGS
 03/12 ,05/13 ,
 05/14 ,05/15

NONNIE CR 010015 - SP P
 0044826162 - 25-JUL-01 12%

NONNIE CR 960004 - SP -
 0036882744 - 29-JUL-96 7%

ZW BOOMERANG BG 930086 - SP -
 0034054676 - 14-DEC-93 8%
NONNIE CR 930020 - SP -
 0029029931 - 26-OCT-93 3%

NONNIE CR 960001 - SP -
 0035540202 - 20-MAR-96 6%

ZW BOOMERANG BG 870021 - SP -
 0027558824 - 19-SEP-87 1%
NONNIE CR 920003 - SP -
 0027023613 - 04-AUG-92 4%

OEK 29.1 TKP 360
 RI 116 Gem SI/Kalf: 98 / 9
 Oud. / Kalwers 14j. 2md. / 11

ZW BOOMERANG BG 930025 - SP -
 0037012291 - 12-NOV-93 4%

ZW BOOMERANG BG 840221 - SP -
 0043293091 - 17-NOV-84 2%

ZW BOOMERANG BG 990058 - SP -
 0044846046 - 06-DEC-99 8%

ZW BOOMERANG BG 830154 - SP -
 0039595921 - 08-NOV-83 2%

OEK 40 TKP 410
 RI 101 Gem SI/Kalf: 93 / 11
 Oud. / Kalwers 15j. 2md. / 11

ZW BOOMERANG BG 930083 - SP -
 0044845295 - 31-DEC-93 5%

ZW BOOMERANG BG 850108 - SP -
 0022173868 - 17-DEC-85 9%

OEK 33.5 TKP 382
 RI 106 Gem SI/Kalf: / 0
 Oud. / Kalwers 17j. 5md. / 4

ZW BOOMERANG BG 830180 - SP -
 0044844389 - 14-NOV-83 1%

Seleksie waarde	KALF GEMAK		MELK		KALFGROEI		ONDERHOUD		GROEI TOETS					VRUGBAARHEID			KOEI WAARDE	GROEI WAARDE	PRODUKSIE WAARDE
	★★★	★★★☆☆	★★★☆☆	★★★☆☆	★★★☆☆	★★★☆☆	★★★☆☆	★★★☆☆	GDT	Kleiber	VOV	Lengte	Hoogte	SO	OEK	TKP			
	102 ₇₈	82 ₆₅	87 ₇₅	118 ₃₄					80	85	-	78	84	83	115	140	90 ₅₅	85 ₂₄	86 ₄₉
Geb gew	Geb Mat	Melk	Speen gew	Naspeen	Volw. gewig														
102	99	82	87	85	82	80	85	-	78	84	83	115	140	90	140	90	85	86	
.49 ₈₀	.18 ₆₅	-3.6 ₆₅	-1.3 ₇₅	-1.9 ₆₄	-11 ₃₄	30 ₂₁	2 ₂₁	-	5 ₂₅	3 ₂₇	4.1 ₂₈	-14.3 ₆₇	-11.9 ₃₄	In Vitro					
35(7.5%)			167 (100)	241(100)	241(100)									Spoelings/Embrios/Kalwers: 0/0/0					
Opmerkings: Dragtig by XY12-25 / SW12-21 om W2016 te kalf. Doen DNA																Inent. -			

LOT 15

0442495, S.A. WELZ, POSBUS 521695, SAXONWOLD, 2132, (T)011-447 2858



Name Ident. number Sex Section Reg. number Birth Date
BLOMVLEI SW 090030 FEMALE SP 0069362879 13-SEP-09

090030

DNA: -

BLOMVLEI SW 090030 - SP -
 0069362879 - 13-SEP-09 4%

AFC 36.9 ICP 476
 RI 89
 Age / Calves 6j. 7md. / 3
 Avg. Wt/Calv: 104 / 3
 CALVINGS
 10/12 ,11/13 ,
 05/15

MEGA M 030004 - SP P
 0048821201 - 23-FEB-03 10%

BLOMVLEI SW 060044 - B H
 0063613467 - 24-SEP-06 2%

AFC 35.6 ICP 388
 RI 101 Avg. Wt/Calv: 99 / 3
 Age / Calves 5j. 11md. / 3

ZW BOOMERANG BG 940025 - SP -
 0036749745 - 04-OCT-94 3%

ZW BOOMERANG BG 980107 - SP -
 0044845782 - 07-NOV-98 3%

AFC 38.6 ICP 407
 RI 101 Avg. Wt/Calv: 98 / 4
 Age / Calves 16j. 7md. / 9

NONNIE CR 010015 - SP P
 0044826162 - 25-JUL-01 12%

BUROWILL ASE 990056 - A -
 0042514505 - 24-OCT-99 0%

AFC 27.6 ICP 395
 RI 111 Avg. Wt/Calv: 105 / 9
 Age / Calves 12j. 11md. / 10

ZW BOOMERANG BG 880076 - SP -
 0034072850 - 07-DEC-88 1%

ZW BOOMERANG BG 900001 - SP -
 0046221602 - 16-OCT-90 4%

ZW BOOMERANG BG 930025 - SP -
 0037012291 - 12-NOV-93 4%

ZW BOOMERANG BG 930053 - SP -
 0044845261 - 18-NOV-93 0%

NONNIE CR 960004 - SP -
 0036882744 - 29-JUL-96 7%

NONNIE CR 960001 - SP -
 0035540202 - 20-MAR-96 6%

- J 960107 - SP -
 0041181660 - 13-AUG-96 2%

BUROWILL ASE 960014 - BS -
 0042274266 - 01-OCT-96 0%

Selection value	CALVING EASE ★★★		MILK ★★★★		CALF GRWTH. ★★★		MAINTENANCE ★★★★			GROWTH TEST					FERTILITY ★★★			COW VALUE ★★★	GROWTH VALUE ★★★	PRODUCTION VALUE ★★★
	101 ⁷⁷	113 ⁶⁴	90 ⁷⁵	110 ⁴¹	ADG	Kleiber	FCR	Length	Height	SC	AFC	ICP	108 ⁴⁴							
Birth wght	Birth Mat	Milk	Wean wght	Post wean	Mature wght															
102	93	113	90	97	90	90	94	-	88	88	87	109	106	106 ⁵⁵	94 ²³	99 ⁴⁹				
Breeding value index	.49 ⁷⁹	.4 ⁶²	5.9 ⁶⁴	-.3 ⁷⁵	5.2 ⁶⁹	-2 ⁴¹	61 ²⁰	13 ²⁰	-	14 ²⁴	6 ²⁶	5.9 ²⁶	-9.1 ⁵⁸	-3.3 ³⁰	In Vitro					
Breeding value															Flushings/Embrios/Calves: 0/0/0					
Weights/Index	26(7%)		170 (93)		209(105)		279 (97)								Tests: -					
Remarks:	Dragtig by HBH12-43 om W2016 te kalf														Vacc. -					

LOT 16

0442495, S.A. WELZ, POSBUS 521695, SAXONWOLD, 2132, (T)011-447 2858



Naam Ident. nommer Geslag Afdeling Reg. nommer Geboorte Datum
BLOMVLEI SW 090039 VROULIK SP 0069362952 26-SEP-09

090039

DNS: P3648/15

BLOMVLEI SW 090039 - SP -
 0069362952 - 26-SEP-09 5%

OEK 36.6 TKP 371
 RI 104
 Oud. / Kalwers 6j. 6md. / 4
 Gem SI/Kalf: 94 / 3
 KALWINGS
 10/12 ,11/13 ,
 10/14 ,10/15

MEGA M 030004 - SP P
 0048821201 - 23-FEB-03 10%

BLOMVLEI SW 980044 - SP -
 0041007907 - 31-OCT-98 5%

OEK 34.9 TKP 409
 RI 104 Gem SI/Kalf: 107 / 10
 Oud. / Kalwers 13j. 11md. / 10

ZW BOOMERANG BG 940025 - SP -
 0036749745 - 04-OCT-94 3%

ZW BOOMERANG BG 980107 - SP -
 0044845782 - 07-NOV-98 3%

OEK 38.6 TKP 407
 RI 101 Gem SI/Kalf: 98 / 4
 Oud. / Kalwers 16j. 7md. / 9

- LB 950090 - SP -
 0038911681 - 01-NOV-95 6%

BLOMVLEI SW 940006 - SP -
 0032407827 - 22-SEP-94 6%

OEK 36.4 TKP 410
 RI 102 Gem SI/Kalf: 92 / 9
 Oud. / Kalwers 12j. 9md. / 9

ZW BOOMERANG BG 880076 - SP -
 0034072850 - 07-DEC-88 1%

ZW BOOMERANG BG 900001 - SP -
 0046221602 - 16-OCT-90 4%

ZW BOOMERANG BG 930025 - SP -
 0037012291 - 12-NOV-93 4%

ZW BOOMERANG BG 930053 - SP -
 0044845261 - 18-NOV-93 0%

ZW LEBAR LB9239 --
 0045056777 - 14-OCT-92 11%

ZW LEBAR LB90200 --
 0045055910 - 03-DEC-90 0%

LANGLYF AJR 880009 - SP -
 0017767930 - 03-JUL-88 6%

ZW BOOMERANG BG 900044 - SP -
 0028629012 - 22-OCT-90 5%

Seleksie waarde	KALF GEMAK ★★★		MELK ★★★		KALFGROEI ★★★★		ONDERHOUD ★★			GROEI TOETS					VRUGBAARHEID ★★★			KOEI WAARDE ★★★	GROEI WAARDE ★★★	PRODUKSIE WAARDE ★★★
	100 ⁷⁸	92 ⁶⁶	110 ⁷⁷	76 ⁴²	GDT	Kleiber	VOV	Lengte	Hoogte	SO	OEK	TKP	101 ⁴⁴							
Geb gew	Geb Mat	Melk	Speen gew	Naspeen	Volw. gewig															
97	120	92	110	109	124	95	96	-	95	96	90	105	100	97 ⁵⁶	98 ²¹	97 ⁴⁹				
Teeltwaarde index	.84 ⁸⁰	-.52 ⁶⁴	-.6 ⁶⁶	6.9 ⁷⁷	11.8 ⁶⁹	35 ⁴²	75 ¹⁶	16 ¹⁸	-	20 ²²	10 ²⁴	7.3 ²⁴	-5.4 ⁵⁷	-1.8 ³¹	In Vitro					
Teeltwaarde															Spoelings/Embrios/Kalwers: 0/0/0					
Gewig/Index	30(5.8%)		211 (117)		236(118)		325(113)								Toetse: -					
Opmerkings:	Loop by bul SW10-52 om S2016 te kalf. Verkoop met bulkalf SW15-39 vaar SW10-52														Inent. -					

LOT 17

0442495, S.A. WELZ, POSBUS 521695, SAXONWOLD, 2132, (T)011-447 2858



Name Ident. number Sex Section Reg. number Birth Date
BLOMVLEI SW 090078 FEMALE B 0069593275 26-OCT-09

090078

DNA: -

BLOMVLEI SW 090078 - B
 0069593275 - 26-OCT-09 1%

AFC 35.7 ICP 375
 RI 104
 Age / Calves 6j. 5md. / 4
 Avg. Wt/Calv: 105 / 3
 CALVINGS
 10/12 ,10/13 ,
 11/14 ,11/15

MEGA M 030004 - SP P
 0048821201 - 23-FEB-03 10%

ZW BOOMERANG BG 940025 - SP -
 0036749745 - 04-OCT-94 3%

ZW BOOMERANG BG 980107 - SP -
 0044845782 - 07-NOV-98 3%

AFC 38.6 ICP 407
 RI 101 Avg. Wt/Calv: 98 / 4
 Age / Calves 16j. 7md. / 9

- J 960107 - SP -
 0041181660 - 13-AUG-96 2%

BUROWILL ASE 990053 - A -
 0042514471 - 24-OCT-99 0%

AFC 27.4 ICP 403
 RI 110 Avg. Wt/Calv: 103 / 7
 Age / Calves 11j. 7md. / 8

BUROWILL ASE 960005 - BS -
 0042274241 - 01-OCT-96 0%

AFC - ICP -
 RI - Avg. Wt/Calv: 88 / 1
 Age / Calves 3j. 7md. / 1

ZW BOOMERANG BG 880076 - SP -
 0034072850 - 07-DEC-88 1%

ZW BOOMERANG BG 900001 - SP -
 0046221602 - 16-OCT-90 4%

ZW BOOMERANG BG 930025 - SP -
 0037012291 - 12-NOV-93 4%

ZW BOOMERANG BG 930053 - SP -
 0044845261 - 18-NOV-93 0%

- LB93235 - SP -
 0038486445 - 14-DEC-93 1%

JAMBO J931777 --
 0045069416 - 10-AUG-93 8%

---- -
 --- -%

---- -
 --- -%

Selection value	CALVING EASE ★★		MILK ★★★★		CALF GRWTH. ★★★		MAINTENANCE ★★★		GROWTH TEST					FERTILITY ★★★★			COW VALUE ★★★	GROWTH VALUE ★★★	PRODUCTION VALUE ★★★	
	88 ₇₉	117 ₆₆	95 ₇₇	98 ₄₂	ADG	Kleiber	FCR	Length	Height	SC	AFC	ICP	120 ₄₄							
Birth wght	Birth Mat	Milk	Wean wght	Post wean	Mature wght															
89	95	117	95	98	102	99	103	-	96	93	92	108	119	104 ₅₆	100 ₂₄	102 ₅₀				
Breeding value index	1.5 ₈₁	.31 ₆₄	7 ₆₆	1.7 ₇₇	5.6 ₇₀	11 ₄₂	88 ₂₁	24 ₂₁	-	20 ₂₄	9 ₂₆	8.1 ₂₆	-8.5 ₅₅	-6.7 ₃₂	In Vitro					
Breeding value	Flushings/Embrios/Calves: 0/0/0																			
Weights/Index	34(9.6%)		177 (111)		216(108)		320(111)											Tests: -		
Remarks:	Loop by bul SW13-05 /SW10-52 om S2016 te kalf. Doen DNA. Verkoop met bulkalf SW15-55 vaar SW10-52																			
	Vacc. -																			

LOT 18

0442495, S.A. WELZ, POSBUS 521695, SAXONWOLD, 2132, (T)011-447 2858



Naam Ident. nommer Geslag Afdeling Reg. nommer Geboorte Datum
BLOMVLEI SW 090035 VROULIK SP 0069362929 19-SEP-09

090035

DNS: -

BLOMVLEI SW 090035 - SP -
 0069362929 - 19-SEP-09 5%

OEK 36.8 TKP 479
 RI 89
 Oud. / Kalwers 6j. 6md. / 3
 Gem SI/Kalf: 107 / 3
 KALWINGS
 10/12 ,10/13 ,
 05/15

HBH HBH 030739 - B PP
 0048040240 - 10-OCT-03 4%

ZW BOOMERANG BG 960053 - SP -
 0043293216 - 10-NOV-96 4%

HBH HBH 950103 - A -
 0035200708 - 27-OCT-95 6%

OEK 35.2 TKP 370
 RI 109 Gem SI/Kalf: 95 / 7
 Oud. / Kalwers 9j. 12md. / 7

NONNIE CR 010015 - SP P
 0044826162 - 25-JUL-01 12%

BLOMVLEI SW 050015 - SP P
 0060017902 - 10-APR-05 5%

OEK 36 TKP 430
 RI 97 Gem SI/Kalf: 99 / 4
 Oud. / Kalwers 7j. 6md. / 4

BLOMVLEI SW 960004 - SP -
 0037212685 - 25-OCT-96 3%

OEK 35.3 TKP 400
 RI 105 Gem SI/Kalf: 106 / 12
 Oud. / Kalwers 15j. 11md. / 12

ZW BOOMERANG BG 870120 - SP -
 0034072884 - 22-NOV-87 1%

ZW BOOMERANG BG 900016 - SP -
 0043293158 - 10-NOV-90 1%

WALTERTON SJB 870007 - SP -
 0013970975 - 18-APR-87 9%

HBH HBH 920029 - BS -
 0032335622 - 22-SEP-92 0%

NONNIE CR 960004 - SP -
 0036882744 - 29-JUL-96 7%

NONNIE CR 960001 - SP -
 0035540202 - 20-MAR-96 6%

- J 922802 - SP -
 0033733973 - 26-JUN-92 11%

ZW BOOMERANG BG 900039 - SP -
 0028628998 - 11-OCT-90 1%

Seleksie waarde	KALF GEMAK ★★★		MELK ★★★★		KALFGROEI ★★★		ONDERHOUD ★★★		GROEI TOETS					VRUGBAARHEID ★★			KOEI WAARDE ★★★	GROEI WAARDE ★★★	PRODUKSIE WAARDE ★★★	
	93 ₇₇	106 ₆₄	105 ₇₅	109 ₄₂	GDT	Kleiber	VOV	Lengte	Hoogte	SO	OEK	TKP	84 ₄₄							
Geb gew	Geb Mat	Melk	Speen gew	Naspeen	Volw. gewig															
93	100	106	105	102	91	96	89	-	103	108	103	106	81	104 ₅₅	99 ₃₂	101 ₅₀				
Teeltwaarde index	1.2 ₇₉	.16 ₆₃	3.8 ₆₄	5.2 ₇₅	8 ₆₈	-1.42 ₄₂	79 ₃₀	8 ₃₀	-	26 ₃₄	18 ₃₆	13.1 ₃₆	-6.3 ₅₇	2.9 ₃₁	In Vitro					
Teeltwaarde	Spoelings/Embrios/Kalwers: 0/0/0																			
Gewig/Index	31(7.5%)		189 (102)		211(104)		290 (99)											Toetse: -		
Opmerkings:	Ongewone ou genetica. Ultstekende teelwaardes. Dragtig by HBH12-43 om W2016 te kalf																			
	Inent. -																			

LOT 19

0442495, S.A. WELZ, POSBUS 521695, SAXONWOLD, 2132, (T)011-447 2858



Name **BLOMVLEI** Ident. number **SW 090043** Sex **FEMALE** Section **SP** Reg. number **0069469476** Birth Date **02-OCT-09**

09 0043

DNA: -

BLOMVLEI SW 090043 - SP -
0069469476 - 02-OCT-09 5%

AFC 36 ICP 406
RI 98
Age / Calves 6j. 6md. / 3
Avg. Wt/Calv: 93 / 1
CALVINGS
10/12, 11/13, 12/14

HBH HBH 030739 - B PP
0048040240 - 10-OCT-03 4%

BLOMVLEI SW 050010 - SP P
0049907660 - 07-APR-05 3%

AFC 36.9 ICP 633
RI 72 Avg. Wt/Calv: 108 / 3
Age / Calves 7j. 1md. / 3

ZW BOOMERANG BG 960053 - SP -
0043293216 - 10-NOV-96 4%

HBH HBH 950103 - A -
0035200708 - 27-OCT-95 6%

AFC 35.2 ICP 370
RI 109 Avg. Wt/Calv: 95 / 7
Age / Calves 9j. 12md. / 7

NONNIE CR 010015 - SP P
0044826162 - 25-JUL-01 12%

BLOMVLEI SW 010002 - SP -
0044554129 - 22-MAR-01 2%

AFC 30.5 ICP 483
RI 99 Avg. Wt/Calv: 81 / 3
Age / Calves 6j. 2md. / 3

ZW BOOMERANG BG 870120 - SP -
0034072884 - 22-NOV-87 1%

ZW BOOMERANG BG 900016 - SP -
0043293158 - 10-NOV-90 1%

WALTERTON SJB 870007 - SP -
0013970975 - 18-APR-87 9%

HBH HBH 920029 - BS -
0032335622 - 22-SEP-92 0%

NONNIE CR 960004 - SP -
0036882744 - 29-JUL-96 7%

NONNIE CR 960001 - SP -
0035540202 - 20-MAR-96 6%

- LZ 970053 - SP -
0042994640 - 12-OCT-97 1%

BLOMVLEI SW 960004 - SP -
0037212685 - 25-OCT-96 3%

Selection value	CALVING EASE ★★★★		MILK ★★★		CALF GRWTH. ★★★		MAINTENANCE ★★★★		GROWTH TEST					FERTILITY ★★			COW VALUE ★★★	GROWTH VALUE ★★★	PRODUCTION VALUE ★★★
	111 ⁷⁷	92 ⁶²	93 ⁷³	115 ²⁹									74 ⁴⁴						
Birth wght	Birth Mat	Milk	Wean wght	Post wean	Mature wght	ADG	Kleiber	FCR	Length	Height	SC	AFC	ICP	In Vitro					
109	106	92	93	92	85	91	87	-	97	103	98	105	70	95 ⁵²	96 ³²	95 ⁴⁸			
-.11 ⁷⁹	-.04 ⁶²	-.4 ⁶²	.8 ⁷³	2 ⁶⁶	-7 ²⁹	63 ³⁰	5 ³⁰	-	21 ³⁴	14 ³⁶	10.5 ³⁵	-5.8 ⁵⁶	5.7 ³¹	In Vitro					
Weights/Index														Flushings/Embrios/Calves: 0/0/0					
Remarks: Dragtig by HBH12-43 om W2016 te kalf														Tests: -					
														Vacc. -					

LOT 20

0442495, S.A. WELZ, POSBUS 521695, SAXONWOLD, 2132, (T)011-447 2858



Naam **BLOMVLEI** Ident. nommer **SW 090047** Geslag **VROULIK** Afdeling **B** Reg. nommer **0069469500** Geboorte Datum **03-OCT-09**

09 0047

DNS: -

BLOMVLEI SW 090047 - B -
0069469500 - 03-OCT-09 0%

OEK 32.1 TKP 359
RI 111
Oud. / Kalwers 6j. 6md. / 4
Gem SI/Kalf: 102 / 4
KALWINGS
06/12, 06/13, 06/14, 05/15

MEGA M 030004 - SP P
0048821201 - 23-FEB-03 10%

BLOMVLEI SW 940015 - A -
0033721127 - 01-AUG-94 0%

OEK - TKP 369
RI 115 Gem SI/Kalf: 106 / 14
Oud. / Kalwers 18j. 2md. / 15

ZW BOOMERANG BG 940025 - SP -
0036749745 - 04-OCT-94 3%

ZW BOOMERANG BG 980107 - SP -
0044845782 - 07-NOV-98 3%

OEK 38.6 TKP 407
RI 101 Gem SI/Kalf: 98 / 4
Oud. / Kalwers 16j. 7md. / 9

--- -%

--- -%

--- -%

--- -%

Gem SI/Kalf: -

ZW BOOMERANG BG 880076 - SP -
0034072850 - 07-DEC-88 1%

ZW BOOMERANG BG 900001 - SP -
0046221602 - 16-OCT-90 4%

ZW BOOMERANG BG 930025 - SP -
0037012291 - 12-NOV-93 4%

ZW BOOMERANG BG 930053 - SP -
0044845261 - 18-NOV-93 0%

--- -%

--- -%

--- -%

--- -%

--- -%

Seleksie waarde	KALF GEMAK ★★★★		MELK ★★★★		KALFGROEI ★★★★		ONDERHOUD ★★★		GROEI TOETS					VRUGBAARHEID ★★★★			KOEI WAARDE ★★★★	GROEI WAARDE ★★★★	PRODUKSIE WAARDE ★★★★
	97 ⁷⁸	114 ⁶⁶	116 ⁷⁷	95 ⁴³						144 ⁴⁴									
Geb gew	Geb Mat	Melk	Speen gew	Naspeen	Volw. gewig	GDT	Kleiber	VOV	Lengte	Hoogte	SO	OEK	TKP	In Vitro					
95	116	114	116	113	105	114	110	-	114	105	107	118	142	134 ⁵⁷	114 ²⁹	125 ⁵¹			
1.02 ⁸⁰	-.36 ⁶⁴	6.1 ⁶⁶	9.2 ⁷⁷	14.3 ⁷⁰	14.43	134 ²⁶	34 ²⁶	-	36 ³⁰	16 ³²	14.8 ³¹	-17.4 ⁵⁵	12.4 ³³	In Vitro					
Weights/Index														Spoelings/Embrios/Kalwers: 0/0/0					
Opmerkings: Moeder was Farmer's Weekly Tuli koei van die jaar. Dragtig by XY12-25 / SW12-21 om W2016 te kalf. Doen DNA														Toetse: -					
														Inent. -					

LOT 21

0442495, S.A. WELZ, POSBUS 521695, SAXONWOLD, 2132, (T)011-447 2858



Name Ident. number Sex Section Reg. number Birth Date
BLOMVLEI SW 090044 FEMALE SP 0069469484 02-OCT-09

09 0044

DNA: -

BLOMVLEI SW 090044 - SP -
 0069469484 - 02-OCT-09 5%

AFC 36.1 ICP 402
 RI 98
 Age / Calves 6j. 6md. / 3
 Avg. Wt/Calv: 102 / 3
 CALVINGS
 10/12, 10/13, 12/14

HBH HBH 030739 - B PP
 0048040240 - 10-OCT-03 4%

BLOMVLEI SW 010053 - SP -
 0045377892 - 10-NOV-01 3%

AFC 30.1 ICP 381
 RI 112 Avg. Wt/Calv: 106 / 10
 Age / Calves 14j. 5md. / 12

ZW BOOMERANG BG 960053 - SP -
 0043293216 - 10-NOV-96 4%

HBH HBH 950103 - A -
 0035200708 - 27-OCT-95 6%

AFC 35.2 ICP 370
 RI 109 Avg. Wt/Calv: 95 / 7
 Age / Calves 9j. 12md. / 7

- ELK 940506 - SP -
 0041181876 - 04-AUG-94 12%

BLOMVLEI SW 960001 - B -
 0037212651 - 18-OCT-96 0%

AFC 35.2 ICP 431
 RI 99 Avg. Wt/Calv: 110 / 7
 Age / Calves 11j. 3md. / 7

ZW BOOMERANG BG 870120 - SP -
 0034072884 - 22-NOV-87 1%

ZW BOOMERANG BG 900016 - SP -
 0043293158 - 10-NOV-90 1%

WALTERTON SJB 870007 - SP -
 0013970975 - 18-APR-87 9%

HBH HBH 920029 - BS -
 0032335622 - 22-SEP-92 0%

ZW BOOMERANG BG 850108 - SP -
 0022173868 - 17-DEC-85 9%

JAMBO J891331 - -
 0045069705 - 03-SEP-89 13%

BLOMVLEI SW 940001 - SP -
 0029429057 - 03-JAN-94 2%

BLOMVLEI SW 940015 - A -
 0033721127 - 01-AUG-94 0%

Selection value	CALVING EASE ★★		MILK ★★★		CALF GRWTH ★★★★		MAINTENANCE ★★		GROWTH TEST					FERTILITY ★★★			COW VALUE ★★★	GROWTH VALUE ★★★	PRODUCTION VALUE ★★★
	86 ₇₈	92 ₆₇	118 ₇₇	82 ₄₂						107 ₄₆									
Birth wght	Birth Mat	Milk	Wean wght	Post wean	Mature wght	ADG	Kleiber	FCR	Length	Height	SC	AFC	ICP	In Vitro					
Breeding value index	88	86	92	118	120	118	102	94	-	111	112	116	106	106	97 ₅₇	102 ₃₄	100 ₅₂		
Breeding value	1.58 ₈₀	.63 ₆₅	-.4 ₆₇	9.9 ₇₇	18.2 ₇₀	28 ₄₂	97 ₃₁	14 ₃₁	-	33 ₃₅	20 ₃₈	18.7 ₃₇	-6.8 ₆₀	-3.2 ₃₃	0/0/0				
Weights/Index	35(6.1%)			198 (105)	221(107)	305(103)		-	-	-	-	-	-	-	0/0/0				
Remarks:	Uitstekende moederlyn. Dragtig by HBH12-43 om W2016 te kalf																		
	Vacc. -																		

LOT 22

0442495, S.A. WELZ, POSBUS 521695, SAXONWOLD, 2132, (T)011-447 2858



Naam Ident. nommer Geslag Afdeling Reg. nommer Geboorte Datum
BLOMVLEI SW 090065 VROULIK SP 0069593143 16-OCT-09

090065

DNS: -

BLOMVLEI SW 090065 - SP -
 0069593143 - 16-OCT-09 6%

OEK 35.6 TKP 392
 RI 100
 Oud. / Kalwers 6j. 6md. / 3
 Gem SI/Kalf: 96 / 3
 KALWINGS
 10/12, 10/13, 11/14

HBH HBH 030739 - B PP
 0048040240 - 10-OCT-03 4%

BLOMVLEI SW 970011 - SP -
 0038881553 - 10-OCT-97 6%

OEK 35.4 TKP 371
 RI 111 Gem SI/Kalf: 101 / 12
 Oud. / Kalwers 14j. 12md. / 12

ZW BOOMERANG BG 960053 - SP -
 0043293216 - 10-NOV-96 4%

HBH HBH 950103 - A -
 0035200708 - 27-OCT-95 6%

OEK 35.2 TKP 370
 RI 109 Gem SI/Kalf: 95 / 7
 Oud. / Kalwers 9j. 12md. / 7

ZW BOOMERANG BG 940032 - SP -
 0036749752 - 11-OCT-94 3%

BLOMVLEI SW 930005 - SP -
 0029429016 - 10-NOV-93 5%

OEK 25.9 TKP 463
 RI 100 Gem SI/Kalf: 110 / 8
 Oud. / Kalwers 12j. 5md. / 8

ZW BOOMERANG BG 870120 - SP -
 0034072884 - 22-NOV-87 1%

ZW BOOMERANG BG 900016 - SP -
 0043293158 - 10-NOV-90 1%

WALTERTON SJB 870007 - SP -
 0013970975 - 18-APR-87 9%

HBH HBH 920029 - BS -
 0032335622 - 22-SEP-92 0%

ZW BOOMERANG BG 880076 - SP -
 0034072850 - 07-DEC-88 1%

ZW BOOMERANG BG 880090 - SP -
 0046203501 - 29-DEC-88 5%

- LB8985 - SP -
 0029378684 - 28-SEP-89 5%

ZW BOOMERANG BG 900044 - SP -
 0028629012 - 22-OCT-90 5%

Seleksie waarde	KALF GEMAK ★★★★		MELK ★★		KALFGROEI ★★★		ONDERHOUD ★★★		GROEI TOETS					VRUGBAARHEID ★★			KOEI WAARDE ★★★	GROEI WAARDE ★★★	PRODUKSIE WAARDE ★★★
	120 ₇₈	83 ₆₇	96 ₇₇	108 ₃₃						85 ₄₄									
Geb gew	Geb Mat	Melk	Speen gew	Naspeen	Volw. gewig	GDT	Kleiber	VOV	Lengte	Hoogte	SO	OEK	TKP	In Vitro					
Teeltwaarde index	118	108	83	96	92	92	90	-	98	101	92	102	83	99 ₅₅	96 ₃₄	97 ₅₁			
Teeltwaarde	-.79 ₈₀	-.13 ₆₄	-3.2 ₆₇	2 ₇₇	4.4 ₇₀	0 ₃₃	68 ₃₁	9 ₃₁	-	22 ₃₆	14 ₃₈	8 ₃₈	-2.6 ₅₈	2.4 ₃₁	0/0/0				
Gewig/Index	31(7.1%)			189 (102)	206(101)	293(100)		-	-	-	-	-	-	0/0/0					
Opmerkings:	Baie vrugbare moederlyn. Dragtig by HBH12-43 om W2016 te kalf																		
	Inent. -																		

LOT 23

0442495, S.A. WELZ, POSBUS 521695, SAXONWOLD, 2132, (T)011-447 2858



Name Ident. number Sex Section Reg. number Birth Date
BLOMVLEI SW 090073 FEMALE B 0069593226 25-OCT-09

090073

DNA: -

BLOMVLEI SW 090073 - B -
 0069593226 - 25-OCT-09 4%

AFC 35.4 ICP 377
 RI 104
 Age / Calves 6j. 5md. / 4
 Avg. Wt/Calv: 88 / 3
 CALVINGS
 10/12 ,10/13 ,
 10/14 ,11/15

NONNIE CR 010015 - SP P
 0044826162 - 25-JUL-01 12%

BLOMVLEI SW 040005 - A -
 0048348924 - 18-MAR-04 0%

AFC - ICP 369
 RI 115 Avg. Wt/Calv: 103 / 6
 Age / Calves 8j. 7md. / 6

NONNIE CR 960004 - SP -
 0036882744 - 29-JUL-96 7%

NONNIE CR 960001 - SP -
 0035540202 - 20-MAR-96 6%

AFC 29.1 ICP 360
 RI 116 Avg. Wt/Calv: 98 / 9
 Age / Calves 14j. 2md. / 11

BLOMVLEI SW 980043 - SP -
 0041159054 - 30-OCT-98 5%

AFC 34.5 ICP 423
 RI 101 Avg. Wt/Calv: 104 / 8
 Age / Calves 12j. 7md. / 8

ZW BOOMERANG BG 930086 - SP -
 0034054676 - 14-DEC-93 8%

NONNIE CR 930020 - SP -
 0029029931 - 26-OCT-93 3%

ZW BOOMERANG BG 870021 - SP -
 0027558824 - 19-SEP-87 1%

NONNIE CR 920003 - SP -
 0027023613 - 04-AUG-92 4%

- LB 950090 - SP -
 0038911681 - 01-NOV-95 6%

ZW BOOMERANG BG 900025 - SP -
 0028628972 - 25-OCT-90 3%

Selection value	CALVING EASE		MILK		CALF GRWTH.		MAINTENANCE		GROWTH TEST					FERTILITY			COW VALUE	GROWTH VALUE	PRODUCTION VALUE
	☆☆	☆☆	☆☆	☆☆	☆☆	☆☆	☆☆	☆☆	☆☆	☆☆	☆☆	☆☆	☆☆	☆☆	☆☆	☆☆			
	74 ₇₉	88 ₆₆	103 ₇₇	101 ₄₃											143 ₄₆	☆☆	☆☆	☆☆	
Birth wght	76	89	88	103	113	99	89	90	-	88	89	86	112	143		☆☆	☆☆	☆☆	
Birth Mat	2.57 ₈₁	.51 ₆₄	-1.6 ₆₆	4.6 ₇₇	13.7 ₇₁	7 ₄₃	58 ₁₉	9 ₁₉	-	14 ₂₃	6 ₂₄	5.4 ₂₄	11.9 ₅₈	12.7 ₃₄		In Vitro			
Birth Mat	36(7.6%)			200 (106)	198 (93)	294 (99)										Flushings/Embrios/Calves: 0/0/0			
Remarks:	Loop by bul XY12-25 / SW10-18 om S2016 te kalf. Doen DNA. Verkoop met verskalf SW15-48 vaar SW10-18															Vacc. -			

LOT 24

0442495, S.A. WELZ, POSBUS 521695, SAXONWOLD, 2132, (T)011-447 2858



Naam Ident. nommer Geslag Afdeling Reg. nommer Geboorte Datum
BLOMVLEI SW 090098 VROULIK B 0070007646 28-DEC-09

090098

DNS: -

BLOMVLEI SW 090098 - B -
 0070007646 - 28-DEC-09 1%

OEK 33.3 TKP 372
 RI 108
 Oud. / Kalwers 6j. 3md. / 4
 Gem SI/Kalf: 113 / 1
 KALWINGS
 10/12 ,10/13 ,
 12/14 ,10/15

MEGA M 030004 - SP P
 0048821201 - 23-FEB-03 10%

BLOMVLEI SW 040075 - A H
 0049135528 - 07-OCT-04 0%

OEK - TKP 454
 RI 96 Gem SI/Kalf: 106 / 6
 Oud. / Kalwers 11j. 6md. / 7

ZW BOOMERANG BG 940025 - SP -
 0036749745 - 04-OCT-94 3%

ZW BOOMERANG BG 980107 - SP -
 0044845782 - 07-NOV-98 3%

OEK 38.6 TKP 407
 RI 101 Gem SI/Kalf: 98 / 4
 Oud. / Kalwers 16j. 7md. / 9

BUROWILL ASE 990042 - A -
 0042471466 - 07-OCT-99 0%

OEK 28.7 TKP 424
 RI 104 Gem SI/Kalf: 110 / 10
 Oud. / Kalwers 16j. 3md. / 12

ZW BOOMERANG BG 880076 - SP -
 0034072850 - 07-DEC-88 1%

ZW BOOMERANG BG 900001 - SP -
 0046221602 - 16-OCT-90 4%

ZW BOOMERANG BG 930025 - SP -
 0037012291 - 12-NOV-93 4%

ZW BOOMERANG BG 930053 - SP -
 0044845261 - 18-NOV-93 0%

- J 960107 - SP -
 0041181660 - 13-AUG-96 2%

BUROWILL ASE 960016 - BS -
 0042274274 - 01-OCT-96 0%

Seleksie waarde	KALF GEMAK		MELK		KALFGROEI		ONDERHOUD		GROEI TOETS					VRUGBAARHEID			KOEI WAARDE	GROEI WAARDE	PRODUKSIE WAARDE
	☆☆	☆☆	☆☆	☆☆	☆☆	☆☆	☆☆	☆☆	☆☆	☆☆	☆☆	☆☆	☆☆	☆☆	☆☆	☆☆			
	69 ₇₈	115 ₆₂	120 ₇₄	79 ₃₅											129 ₄₂	☆☆	☆☆	☆☆	
Geb gew	70	97	115	120	123	121	108	107	-	108	103	95	96	133		☆☆	☆☆	☆☆	
Geb Mat	3.01 ₈₀	.25 ₆₂	6.5 ₆₂	10.6 ₇₄	19.8 ₆₇	31 ₃₅	115 ₂₁	29 ₂₁	-	30 ₂₄	15 ₂₅	9.2 ₂₅	2.2 ₅₃	-10 ₃₁		In Vitro			
Teeltwaarde	40(7.1%)			184 (112)	204 (97)	309(104)										Spoeings/Embrios/Kalwers: 0/0/0			
Gewig/Indeks	Opmerkings: Loop by bul HBH12-43 om S2016 te kalf. Verkoop met bulkalf 15-37 vaar SW10-18															Inent. -			

LOT 27

0442495, S.A. WELZ, POSBUS 521695, SAXONWOLD, 2132, (T)011-447 2858



Name **BLOMVLEI** Ident. number **SW 120035** Sex **FEMALE** Section **SP** Reg. number **0076047737** Birth Date **06-OCT-12**

12 0035

DNA: -

BLOMVLEI SW 120035 - SP **H**
0076047737 - 06-OCT-12 **6%**
AFC **35.5** ICP -
RI **92**
Age / Calves **3j. 6md. / 1**
Avg. Wt/Calv: **/ 0**
CALVINGS
09/15

BLOMVLEI SW 080043 - SP **P**
0068334176 - 19-AUG-08 **4%**

BLOMVLEI SW 070029 - SP **H**
0066579004 - 26-MAY-07 **6%**

AFC **34.6** ICP **407**
RI **103** Avg. Wt/Calv: **91 / 5**
Age / Calves **8j. 10md. / 6**

NONNIE CR 010015 - SP **P**
0044826162 - 25-JUL-01 **12%**

- LB 950058 - SP -
0039643572 - 23-OCT-95 **4%**

AFC - ICP **481**
RI **91** Avg. Wt/Calv: **111 / 8**
Age / Calves **15j. 3md. / 8**

- DK 952394 - SP -
0039643861 - 04-MAY-95 **3%**

ZW BOOMERANG BG 900063 - SP -
0028629038 - 07-NOV-90 **4%**

AFC **36.2** ICP **395**
RI **106** Avg. Wt/Calv: **109 / 12**
Age / Calves **16j. 6md. / 12**

NONNIE CR 960004 - SP -
0036882744 - 29-JUL-96 **7%**

NONNIE CR 960001 - SP -
0035540202 - 20-MAR-96 **6%**

ZW LEBAR LB9239 -- -
0045056777 - 14-OCT-92 **11%**

- LB 870127 - SP -
0046193637 - 23-NOV-87 **0%**

ZW BOOMERANG BG 790286 - A -
0045059433 - 30-NOV-79 **4%**

- DK 921254 - SP -
0046238598 - 21-AUG-92 **4%**

ZW BOOMERANG BG 840221 - SP -
0043293091 - 17-NOV-84 **2%**

ZW BOOMERANG BG 860044 - A -
0044876548 - 20-DEC-86 **5%**

Selection value	CALVING EASE ★★★★		MILK ★★★		CALF GRWTH. ★★★		MAINTENANCE ★★★★			GROWTH TEST					FERTILITY ★★★			COW VALUE ★★★★	GROWTH VALUE	PRODUCTION VALUE
	116 ₇₅	103 ₆₀	90 ₇₁	117 ₂₄						ADG	Kleiber	FCR	Length	Height	SC	AFC	ICP			
Birth wght	Birth Mat	Milk	Wean wght	Post wean	Mature wght	ADG	Kleiber	FCR	Length	Height	SC	AFC	ICP	In Vitro						
113	134	103	90	88	83	96	99	-	96	101	97	106	100	112 ₄₈			-	-		
-.43 ₇₇	-.98 ₆₁	2.9 ₆₀	-.3 ₇₁	-.1 ₆₄	-9 ₂₄	80 ₁₂	19 ₁₂	-	20 ₁₆	13 ₁₉	10 ₂₀	-6.6 ₅₄	-1.9 ₂₁	Flushings/Embrios/Calves: 0/0/0						
Weights/Index														Tests: -						
Remarks:														Vacc. -						
Loop by bul SW13-05 om S2016 te kalf. Verkoop met bulkalf SW15-32 vaar XY / SW12-21. Doen DNA																				

LOT 28

0442495, S.A. WELZ, POSBUS 521695, SAXONWOLD, 2132, (T)011-447 2858



Naam **BLOMVLEI** Ident. nommer **SW 120036** Geslag **VROULIK** Afdeling **SP** Reg. nommer **0076047745** Geboorte Datum **07-OCT-12**

12 0036

DNS: -

BLOMVLEI SW 120036 - SP **P**
0076047745 - 07-OCT-12 **5%**
OEK **36.8** TKP -
RI **88**
Oud. / Kalwers **3j. 6md. / 1**
Gem SI/Kalf: **/ 0**
KALWINGS
11/15

BLOMVLEI SW 080008 - SP **P**
0066297607 - 15-APR-08 **6%**

BLOMVLEI SW 090073 - B -
0069593226 - 25-OCT-09 **4%**

OEK **35.4** TKP **377**
RI **104** Gem SI/Kalf: **88 / 3**
Oud. / Kalwers **6j. 5md. / 4**

PISIRI PS 020118 - SP -
0047280979 - 24-SEP-02 **11%**

ZW BOOMERANG BG 990101 - SP -
0044846087 - 10-DEC-99 **7%**

OEK **35.3** TKP **419**
RI **102** Gem SI/Kalf: **92 / 11**
Oud. / Kalwers **16j. 4md. / 12**

NONNIE CR 010015 - SP **P**
0044826162 - 25-JUL-01 **12%**

BLOMVLEI SW 040005 - A -
0048348924 - 18-MAR-04 **0%**

OEK - TKP **369**
RI **115** Gem SI/Kalf: **103 / 6**
Oud. / Kalwers **8j. 7md. / 6**

SIGIDI HKL 972004 - SP -
0040707440 - 25-NOV-97 **7%**

LARYN JM 940042 - SP -
0032701526 - 28-OCT-94 **9%**

ZW BOOMERANG BG 930025 - SP -
0037012291 - 12-NOV-93 **4%**

ZW BOOMERANG BG 890115 - SP -
0044844918 - 05-JAN-90 **3%**

NONNIE CR 960004 - SP -
0036882744 - 29-JUL-96 **7%**

NONNIE CR 960001 - SP -
0035540202 - 20-MAR-96 **6%**

---- -
- - - - -

BLOMVLEI SW 980043 - SP -
0041159054 - 30-OCT-98 **5%**

Seleksie waarde	KALF GEMAK ★★		MELK ★★		KALFGROEI ★★★		ONDERHOUD ★★★★			GROEI TOETS					VRUGBAARHEID ★★★★			KOEI WAARDE ★★	GROEI WAARDE	PRODUKSIE WAARDE
	74 ₇₃	80 ₅₈	103 ₇₁	102 ₂₄						GDT	Kleiber	VOV	Lengte	Hoogte	SO	OEK	TKP			
Geb gew	Geb Mat	Melk	Speen gew	Naspeen	Volw. gewig	GDT	Kleiber	VOV	Lengte	Hoogte	SO	OEK	TKP	In Vitro						
75	96	80	103	105	98	89	92	-	90	95	92	97	131	73 ₄₇			-	-		
2.63 ₇₅	.29 ₅₅	-4.2 ₅₈	4.5 ₇₁	9.8 ₆₄	7 ₂₄	59 ₁₂	11 ₁₂	-	15 ₁₆	10 ₁₉	8 ₁₉	1.7 ₅₂	-9.7 ₁₈	Spoelings/Embrios/Kalwers: 0/0/0						
Gewig/Index														Toetse: -						
Opmerkings:														Inent. -						
Loop by XY12-25 / SW10-18 om S2016 te kalf. Doen DNA. Verkoop met Verskalf SW15-41 vaar XY12-25 / SW12-21. Doen DNA.																				

LOT 29

0442495, S.A. WELZ, POSBUS 521695, SAXONWOLD, 2132, (T)011-447 2858



Name Ident. number Sex Section Reg. number Birth Date
BLOMVLEI SW 120034 FEMALE SP 0076047729 05-OCT-12

12 0034

DNA: -

BLOMVLEI SW 120034 - SP P
 0076047729 - 05-OCT-12 4%

AFC 37.1 ICP -
 RI 87
 Age / Calves 3j. 6md. / 1
 Avg. Wt/Calv: / 0
 CALVINGS
 11/15

BLOMVLEI SW 060039 - SP P
 0063613590 - 02-SEP-06 4%

BLOMVLEI SW 090044 - SP -
 0069469484 - 02-OCT-09 5%

AFC 36.1 ICP 402
 RI 98 Avg. Wt/Calv: 102 / 3
 Age / Calves 6j. 6md. / 3

MOTSWIRI AJB 020021 - B -
 0046814281 - 24-SEP-02 5%

- HT 990005 - SP -
 0044845857 - 16-MAY-99 2%

AFC - ICP 433
 RI 93 Avg. Wt/Calv: 100 / 7
 Age / Calves 12j. 12md. / 7

HBH HBH 030739 - B PP
 0048040240 - 10-OCT-03 4%

BLOMVLEI SW 010053 - SP -
 0045377892 - 10-NOV-01 3%

AFC 30.1 ICP 381
 RI 112 Avg. Wt/Calv: 106 / 10
 Age / Calves 14j. 5md. / 12

ZW BOOMERANG BG 950027 - SP -
 0043247139 - 04-NOV-95 3%

MOTSWIRI AJB 960101 - A -
 0042274480 - 10-OCT-96 0%

ZW BOOMERANG BG 950103 - SP -
 0044845451 - 25-NOV-95 4%

- HT 950030 - SP -
 0044845428 - 21-NOV-95 0%

ZW BOOMERANG BG 960053 - SP -
 0043293216 - 10-NOV-96 4%

HBH HBH 950103 - A -
 0035200708 - 27-OCT-95 6%

- ELK 940506 - SP -
 0041181876 - 04-AUG-94 12%

BLOMVLEI SW 960001 - B -
 0037212651 - 18-OCT-96 0%

Selection value	CALVING EASE ★★★		MILK ★★★		CALF GRWTH. ★★★		MAINTENANCE ★★★		GROWTH TEST					FERTILITY ★★★			COW VALUE	GROWTH VALUE	PRODUCTION VALUE
	105 ₇₅	99 ₆₂	107 ₇₃	93 ₂₆						94 ₃₈									
Birth wght	Birth Mat	Milk	Wean wght	Post wean	Mature wght	ADG	Kleiber	FCR	Length	Height	SC	AFC	ICP	★★★	★★★	★★★			
Breeding value index	104	105	99	107	109	107	110	111	-	110	108	114	103	93	107 ₄₉	106 ₂₆	107 ₄₄		
Breeding value	.29 ₇₇	-.02 ₆₁	1.5 ₆₂	5.7 ₇₃	11.5 ₆₆	16 ₂₆	122 ₂₃	35 ₂₃	-	32 ₂₄	18 ₂₆	18 ₂₉	-3.7 ₅₆	0 ₂₀	In Vitro				
Weights/Index	25(6.3%)			175 (112)	163(107)	264(105)			-	-	-	-	-		Flushings/Embrios/Calves: 0/0/0				
Remarks:	Loop by SW10-52 om S2016 te kalf. Verkoop met bulkalf SW15-45 vaar XY12-25 / SW12-21. Doen DNA														Vacc. -				

LOT 30

0442495, S.A. WELZ, POSBUS 521695, SAXONWOLD, 2132, (T)011-447 2858



Naam Ident. nommer Geslag Afdeling Reg. nommer Geboorte Datum
BLOMVLEI SW 120029 VROULIK SP 0076047679 01-OCT-12

12 0029

DNS: -

BLOMVLEI SW 120029 - SP H
 0076047679 - 01-OCT-12 4%

OEK 37 TKP -
 RI 88
 Oud. / Kalwers 3j. 6md. / 1
 Gem SI/Kalf: / 0
 KALWINGS
 10/15

BLOMVLEI SW 080043 - SP P
 0068334176 - 19-AUG-08 4%

BLOMVLEI SW 070059 - B P
 0065616211 - 01-OCT-07 2%

OEK 33 TKP 386
 RI 108 Gem SI/Kalf: 102 / 5
 Oud. / Kalwers 8j. 6md. / 6

NONNIE CR 010015 - SP P
 0044826162 - 25-JUL-01 12%

- LB 950058 - SP -
 0039643572 - 23-OCT-95 4%

OEK - TKP 481
 RI 91 Gem SI/Kalf: 111 / 8
 Oud. / Kalwers 15j. 3md. / 8

PISIRI PS 020118 - SP -
 0047280979 - 24-SEP-02 11%

BUROWILL ASE 990056 - A -
 0042514505 - 24-OCT-99 0%

OEK 27.6 TKP 395
 RI 111 Gem SI/Kalf: 105 / 9
 Oud. / Kalwers 12j. 11md. / 10

NONNIE CR 960004 - SP -
 0036882744 - 29-JUL-96 7%

NONNIE CR 960001 - SP -
 0035540202 - 20-MAR-96 6%

ZW LEBAR LB9239 --
 0045056777 - 14-OCT-92 11%

- LB 870127 - SP -
 0046193637 - 23-NOV-87 0%

SIGIDI HKL 972004 - SP -
 0040707440 - 25-NOV-97 7%

LARYN JM 940042 - SP -
 0032701526 - 28-OCT-94 9%

- J 960107 - SP -
 0041181660 - 13-AUG-96 2%

BUROWILL ASE 960014 - BS -
 0042274266 - 01-OCT-96 0%

Seleksie waarde	KALF GEMAK ★★★		MELK ★★★		KALFGROEI ★★★		ONDERHOUD ★★★		GROEI TOETS					VRUGBAARHEID ★★★			KOEI WAARDE	GROEI WAARDE	PRODUKSIE WAARDE
	95 ₇₄	104 ₆₁	107 ₇₂	93 ₂₃						113 ₃₆									
Geb gew	Geb Mat	Melk	Speen gew	Naspeen	Volw. gewig	GDT	Kleiber	VOV	Lengte	Hoogte	SO	OEK	TKP	★★★	★★★	★★★			
Teeltwaarde index	93	114	104	107	102	107	101	98	-	105	108	108	92	116	106 ₄₇	-	-		
Teeltwaarde	1.2 ₇₆	-.3 ₆₀	3 ₆₁	5.7 ₇₂	7.9 ₆₅	16 ₂₃	95 ₁₂	19 ₁₂	-	28 ₁₆	18 ₁₈	15.3 ₁₈	5.7 ₅₂	-5.9 ₁₉	In Vitro				
Gewig/Index	30(6.1%)			161 (97)	167(106)	262(102)			-	-	-	-			Spoelings/Embrios/Kalwers: 0/0/0				
Opmerkings:	Loop by SW10-52 p, S2016 te kalf. Verkoop met verskalf SW15-40 vaar XY12-25 / SW12/21														Inent. -				

LOT 31

0442495, S.A. WELZ, POSBUS 521695, SAXONWOLD, 2132, (T)011-447 2858



Name Ident. number Sex Section Reg. number Birth Date
BLOMVLEI SW 120020 FEMALE SP 0075475731 28-MAY-12

12 0020

DNA: -

BLOMVLEI SW 120020 - SP P
 0075475731 - 28-MAY-12 10%
 AFC 41.8 ICP -
 RI 73
 Age / Calves 3j. 10md. / 1
 Avg. Wt/Calv: / 0
 CALVINGS
 11/15

BLOMVLEI SW 080043 - SP P
 0068334176 - 19-AUG-08 4%

BLOMVLEI SW 090050 - B -
 0069469534 - 04-OCT-09 3%

AFC 31.8 ICP 410
 RI 104 Avg. Wt/Calv: 111 / 2
 Age / Calves 6j. 6md. / 2

NONNIE CR 010015 - SP P
 0044826162 - 25-JUL-01 12%

- LB 950058 - SP -
 0039643572 - 23-OCT-95 4%

AFC - ICP 481
 RI 91 Avg. Wt/Calv: 111 / 8
 Age / Calves 15j. 3md. / 8

MEGA M 030004 - SP P
 0048821201 - 23-FEB-03 10%

BLOMVLEI SW 060060 - A -
 0067874990 - 16-OCT-06 0%

AFC - ICP 378
 RI 113 Avg. Wt/Calv: 111 / 2
 Age / Calves 5j. 7md. / 3

NONNIE CR 960004 - SP -
 0036882744 - 29-JUL-96 7%

NONNIE CR 960001 - SP -
 0035540202 - 20-MAR-96 6%

ZW LEBAR LB9239 - - -
 0045056777 - 14-OCT-92 11%

- LB 870127 - SP -
 0046193637 - 23-NOV-87 0%

ZW BOOMERANG BG 940025 - SP -
 0036749745 - 04-OCT-94 3%

ZW BOOMERANG BG 980107 - SP -
 0044845782 - 07-NOV-98 3%

NONNIE CR 010015 - SP P
 0044826162 - 25-JUL-01 12%

---- -
 --- -

Selection value	CALVING EASE ★★★		MILK ★★★★		CALF GRWTH. ★★★		MAINTENANCE ★★★★			GROWTH TEST					FERTILITY ★★★			COW VALUE ★★★	GROWTH VALUE	PRODUCTION VALUE
	105 ₇₃	114 ₅₈	96 ₇₀	111 ₁₆									96 ₃₀							
Breeding value index	Birth wght	Birth Mat	Milk	Wean wght	Post wean	Mature wght	ADG	Kleiber	FCR	Length	Height	SC	AFC	ICP	★★★					
	101	130	114	96	95	89	-	-	-	-	-	-	88	99	113 ₄₃					
Breeding value	.52 ₇₅	-.84 ₅₈	6 ₅₈	2 ₇₀	3.7 ₆₂	-3 ₁₆	-	-	-	-	-	-	9.8 ₅₀	-1.6 ₉	In Vitro					
Weights/Index	30(6.9%)			155 (100)	209 (95)	207(119)									Flushings/Embrios/Calves: 0/0/0 Tests: -					
Remarks:	Loop by SW13-05 om S2016 te kalf														Vacc. -					

LOT 32

0442495, S.A. WELZ, POSBUS 521695, SAXONWOLD, 2132, (T)011-447 2858



Naam Ident. nommer Geslag Afdeling Reg. nommer Geboorte Datum
BLOMVLEI SW 120011 VROULIK SP 0075159178 03-MAY-12

12 0011

DNS: -

BLOMVLEI SW 120011 - SP P
 0075159178 - 03-MAY-12 5%
 OEK 38 TKP -
 RI 85
 Oud. / Kalwers 3j. 11md. / 1
 Gem SI/Kalf: 116 / 1
 KALWINGS
 07/15

BLOMVLEI SW 070050 - B P
 0065616161 - 22-SEP-07 1%

ZW BOOMERANG BG 990101 - SP -
 0044846087 - 10-DEC-99 7%

OEK 35.3 TKP 419
 RI 102 Gem SI/Kalf: 92 / 11
 Oud. / Kalwers 16j. 4md. / 12

MEGA M 040002 - SP P
 0048821524 - 14-MAR-04 5%

BLOMVLEI SW 040075 - A H
 0049135528 - 07-OCT-04 0%

OEK - TKP 454
 RI 96 Gem SI/Kalf: 106 / 6
 Oud. / Kalwers 11j. 6md. / 7

ZW BOOMERANG BG 930025 - SP -
 0037012291 - 12-NOV-93 4%

ZW BOOMERANG BG 890115 - SP -
 0044844918 - 05-JAN-90 3%

OEK 35.9 TKP 422
 RI 100 Gem SI/Kalf: / 0
 Oud. / Kalwers 19j. 12md. / 7

ZW BOOMERANG BG 940025 - SP -
 0036749745 - 04-OCT-94 3%

ZW BOOMERANG BG 980087 - SP -
 0044845733 - 22-OCT-98 6%

---- -
 --- -

BUROWILL ASE 990042 - A -
 0042471466 - 07-OCT-99 0%

ZW BOOMERANG BG 840221 - SP -
 0043293091 - 17-NOV-84 2%

ZW BOOMERANG BG 830154 - SP -
 0039595921 - 08-NOV-83 2%

ZW GUYU GU 782187 - SP -
 0043293034 - 30-OCT-78 10%

ZW BOOMERANG BG 830100 - SP -
 0044844348 - 29-SEP-83 0%

Seleksie waarde	KALF GEMAK ★★		MELK ★★★		KALFGROEI ★★★		ONDERHOUD ★★★			GROEI TOETS					VRUGBAARHEID ★★			KOEI WAARDE	GROEI WAARDE	PRODUKSIE WAARDE
	86 ₇₃	94 ₅₉	105 ₇₁	103 ₂₆									88 ₃₈							
Teeltwaarde index	Geb gew	Geb Mat	Melk	Speen gew	Naspeen	Volw. gewig	GDT	Kleiber	VOV	Lengte	Hoogte	SO	OEK	TKP	★★					
	89	85	94	105	110	97	97	104	-	93	97	93	67	97	88 ₄₈					
Teeltwaarde	1.52 ₇₅	.67 ₅₇	.1 ₅₉	5.3 ₇₁	12.6 ₆₂	6 ₂₆	82 ₁₇	27 ₁₇	-	18 ₂₀	11 ₂₁	8.3 ₂₂	28.4 ₅₅	-1.1 ₂₁	In Vitro					
Gewig/Index	35(6.4%)			156 (97)	229(103)	240(100)									Spoelings/Embrios/Kalwers: 0/0/0 Toetse: -					
Opmerkings:	Loop by HBH12-43 om S2016 te kalf														Inent. -					

LOT 33

0442495, S.A. WELZ, POSBUS 521695, SAXONWOLD, 2132, (T)011-447 2858



Name Ident. number Sex Section Reg. number Birth Date
BLOMVLEI SW 120038 FEMALE SP 0076047760 10-OCT-12

12 0038

DNA: -

BLOMVLEI SW 120038 - SP P
 0076047760 - 10-OCT-12 7%

AFC 35.5 ICP -
 RI 92
 Age / Calves 3j. 6md. / 1
 Avg. Wt/Calv: / 0
 CALVINGS
 09/15

BLOMVLEI SW 080032 - SP P
 0066645953 - 26-MAY-08 6%

BLOMVLEI SW 090030 - SP -
 0069362879 - 13-SEP-09 4%

AFC 36.9 ICP 476
 RI 89 Avg. Wt/Calv: 104 / 3
 Age / Calves 6j. 7md. / 3

PISIRI PS 020118 - SP -
 0047280979 - 24-SEP-02 11%

BLOMVLEI SW 050040 - SP P
 0060013364 - 23-MAY-05 4%

AFC 36.1 ICP 489
 RI 89 Avg. Wt/Calv: 112 / 5
 Age / Calves 9j. 1md. / 5

MEGA M 030004 - SP P
 0048821201 - 23-FEB-03 10%

BLOMVLEI SW 060044 - B H
 0063613467 - 24-SEP-06 2%

AFC 35.6 ICP 388
 RI 101 Avg. Wt/Calv: 99 / 3
 Age / Calves 5j. 11md. / 3

SIGIDI HKL 972004 - SP -
 0040707440 - 25-NOV-97 7%

LARYN JM 940042 - SP -
 0032701526 - 28-OCT-94 9%

NONNIE CR 010015 - SP P
 0044826162 - 25-JUL-01 12%

- LB 950058 - SP -
 0039643572 - 23-OCT-95 4%

ZW BOOMERANG BG 940025 - SP -
 0036749745 - 04-OCT-94 3%

ZW BOOMERANG BG 980107 - SP -
 0044845782 - 07-NOV-98 3%

NONNIE CR 010015 - SP P
 0044826162 - 25-JUL-01 12%

BUROWILL ASE 990056 - A -
 0042514505 - 24-OCT-99 0%

Selection value	CALVING EASE ★★★		MILK ★★★		CALF GRWTH. ★★★		MAINTENANCE ★★★			GROWTH TEST					FERTILITY ★★★			COW VALUE ★★★	GROWTH VALUE	PRODUCTION VALUE
	86 ₇₃	101 ₅₈	100 ₇₁	103 ₂₂						112 ₃₂										
Birth wght	Birth Mat	Milk	Wean wght	Post wean	Mature wght	ADG	Kleiber	FCR	Length	Height	SC	AFC	ICP	★★★						
85	110	101	100	97	97	-	-	-	99	102	101	99	113	93 ₄₅			-	-		
1.81 ₇₅	-.18 ₅₆	2.1 ₅₈	3.4 ₇₁	5 ₆₃	6 ₂₂	-	-	-	23 ₅	14 ₁₀	12.2 ₁₁	-.3 ₅₁	-5.1 ₁₂	In Vitro			0/0/0			
31(8.7%)			168 (102)	156 (97)	252 (97)									Flushings/Embrios/Calves: 0/0/0			Tests: -			
Remarks: Loop by bul SW10-52 Om S2016 te kalf. Verkoop met verskalf SW15-33 vaar HBH12-43														Vacc. -						

LOT 34

0442495, S.A. WELZ, POSBUS 521695, SAXONWOLD, 2132, (T)011-447 2858



Naam Ident. nommer Geslag Afdeling Reg. nommer Geboorte Datum
BLOMVLEI SW 120046 VROULIK SP 0076047836 21-OCT-12

12 0046

DNS: -

BLOMVLEI SW 120046 - SP P
 0076047836 - 21-OCT-12 5%

OEK 36.3 TKP -
 RI 90
 Oud. / Kalwers 3j. 5md. / 1
 Gem SI/Kalf: / 0
 KALWINGS
 10/15

BLOMVLEI SW 080043 - SP P
 0068334176 - 19-AUG-08 4%

BLOMVLEI SW 060017 - SP P
 0062624911 - 01-MAY-06 14%

OEK 40.7 TKP 563
 RI 74 Gem SI/Kalf: 98 / 3
 Oud. / Kalwers 7j. 3md. / 3

NONNIE CR 010015 - SP P
 0044826162 - 25-JUL-01 12%

- LB 950058 - SP -
 0039643572 - 23-OCT-95 4%

OEK - TKP 481
 RI 91 Gem SI/Kalf: 111 / 8
 Oud. / Kalwers 15j. 3md. / 8

BLOMVLEI SW 000003 - SP -
 0043675644 - 21-SEP-00 4%

BLOMVLEI SW 960004 - SP -
 0037212685 - 25-OCT-96 3%

OEK 35.3 TKP 400
 RI 105 Gem SI/Kalf: 106 / 12
 Oud. / Kalwers 15j. 11md. / 12

NONNIE CR 960004 - SP -
 0036882744 - 29-JUL-96 7%

NONNIE CR 960001 - SP -
 0035540202 - 20-MAR-96 6%

ZW LEBAR LB9239 - -
 0045056777 - 14-OCT-92 11%

- LB 870127 - SP -
 0046193637 - 23-NOV-87 0%

ZW BOOMERANG BG 960016 - SP -
 0043293208 - 18-AUG-96 5%

BLOMVLEI SW 950025 - SP -
 0034854802 - 03-DEC-95 25%

- J 922802 - SP -
 0033733973 - 26-JUN-92 11%

ZW BOOMERANG BG 900039 - SP -
 0028628998 - 11-OCT-90 1%

Seleksie waarde	KALF GEMAK ★★★		MELK ★★★		KALFGROEI ★★★		ONDERHOUD ★★★			GROEI TOETS					VRUGBAARHEID ★★★			KOEI WAARDE ★★★	GROEI WAARDE	PRODUKSIE WAARDE
	98 ₇₄	107 ₆₁	92 ₇₂	127 ₂₂						97 ₃₆										
Geb gew	Geb Mat	Melk	Speen gew	Naspeen	Volw. gewig	GDT	Kleiber	VOV	Lengte	Hoogte	SO	OEK	TKP	★★★						
96	112	107	92	87	73	90	91	-	91	95	98	104	95	103 ₄₇			-	-		
.92 ₇₆	-.24 ₆₀	4 ₆₁	.3 ₇₂	-.7 ₆₆	-20 ₂₂	62 ₈	9 ₈	-	16 ₁₄	10 ₁₆	10.7 ₁₇	-5.2 ₅₃	-6.1 ₈	In Vitro			0/0/0			
29(6.8%)			172 (106)	185(121)	263(103)									Spoelings/Embrios/Kalwers: 0/0/0			Toetse: -			
Opmerkings: Loop by bul HBH12-43 om te kalf S2016. Verkoop met bulkalf SW15-38 vaar HBH 12-43														Inent. -						

LOT 35

0442495, S.A. WELZ, POSBUS 521695, SAXONWOLD, 2132, (T)011-447 2858



Name Ident. number Sex Section Reg. number Birth Date
BLOMVLEI SW 120041 FEMALE B 0076047794 15-OCT-12

12 0041

DNA: -

BLOMVLEI SW 120041 - B P
 0076047794 - 15-OCT-12 3%

AFC 36.6 ICP -
 RI 89
 Age / Calves 3j. 6md. / 1
 Avg. Wt/Calv: / 0
 CALVINGS
 11/15

BLOMVLEI SW 080008 - SP P
 0066297607 - 15-APR-08 6%

BLOMVLEI SW 060055 - A -
 0067874917 - 12-OCT-06 0%

AFC - ICP 364
 RI 116 Avg. Wt/Calv: 101 / 5
 Age / Calves 9j. 6md. / 5

PISIRI PS 020118 - SP -
 0047280979 - 24-SEP-02 11%

ZW BOOMERANG BG 990101 - SP -
 0044846087 - 10-DEC-99 7%

AFC 35.3 ICP 419
 RI 102 Avg. Wt/Calv: 92 / 11
 Age / Calves 16j. 4md. / 12

NONNIE CR 010015 - SP P
 0044826162 - 25-JUL-01 12%

SIGIDI HKL 972004 - SP -
 0040707440 - 25-NOV-97 7%

LARYN JM 940042 - SP -
 0032701526 - 28-OCT-94 9%

ZW BOOMERANG BG 930025 - SP -
 0037012291 - 12-NOV-93 4%

ZW BOOMERANG BG 890115 - SP -
 0044844918 - 05-JAN-90 3%

NONNIE CR 960004 - SP -
 0036882744 - 29-JUL-96 7%

NONNIE CR 960001 - SP -
 0035540202 - 20-MAR-96 6%

---- -

--- -%

---- -

--- -%

Avg. Wt/Calv: -

Selection value	CALVING EASE ★★★		MILK ★★★		CALF GRWTH. ★★★		MAINTENANCE ★★★★			GROWTH TEST					FERTILITY ★★★★			COW VALUE ★★★	GROWTH VALUE	PRODUCTION VALUE
	88 ₇₂	91 ₅₆	100 ₆₉	112 ₁₉	ADG	Kleiber	FCR	Length	Height	SC	AFC	ICP	119 ₃₄							
Birth wght	Birth Mat	Milk	Wean wght	Post wean	Mature wght	87	101	-	98	105	100	107	119	91 ₄₄	-	-	-			
Breeding value index	1.67 ₇₄	-13 ₅₄	-9 ₅₆	3.3 ₆₉	3.1 ₆₂	-4 ₁₉	87 ₁₆	22 ₁₆	-	22 ₁₉	16 ₂₁	11.4 ₂₁	-7.1 ₅₁	-6.5 ₁₆	In Vitro	0/0/0	0/0/0			
Breeding value	33(8.3%)			161 (95)	157 (96)	266(103)									Tests: -					
Weights/Index	Remarks: Loop by bul XY12-25/SW10-18 om te kalf S2016. Doen DNA. Word verkoop met verskalf SW15-42 vaar HBH12-43															Vacc. -				

LOT 36

0442495, S.A. WELZ, POSBUS 521695, SAXONWOLD, 2132, (T)011-447 2858



Naam Ident. nommer Geslag Afdeling Reg. nommer Geboorte Datum
BLOMVLEI SW 120049 VROULIK SP 0076047869 24-OCT-12

12 0049

DNS: -

BLOMVLEI SW 120049 - SP P
 0076047869 - 24-OCT-12 5%

OEK 36.7 TKP -
 RI 89
 Oud. / Kalwers 3j. 5md. / 1
 Gem SI/Kalf: / 0
 KALWINGS
 11/15

BLOMVLEI SW 060039 - SP P
 0063613590 - 02-SEP-06 4%

BLOMVLEI SW 090045 - SP -
 0069469492 - 02-OCT-09 6%

OEK 36.7 TKP 392
 RI 95 Gem SI/Kalf: 91 / 2
 Oud. / Kalwers 4j. 9md. / 2

MOTSWIRI AJB 020021 - B -
 0046814281 - 24-SEP-02 5%

- HT 990005 - SP -
 0044845857 - 16-MAY-99 2%

OEK - TKP 433
 RI 93 Gem SI/Kalf: 100 / 7
 Oud. / Kalwers 12j. 12md. / 7

HBH HBH 030739 - B PP
 0048040240 - 10-OCT-03 4%

BLOMVLEI SW 030012 - SP -
 0047197736 - 30-APR-03 8%

OEK 29.7 TKP 387
 RI 111 Gem SI/Kalf: 87 / 6
 Oud. / Kalwers 9j. 5md. / 6

ZW BOOMERANG BG 950027 - SP -
 0043247139 - 04-NOV-95 3%

MOTSWIRI AJB 960101 - A -
 0042274480 - 10-OCT-96 0%

ZW BOOMERANG BG 950103 - SP -
 0044845451 - 25-NOV-95 4%

- HT 950030 - SP -
 0044845428 - 21-NOV-95 0%

ZW BOOMERANG BG 960053 - SP -
 0043293216 - 10-NOV-96 4%

HBH HBH 950103 - A -
 0035200708 - 27-OCT-95 6%

- ELK 940506 - SP -
 0041181876 - 04-AUG-94 12%

BLOMVLEI SW 960004 - SP -
 0037212685 - 25-OCT-96 3%

Seleksie waarde	KALF GEMAK ★★★★		MELK ★★★		KALFGROEI ★★		ONDERHOUD ★★★★			GROEI TOETS					VRUGBAARHEID ★★			KOEI WAARDE ★★★	GROEI WAARDE ★★★	PRODUKSIE WAARDE ★★★
	111 ₇₄	94 ₆₁	88 ₇₂	113 ₂₆	GDT	Kleiber	VOV	Lengte	Hoogte	SO	OEK	TKP	82 ₃₆							
Geb gew	Geb Mat	Melk	Speen gew	Naspeen	Volw. gewig	94	101	-	92	93	101	108	79	93 ₄₈	96 ₂₆	94 ₄₄				
Teeltwaarde index	.02 ₇₆	-43 ₅₉	0 ₆₁	-8 ₇₂	3.5 ₆₆	-5 ₂₆	72 ₂₂	22 ₂₂	-	17 ₂₄	9 ₂₆	12 ₂₈	-8 ₅₅	3.5 ₁₇	In Vitro	0/0/0				
Teeltwaarde	28(6.9%)			147 (88)	149 (94)	254(100)									Spoeings/Embrios/Kalwers: 0/0/0	0/0/0				
Gewig/Index	Opmerkings: Loop by bul HBH12-43 om te kalf S2016. Verkoop met verskalf SW15-53 vaar SW10-52															Inent. -				

LOT 37

0442495, S.A. WELZ, POSBUS 521695, SAXONWOLD, 2132, (T)011-447 2858



Name **BLOMVLEI** Ident. number **SW 120073** Sex **FEMALE** Section **SP** Reg. number **0076431386** Birth Date **11-NOV-12**

SW120073

DNA: -

BLOMVLEI SW 120073 - SP **H**
0076431386 - 11-NOV-12 **6%**
AFC **35.8** ICP -
RI **91**
Age / Calves **3j. 5md. / 1**
Avg. Wt/Calv: **/ 0**
CALVINGS
11/15

BLOMVLEI SW 080043 - SP **P**
0068334176 - 19-AUG-08 **4%**

BLOMVLEI SW 080085 - SP **P**
0067749192 - 08-NOV-08 **5%**

AFC **35.3** ICP **434**
RI **97** Avg. Wt/Calv: **101 / 4**
Age / Calves **7j. 5md. / 4**

NONNIE CR 010015 - SP **P**
0044826162 - 25-JUL-01 **12%**

- LB 950058 - SP -
0039643572 - 23-OCT-95 **4%**

AFC - ICP **481**
RI **91** Avg. Wt/Calv: **111 / 8**
Age / Calves **15j. 3md. / 8**

PULU PT 010037 - SP -
0045340189 - 22-OCT-01 **10%**

- HT 990040 - SP -
0044845964 - 16-NOV-99 **4%**

AFC - ICP **378**
RI **109** Avg. Wt/Calv: **100 / 7**
Age / Calves **12j. 11md. / 9**

NONNIE CR 960004 - SP -

0036882744 - 29-JUL-96 **7%**

NONNIE CR 960001 - SP -

0035540202 - 20-MAR-96 **6%**

ZW LEBAR LB9239 --

0045056777 - 14-OCT-92 **11%**

- LB 870127 - SP -

0046193637 - 23-NOV-87 **0%**

JAMBO J 942990 - SP -

0035453182 - 06-JUL-94 **12%**

SIGIDI HKL 950008 - SP -

0038230868 - 15-OCT-95 **13%**

ZW BOOMERANG BG 950103 - SP -

0044845451 - 25-NOV-95 **4%**

- HT 910059 - SP -

0044844983 - 30-NOV-91 **0%**

Selection value	CALVING EASE ★★★★		MILK ★★★★		CALF GRWTH. ★★★		MAINTENANCE ★★★★			GROWTH TEST					FERTILITY ★★★			COW VALUE ★★★★	GROWTH VALUE	PRODUCTION VALUE						
	111 ₇₄	105 ₆₀	94 ₇₂	117 ₂₃									107 ₃₆													
Birth wght	Birth Mat	Milk	Wean wght	Post wean	Mature wght	ADG	Kleiber	FCR	Length	Height	SC	AFC	ICP	★★★★												
108	132	105	94	87	83	89	89	-	-	-	94	112	104	114₄₇			-	-								
.03 ₇₆	-.91 ₅₉	3.5 ₆₀	1.1 ₇₂	-.8 ₆₅	-10 ₂₃	57 ₇	8 ₇	-	-	-	8.8 ₁₆	-12 ₅₂	-2.8 ₁₉	In Vitro			Flushings/Embrios/Calves: 0/0/0									
32(8.9%)															165 (99)		141 (84)		230 (87)					Tests: -		
Remarks: Loop by bul SW10-52 om te kalf S2016. Verkoop met verskalf SW15-43 vaar SWHBH12-43															Vacc. -											

LOT 38

0442495, S.A. WELZ, POSBUS 521695, SAXONWOLD, 2132, (T)011-447 2858



Naam **BLOMVLEI** Ident. nommer **SW 120052** Geslag **VROULIK** Afdeling **B** Reg. nommer **0076047893** Geboorte Datum **27-OCT-12**

12 0052

DNS: -

BLOMVLEI SW 120052 - B -
0076047893 - 27-OCT-12 **3%**
OEK **36.4** TKP -
RI **89**
Oud. / Kalwers **3j. 5md. / 1**
Gem SI/Kalf: **/ 0**
KALWINGS
11/15

BLOMVLEI SW 080043 - SP **P**
0068334176 - 19-AUG-08 **4%**

BLOMVLEI SW 090051 - A -
0070336441 - 04-OCT-09 **0%**

OEK - TKP **379**
RI **113** Gem SI/Kalf: **106 / 1**
Oud. / Kalwers **6j. 6md. / 3**

NONNIE CR 010015 - SP **P**
0044826162 - 25-JUL-01 **12%**

- LB 950058 - SP -
0039643572 - 23-OCT-95 **4%**

OEK - TKP **481**
RI **91** Gem SI/Kalf: **111 / 8**
Oud. / Kalwers **15j. 3md. / 8**

HBH HBH 030739 - B **PP**
0048040240 - 10-OCT-03 **4%**

---- -
--- -

NONNIE CR 960004 - SP -

0036882744 - 29-JUL-96 **7%**

NONNIE CR 960001 - SP -

0035540202 - 20-MAR-96 **6%**

ZW LEBAR LB9239 --

0045056777 - 14-OCT-92 **11%**

- LB 870127 - SP -

0046193637 - 23-NOV-87 **0%**

ZW BOOMERANG BG 960053 - SP -

0043293216 - 10-NOV-96 **4%**

HBH HBH 950103 - A -

0035200708 - 27-OCT-95 **6%**

---- -

--- -

---- -

--- -

Gem SI/Kalf: -

Seleksie waarde	KALF GEMAK ★★★★		MELK ★★★★		KALFGROEI ★★★		ONDERHOUD ★★★★			GROEI TOETS					VRUGBAARHEID ★★★			KOEI WAARDE	GROEI WAARDE	PRODUKSIE WAARDE						
	121 ₇₃	106 ₅₇	96 ₆₉	113 ₁₇									98 ₃₂													
Geb gew	Geb Mat	Melk	Speen gew	Naspeen	Volw. gewig	GDT	Kleiber	VOV	Lengte	Hoogte	SO	OEK	TKP	★★★★												
117	124	106	96	92	87	103	100	-	105	111	103	115	94	122₄₃			-	-								
-.72 ₇₅	-.63 ₅₇	3.8 ₅₇	2.1 ₆₉	2.2 ₆₂	-5.17	99 ₁₄	21 ₁₄	-	28 ₁₈	19 ₁₉	13 ₁₉	14.3 ₄₉	-2.15	In Vitro			Spoelings/Embrios/Kalwers: 0/0/0									
24(6.8%)															166 (106)		151 (98)		242 (96)					Tests: -		
Opmerkings: Loop by bul HBH12-43 om te kalf S2016. Verkoop met bulkalf SW15-46 vaar XY12-25/SW12-21. Doen DNA															Inent. -											

LOT 39

0442495, S.A. WELZ, POSBUS 521695, SAXONWOLD, 2132, (T)011-447 2858



Name Ident. number Sex Section Reg. number Birth Date
BLOMVLEI SW 120059 FEMALE SP 0076047950 01-NOV-12

12 0059

DNA: -

BLOMVLEI SW 120059 - SP P
 0076047950 - 01-NOV-12 7%

AFC 36.4 ICP -
 RI 90
 Age / Calves 3j. 5md. / 1
 Avg. Wt/Calv: / 0
 CALVINGS
 11/15

BLOMVLEI SW 080043 - SP P
 0068334176 - 19-AUG-08 4%

BLOMVLEI SW 050003 - SP P
 0049456718 - 05-JAN-05 8%

AFC 33.2 ICP 372
 RI 111 Avg. Wt/Calv: 98 / 6
 Age / Calves 11j. 0md. / 8

NONNIE CR 010015 - SP P
 0044826162 - 25-JUL-01 12%

- LB 950058 - SP -
 0039643572 - 23-OCT-95 4%

AFC - ICP 481
 RI 91 Avg. Wt/Calv: 111 / 8
 Age / Calves 15j. 3md. / 8

- ELK 940506 - SP -
 0041181876 - 04-AUG-94 12%

- HT 990046 - SP -
 0044846004 - 27-NOV-99 4%

AFC - ICP 413
 RI 103 Avg. Wt/Calv: 89 / 6
 Age / Calves 9j. 4md. / 6

NONNIE CR 960004 - SP -
 0036882744 - 29-JUL-96 7%

NONNIE CR 960001 - SP -
 0035540202 - 20-MAR-96 6%

ZW LEBAR LB9239 - - -
 0045056777 - 14-OCT-92 11%

- LB 870127 - SP -
 0046193637 - 23-NOV-87 0%

ZW BOOMERANG BG 850108 - SP -
 0022173868 - 17-DEC-85 9%

JAMBO J891331 - - -
 0045069705 - 03-SEP-89 13%

ZW BOOMERANG BG 950103 - SP -
 0044845451 - 25-NOV-95 4%

- HT 950035 - SP -
 0044845436 - 21-DEC-95 2%

Selection value	CALVING EASE ★★★★		MILK ★★★		CALF GRWTH. ★★★★		MAINTENANCE ★★★★			GROWTH TEST					FERTILITY ★★★★			COW VALUE ★★★★	GROWTH VALUE	PRODUCTION VALUE						
	113 ₇₄	93 ₆₁	101 ₇₂	113 ₂₅									120 ₃₁													
Birth wght	Birth Mat	Milk	Wean wght	Post wean	Mature wght	ADG	Kleiber	FCR	Length	Height	SC	AFC	ICP	In Vitro												
110	131	93	101	98	87	-	-	-	92	93	106	112	118	115 ₄₆			-	-								
-15 ₇₆	-87 ₆₀	-3 ₆₁	3.6 ₇₂	5.6 ₅₉	-5 ₂₅	-	-	-	17 ₉	9 ₁₃	14.1 ₁₃	-11.9 ₄₂	-6.3 ₂₀	Flushings/Embrios/Calves: 0/0/0			Tests: -									
29(6.3%)															166 (102)			159(101)			- (-)			Vacc. -		
Remarks: Loop by bul SW13-05 om te kalf S2016. Verkoop met verskalf SW15-51 vaar SW10-52																										

LOT 40

0442495, S.A. WELZ, POSBUS 521695, SAXONWOLD, 2132, (T)011-447 2858



Naam Ident. nommer Geslag Afdeling Reg. nommer Geboorte Datum
BLOMVLEI SW 120064 VROULIK SP 0076431287 05-NOV-12

SW120064

DNS: -

BLOMVLEI SW 120064 - SP P
 0076431287 - 05-NOV-12 5%

OEK 36.7 TKP -
 RI 89
 Oud. / Kalwers 3j. 5md. / 1
 Gem SI/Kalf: / 0
 KALWINGS
 11/15

BLOMVLEI SW 060039 - SP P
 0063613590 - 02-SEP-06 4%

BLOMVLEI SW 080084 - SP H
 0067749184 - 07-NOV-08 10%

OEK 34.9 TKP 388
 RI 104 Gem SI/Kalf: 109 / 4
 Oud. / Kalwers 7j. 5md. / 4

MOTSWIRI AJB 020021 - B -
 0046814281 - 24-SEP-02 5%

- HT 990005 - SP -
 0044845857 - 16-MAY-99 2%

OEK - TKP 433
 RI 93 Gem SI/Kalf: 100 / 7
 Oud. / Kalwers 12j. 12md. / 7

PULU PT 010037 - SP -
 0045340189 - 22-OCT-01 10%

BLOMVLEI SW 010057 - SP -
 0045453909 - 16-NOV-01 9%

OEK 36.4 TKP 480
 RI 90 Gem SI/Kalf: 106 / 3
 Oud. / Kalwers 8j. 5md. / 4

ZW BOOMERANG BG 950027 - SP -
 0043247139 - 04-NOV-95 3%

MOTSWIRI AJB 960101 - A -
 0042274480 - 10-OCT-96 0%

ZW BOOMERANG BG 950103 - SP -
 0044845451 - 25-NOV-95 4%

- HT 950030 - SP -
 0044845428 - 21-NOV-95 0%

JAMBO J 942990 - SP -
 0035453182 - 06-JUL-94 12%

SIGIDI HKL 950008 - SP -
 0038230868 - 15-OCT-95 13%

- ELK 940506 - SP -
 0041181876 - 04-AUG-94 12%

- DK 971675 - SP -
 0042955583 - 14-AUG-97 7%

Seleksie waarde	KALF GEMAK ★★★★		MELK ★★★★		KALFGROEI ★★★★		ONDERHOUD ★★★★			GROEI TOETS					VRUGBAARHEID ★★★★			KOEI WAARDE ★★★★	GROEI WAARDE ★★★★	PRODUKSIE WAARDE ★★★★						
	103 ₇₅	114 ₆₂	104 ₇₃	104 ₂₆									97 ₃₈													
Geb gew	Geb Mat	Melk	Speen gew	Naspeen	Volw. gewig	GDT	Kleiber	VOV	Lengte	Hoogte	SO	OEK	TKP	★★★★												
102	108	114	104	108	96	107	110	-	106	100	112	108	95	119 ₄₉			102 ₂₄	110 ₄₄								
.5 ₇₇	-12 ₆₁	6.2 ₆₂	4.8 ₇₃	11.5 ₆₆	5 ₂₆	113 ₂₁	34 ₂₁	-	28 ₁₇	13 ₂₀	16.9 ₂₈	-8.6 ₅₇	-5 ₂₀	In Vitro			Spoelings/Embrios/Kalwers: 0/0/0									
31(7.9%)															178 (109)			170(108)			281(110)			Toetse: -		
Opmerkings: Loop by bul SW10-52 om te kalf S2016. Verkoop met bulkalf SW15-61 vaar XY12-25/SW12-21. Doen DNA																										
Inent. -																										

LOT 41

0442495, S.A. WELZ, POSBUS 521695, SAXONWOLD, 2132, (T)011-447 2858



Name Ident. number Sex Section Reg. number Birth Date
BLOMVLEI SW 120068 FEMALE SP 0076431337 05-NOV-12

SW120068

DNA: -

BLOMVLEI SW 120068 - SP H
 0076431337 - 05-NOV-12 7%
 AFC 36.8 ICP -
 RI 88
 Age / Calves 3j. 5md. / 1
 Avg. Wt/Calv: / 0
 CALVINGS
 11/15

BLOMVLEI SW 080043 - SP P
 0068334176 - 19-AUG-08 4%
BLOMVLEI SW 070071 - SP H
 0065467052 - 19-OCT-07 7%
 AFC 35.4 ICP 379
 RI 106 Avg. Wt/Calv: 101 / 4
 Age / Calves 8j. 5md. / 5

NONNIE CR 010015 - SP P
 0044826162 - 25-JUL-01 12%
- LB 950058 - SP -
 0039643572 - 23-OCT-95 4%
 AFC - ICP 481
 RI 91 Avg. Wt/Calv: 111 / 8
 Age / Calves 15j. 3md. / 8
MEGA M 040002 - SP P
 0048821524 - 14-MAR-04 5%
BLOMVLEI SW 010013 - B -
 0045189008 - 11-SEP-01 10%
 AFC 34.6 ICP 378
 RI 109 Avg. Wt/Calv: 95 / 7
 Age / Calves 11j. 1md. / 8

NONNIE CR 960004 - SP -
 0036882744 - 29-JUL-96 7%
NONNIE CR 960001 - SP -
 0035540202 - 20-MAR-96 6%
ZW LEBAR LB9239 - - -
 0045056777 - 14-OCT-92 11%
- LB 870127 - SP -
 0046193637 - 23-NOV-87 0%
ZW BOOMERANG BG 940025 - SP -
 0036749745 - 04-OCT-94 3%
ZW BOOMERANG BG 980087 - SP -
 0044845733 - 22-OCT-98 6%
- ELK 940506 - SP -
 0041181876 - 04-AUG-94 12%
BLOMVLEI SW 980045 - A -
 0043368414 - 02-NOV-98 7%

Selection value	CALVING EASE ☆☆☆		MILK ☆☆☆		CALF GRWTH. ☆☆☆		MAINTENANCE ☆☆☆			GROWTH TEST					FERTILITY ☆☆☆			COW VALUE ☆☆☆	GROWTH VALUE	PRODUCTION VALUE
	93 ⁷⁵	101 ⁶⁰	109 ⁷²	106 ²³									104 ³⁵							
Birth wght	Birth Mat	Milk	Wean wght	Post wean	Mature wght	ADG	Kleiber	FCR	Length	Height	SC	AFC	ICP	In Vitro						
90	119	101	109	105	94	-	-	-	102	104	112	95	106	107 ⁴⁷						
1.39 ⁷⁷	-.46 ⁶⁰	2.1 ⁶⁰	6.7 ⁷²	9.7 ⁶⁵	2 ²³	-	-	-	25 ⁸	15 ¹²	17.1 ¹³	3.6 ⁵²	-3.3 ¹⁸	In Vitro						
33(7.8%)			165 (98)	157 (96)	257 (99)									Flushings/Embrios/Calves: 0/0/0 Tests: -						
Remarks: Loop by bul SW13-05 om te kalf S2016														Vacc. -						

LOT 42

0442495, S.A. WELZ, POSBUS 521695, SAXONWOLD, 2132, (T)011-447 2858



Naam Ident. nommer Geslag Afdeling Reg. nommer Geboorte Datum
BLOMVLEI SW 120054 VROULIK SP 0076047901 28-OCT-12

12 0054

DNS: -

BLOMVLEI SW 120054 - SP SC
 0076047901 - 28-OCT-12 4%
 OEK 33.1 TKP -
 RI 100
 Oud. / Kalwers 3j. 5md. / 1
 Gem SI/Kalf: 121 / 1
 KALWINGS
 07/15

BLOMVLEI SW 080043 - SP P
 0068334176 - 19-AUG-08 4%
BLOMVLEI SW 090049 - B -
 0069469526 - 04-OCT-09 2%
 OEK 36.8 TKP 377
 RI 96 Gem SI/Kalf: 118 / 2
 Oud. / Kalwers 4j. 9md. / 2

NONNIE CR 010015 - SP P
 0044826162 - 25-JUL-01 12%
- LB 950058 - SP -
 0039643572 - 23-OCT-95 4%
 OEK - TKP 481
 RI 91 Gem SI/Kalf: 111 / 8
 Oud. / Kalwers 15j. 3md. / 8
MEGA M 030004 - SP P
 0048821201 - 23-FEB-03 10%
BLOMVLEI SW 070003 - A -
 0067874982 - 15-MAR-07 0%
 OEK - TKP 432
 RI 101 Gem SI/Kalf: 106 / 4
 Oud. / Kalwers 9j. 1md. / 5

NONNIE CR 960004 - SP -
 0036882744 - 29-JUL-96 7%
NONNIE CR 960001 - SP -
 0035540202 - 20-MAR-96 6%
ZW LEBAR LB9239 - - -
 0045056777 - 14-OCT-92 11%
- LB 870127 - SP -
 0046193637 - 23-NOV-87 0%
ZW BOOMERANG BG 940025 - SP -
 0036749745 - 04-OCT-94 3%
ZW BOOMERANG BG 980107 - SP -
 0044845782 - 07-NOV-98 3%
PISIRI PS 020118 - SP -
 0047280979 - 24-SEP-02 11%
 - - - -
 - - - -%

Seleksie waarde	KALF GEMAK ☆☆☆		MELK ☆☆☆☆		KALFGROEI ☆☆☆☆		ONDERHOUD ☆☆☆			GROEI TOETS					VRUGBAARHEID ☆☆☆☆			KOEI WAARDE	GROEI WAARDE	PRODUKSIE WAARDE
	90 ⁷²	113 ⁵⁹	112 ⁷¹	105 ²²									124 ³⁴							
Geb gew	Geb Mat	Melk	Speen gew	Naspeen	Volw. gewig	GDT	Kleiber	VOV	Lengte	Hoogte	SO	OEK	TKP	☆☆☆☆						
87	123	113	112	108	95	104	102	-	105	108	104	123	119	121 ⁴⁶						
1.66 ⁷⁴	-.61 ⁵⁷	5.9 ⁵⁹	7.6 ⁷¹	11 ⁶⁴	3 ²²	102 ⁸	23 ⁸	-	27 ¹²	17 ¹⁴	13.5 ¹⁵	21.6 ⁵¹	-6.5 ¹⁷	In Vitro						
30(7.8%)			184 (114)	182(118)	284(112)									Spoelings/Embrios/Kalwers: 0/0/0 Toetse: -						
Opmerkings: Loop by bul XY12-25/SW10-18 om te kalf S2016. Doen DNA.														Inent. -						

LOT 43

0442495, S.A. WELZ, POSBUS 521695, SAXONWOLD, 2132, (T)011-447 2858



Name Ident. number Sex Section Reg. number Birth Date
MABULA BEU 100032 FEMALE SP 0070585708 04-APR-10

10 32

DNA: -

MABULA BEU 100032 - SP P
 0070585708 - 04-APR-10 5%

AFC 29.9 ICP 483
 RI 100
 Age / Calves 5j. 12md. / 3
 Avg. Wt/Calv: 79 / 1
 CALVINGS
 10/12, 10/13, 05/15

MABULA BEU 060023 - SP P
 0062889001 - 22-JUN-06 10%

GENERAALSDRAAI H 000009 - SP -
 0044438448 - 19-SEP-00 9%

AFC 35.5 ICP 384
 RI 108 Avg. Wt/Calv: 98 / 9
 Age / Calves 15j. 6md. / 10

NONNIE CR 030070 - SP -
 0047594783 - 10-SEP-03 7%

NONNIE CR 020009 - SP P
 0046361465 - 02-JUN-02 7%

AFC 26.2 ICP 342
 RI 121 Avg. Wt/Calv: 105 / 2
 Age / Calves 5j. 2md. / 3

GENERAALSDRAAI H 950010 - B -
 0035304377 - 27-SEP-95 0%

GENERAALSDRAAI H 970023 - SP -
 0039705959 - 07-OCT-97 5%

AFC 35.4 ICP 369
 RI 110 Avg. Wt/Calv: 103 / 8
 Age / Calves 11j. 8md. / 8

NONNIE CR 960004 - SP -
 0036882744 - 29-JUL-96 7%

NONNIE CR 980010 - B -
 0040477440 - 18-JUL-98 19%

NONNIE CR 980030 - SP -
 0040477556 - 18-AUG-98 5%

- J 941919 - SP -
 0036749729 - 17-OCT-94 7%

ZW BOOMERANG BG 890060 - SP -
 0027888320 - 07-NOV-89 6%

GENERAALSDRAAI H 900032 - A -
 0034543637 - 01-SEP-90 0%

ZW BOOMERANG BG 930025 - SP -
 0037012291 - 12-NOV-93 4%

GENERAALSDRAAI H 940063 - SP -
 0033580234 - 11-DEC-94 7%

Selection value	CALVING EASE ★★★★		MILK ★★☆	CALF GRWTH. ★★★	MAINTENANCE ★★★★	GROWTH TEST						FERTILITY ★★★			COW VALUE ★★☆	GROWTH VALUE ★★	PRODUCTION VALUE ★★
	127 ⁷⁹	78 ⁶⁶	83 ⁷⁶	101 ³³	ADG	Kleiber	FCR	Length	Height	SC	AFC	ICP	105 ⁴²				
Birth wght	Birth Mat	Milk	Wean wght	Post wean	Mature wght	87	107	-	71	73	87	103	105	90 ⁵⁴	89 ²⁸	88 ⁴⁹	
Breeding value index	124	117	78	83	95	99	87	107	-	71	73	87	103	105	90 ⁵⁴	89 ²⁸	88 ⁴⁹
Breeding value	-1.29 ⁸⁰	-.4 ⁶⁶	-4.8 ⁶⁶	-2.8 ⁷⁶	3.9 ⁴⁴	8 ³³	52 ²⁵	30 ²⁵	-	-1 ²⁹	-3 ³²	5.7 ³²	-4.3 ⁵⁸	-3.1 ²⁶	In Vitro		
Weights/Index	29(5.5%)			164 (92)	- (-)	- (-)									Flushings/Embrios/Calves: 0/0/0		
															Tests: -		
Remarks:	Dragtig by SW10-52 om Winter 2016 te kalv. Vorige eienaar het BEU10-32 per abuis 23 gebrand. 32 is korrek.																
															Vacc. -		

LOT 44

0442495, S.A. WELZ, POSBUS 521695, SAXONWOLD, 2132, (T)011-447 2858



Naam Ident. nommer Geslag Afdeling Reg. nommer Geboorte Datum
BLOMVLEI SW 100004 VROULIK SP 0070486907 20-MAR-10

10 0004

DNS: -

BLOMVLEI SW 100004 - SP H
 0070486907 - 20-MAR-10 5%

OEK 39.2 TKP 360
 RI 98
 Oud. / Kalwers 6j. 0md. / 3
 Gem SI/Kalf: 95 / 3
 KALWINGS
 06/13, 07/14, 06/15

BLOMVLEI SW 060039 - SP P
 0063613590 - 02-SEP-06 4%

BLOMVLEI SW 070026 - SP P
 0065550766 - 20-MAY-07 3%

OEK 34 TKP 478
 RI 94 Gem SI/Kalf: 98 / 3
 Oud. / Kalwers 6j. 3md. / 3

MOTSWIRI AJB 020021 - B -
 0046814281 - 24-SEP-02 5%

- HT 990005 - SP -
 0044845857 - 16-MAY-99 2%

OEK - TKP 433
 RI 93 Gem SI/Kalf: 100 / 7
 Oud. / Kalwers 12j. 12md. / 7

- DK 952394 - SP -
 0039643861 - 04-MAY-95 3%

ZW BOOMERANG BG 900007 - SP -
 0028628956 - 12-OCT-90 1%

OEK 38.7 TKP 395
 RI 105 Gem SI/Kalf: 98 / 11
 Oud. / Kalwers 17j. 7md. / 13

ZW BOOMERANG BG 950027 - SP -
 0043247139 - 04-NOV-95 3%

MOTSWIRI AJB 960101 - A -
 0042274480 - 10-OCT-96 0%

ZW BOOMERANG BG 950103 - SP -
 0044845451 - 25-NOV-95 4%

- HT 950030 - SP -
 0044845428 - 21-NOV-95 0%

ZW BOOMERANG BG 790286 - A -
 0045059433 - 30-NOV-79 4%

- DK 921254 - SP -
 0046238598 - 21-AUG-92 4%

ZW BOOMERANG BG 760003 - SP -
 0043293026 - 17-OCT-76 0%

ZW BOOMERANG BG 810185 - A -
 0046213682 - 26-OCT-81 0%

Seleksie waarde	KALF GEMAK ★★★★		MELK ★★☆	KALFGROEI ★★★	ONDERHOUD ★★★★	GROEI TOETS						VRUGBAARHEID ★★			KOEI WAARDE ★★★	GROEI WAARDE ★★★★	PRODUKSIE WAARDE ★★★★
	120 ⁷⁶	98 ⁵⁵	88 ⁶³	126 ³⁰	Geb gew	Geb Mat	Melk	Speen gew	Naspeen	Volw. gewig	GDT	Kleiber	VOV	Lengte			
Teeltwaarde index	117	115	98	88	93	74	108	116	-	103	106	101	104	84	108 ⁴⁸	111 ²⁴	111 ⁴³
Teeltwaarde	-.74 ⁷⁸	-.33 ⁶²	1.2 ⁵⁵	-.9 ⁶³	2.5 ⁵⁶	-19 ³⁰	115 ²²	41 ²²	-	26 ²²	17 ²⁴	12 ²⁸	-4.5 ⁵⁷	2.1 ²⁸	In Vitro		
Gewig/Index	32(9%)			157 (100)	223(102)	235(100)									Spoelings/Embrios/Kalwers: 0/0/0		
Opmerkings:	Dragtig by HBH12-43 om W2016 te kalv																
															Inent. -		

LOT 45

0442495, S.A. WELZ, POSBUS 521695, SAXONWOLD, 2132, (T)011-447 2858



Name **BLOMVLEI** Ident. number **SW 100032** Sex **FEMALE** Section **SP** Reg. number **0071491674** Birth Date **28-SEP-10**

100032

DNA: -

BLOMVLEI SW 100032 - SP P
0071491674 - 28-SEP-10 6%
AFC 36.9 ICP 577
RI 82
Age / Calves 5j. 6md. / 2
Avg. Wt/Calv: 102 / 2
CALVINGS
10/13 ,05/15

BLOMVLEI SW 060039 - SP P
0063613590 - 02-SEP-06 4%

BLOMVLEI SW 070067 - SP P
0065467011 - 12-OCT-07 4%

AFC 35.5 ICP 372
RI 106 Avg. Wt/Calv: 88 / 4
Age / Calves 8j. 6md. / 5

MOTSWIRI AJB 020021 - B -
0046814281 - 24-SEP-02 5%

- HT 990005 - SP -
0044845857 - 16-MAY-99 2%

AFC - ICP 433
RI 93 Avg. Wt/Calv: 100 / 7
Age / Calves 12j. 12md. / 7

BLOMVLEI SW 030030 - B -
0047516182 - 08-SEP-03 0%

BLOMVLEI SW 050003 - SP P
0049456718 - 05-JAN-05 8%

AFC 33.2 ICP 372
RI 111 Avg. Wt/Calv: 98 / 6
Age / Calves 11j. 0md. / 8

ZW BOOMERANG BG 950027 - SP -
0043247139 - 04-NOV-95 3%

MOTSWIRI AJB 960101 - A -
0042274480 - 10-OCT-96 0%

ZW BOOMERANG BG 950103 - SP -
0044845451 - 25-NOV-95 4%

- HT 950030 - SP -
0044845428 - 21-NOV-95 0%

ZW BOOMERANG BG 970110 - SP -
0044845550 - 03-DEC-97 8%

BLOMVLEI SW 940015 - A -
0033721127 - 01-AUG-94 0%

- ELK 940506 - SP -
0041181876 - 04-AUG-94 12%

- HT 990046 - SP -
0044846004 - 27-NOV-99 4%

Selection value	CALVING EASE ★★★		MILK ★★★		CALF GRWTH. ★★★		MAINTENANCE ★★★		GROWTH TEST					FERTILITY ★★★			COW VALUE ★★★	GROWTH VALUE	PRODUCTION VALUE
	105 ₇₆	91 ₆₃	99 ₇₄	108 ₃₂						91 ₃₈									
Birth wght	Birth Mat	Milk	Wean wght	Post wean	Mature wght	ADG	Kleiber	FCR	Length	Height	SC	AFC	ICP	★★★					
Breeding value index	104	107	91	99	107	92	98	107	-	93	87	102	97	91	97 ₅₁				
Breeding value	.3 ₇₈	-.06 ₆₁	-.8 ₆₃	2.9 ₇₄	10.8 ₆₆	0 ₃₂	86 ₁₄	30 ₁₄	-	18 ₁₅	5 ₁₈	12.5 ₂₂	1.2 ₅₅	.4 ₂₁	In Vitro				
Weights/Index	28(6.9%)			188 (97)	221(112)	289(107)									Flushings/Embrios/Calves: 0/0/0 Tests: -				
Remarks:	Dragtig by HBH12-43 om W2016 te kalf														Vacc. -				

LOT 46

0442495, S.A. WELZ, POSBUS 521695, SAXONWOLD, 2132, (T)011-447 2858



Naam **BLOMVLEI** Ident. nommer **SW 100046** Geslag **VROULIK** Afdeling **SP** Reg. nommer **0071680433** Geboorte Datum **14-OCT-10**

100046

DNS: -

BLOMVLEI SW 100046 - SP H
0071680433 - 14-OCT-10 5%
OEK 34.9 TKP 454
RI 95
Oud. / Kalwers 5j. 6md. / 2
Gem SI/Kalf: 109 / 2
KALWINGS
09/13 ,12/14

MEGA M 030004 - SP P
0048821201 - 23-FEB-03 10%

BLOMVLEI SW 060066 - B H
0063613541 - 23-OCT-06 5%

OEK 34.9 TKP 393
RI 101 Gem SI/Kalf: 113 / 3
Oud. / Kalwers 5j. 11md. / 3

ZW BOOMERANG BG 940025 - SP -
0036749745 - 04-OCT-94 3%

ZW BOOMERANG BG 980107 - SP -
0044845782 - 07-NOV-98 3%

OEK 38.6 TKP 407
RI 101 Gem SI/Kalf: 98 / 4
Oud. / Kalwers 16j. 7md. / 9

NONNIE CR 010015 - SP P
0044826162 - 25-JUL-01 12%

BLOMVLEI SW 980045 - A -
0043368414 - 02-NOV-98 7%

OEK - TKP 370
RI 115 Gem SI/Kalf: 100 / 11
Oud. / Kalwers 13j. 8md. / 11

ZW BOOMERANG BG 880076 - SP -
0034072850 - 07-DEC-88 1%

ZW BOOMERANG BG 900001 - SP -
0046221602 - 16-OCT-90 4%

ZW BOOMERANG BG 930025 - SP -
0037012291 - 12-NOV-93 4%

ZW BOOMERANG BG 930053 - SP -
0044845261 - 18-NOV-93 0%

NONNIE CR 960004 - SP -
0036882744 - 29-JUL-96 7%

NONNIE CR 960001 - SP -
0035540202 - 20-MAR-96 6%

- LB 950090 - SP -
0038911681 - 01-NOV-95 6%

JAMBO J 941886 - SP -
0035228253 - 11-SEP-94 9%

Seleksie waarde	KALF GEMAK ★★★		MELK ★★★		KALFGROEI ★★★		ONDERHOUD ★★★		GROEI TOETS					VRUGBAARHEID ★★★			KOEI WAARDE ★★★★	GROEI WAARDE ★★★	PRODUKSIE WAARDE ★★★★
	100 ₇₆	116 ₆₃	109 ₇₄	106 ₃₈						126 ₄₂									
Geb gew	Geb Mat	Melk	Speen gew	Naspeen	Volw. gewig	GDT	Kleiber	VOV	Lengte	Hoogte	SO	OEK	TKP	★★★★					
Teeltwaarde index	98	118	116	109	109	94	99	97	-	101	98	99	108	126	130 ₅₄				
Teeltwaarde	.82 ₇₈	-.44 ₆₁	6.6 ₆₃	6.7 ₇₄	12 ₆₇	2 ₃₈	90 ₁₆	17 ₁₈	-	25 ₂₂	12 ₂₄	11 ₂₄	-8.6 ₅₇	-8.4 ₂₇	In Vitro				
Gewig/Index	28(7.1%)			213 (112)	210(106)	292(109)									Spoelings/Embrios/Kalwers: 0/0/0 Toetse: -				
Opmerkings:	Dragtig by XY12-25 /SW 12-21 om W2016 te kalf. Doen DNA														Inent. -				

LOT 47

0442495, S.A. WELZ, POSBUS 521695, SAXONWOLD, 2132, (T)011-447 2858



Name Ident. number Sex Section Reg. number Birth Date
BLOMVLEI SW 100005 FEMALE B 0070486915 25-MAR-10

10 0005

DNA: -

BLOMVLEI SW 100005 - B H
 0070486915 - 25-MAR-10 1%

AFC 38.4 ICP 406
 RI 94
 Age / Calves 6j. 0md. / 3
 Avg. Wt/Calv: 129 / 2
 CALVINGS
 06/13 ,08/14 ,
 08/15

BLOMVLEI SW 060039 - SP P
 0063613590 - 02-SEP-06 4%

BUROWILL ASE 990042 - A -
 0042471466 - 07-OCT-99 0%

AFC 28.7 ICP 424
 RI 104 Avg. Wt/Calv: 110 / 10
 Age / Calves 16j. 3md. / 12

MOTSWIRI AJB 020021 - B -
 0046814281 - 24-SEP-02 5%

- HT 990005 - SP -
 0044845857 - 16-MAY-99 2%

AFC - ICP 433
 RI 93 Avg. Wt/Calv: 100 / 7
 Age / Calves 12j. 12md. / 7

- J 960107 - SP -
 0041181660 - 13-AUG-96 2%

BUROWILL ASE 960016 - BS -
 0042274274 - 01-OCT-96 0%

AFC - ICP -
 RI - Avg. Wt/Calv: 98 / 1
 Age / Calves 3j. 7md. / 1

ZW BOOMERANG BG 950027 - SP -
 0043247139 - 04-NOV-95 3%

MOTSWIRI AJB 960101 - A -
 0042274480 - 10-OCT-96 0%

ZW BOOMERANG BG 950103 - SP -
 0044845451 - 25-NOV-95 4%

- HT 950030 - SP -
 0044845428 - 21-NOV-95 0%

- LB93235 - SP -
 0038486445 - 14-DEC-93 1%

JAMBO J931777 - -
 0045069416 - 10-AUG-93 8%

---- -
 --- -%

---- -
 --- -%

Selection value	CALVING EASE		MILK	CALF GRWTH	MAINTENANCE	GROWTH TEST						FERTILITY			COW VALUE	GROWTH VALUE	PRODUCTION VALUE
	★	★	★★★★★	★★★★★	★	ADG	Kleiber	FCR	Length	Height	SC	AFC	ICP	★★★			
	68 ₇₆		148 ₅₈	117 ₆₆	66 ₃₃									90 ₄₀			
Birth wght	Birth Mat	Milk	Wean wght	Post wean	Mature wght												
62	86	148	117	116	134	129	126	-	126	119	123	90	92	115 ₄₉	121 ₂₂	121 ₄₄	
3.64 ₇₈	.61 ₆₃	16.3 ₅₈	9.3 ₆₆	15.8 ₅₉	45 ₃₃	178 ₂₀	54 ₂₀	-	46 ₁₉	24 ₂₁	21.9 ₂₄	8 ₅₄	.1 ₂₅	In Vitro			
43(7.6%)			206 (120)	257(115)	273(113)									Flushings/Embrios/Calves: 0/0/0			
Remarks:														Tests: -			
Loop by bul HBH12-43 om S2016 te kalf. Verkoop met bulkalf SW15-30 P679/16 vaar XY12-25														Vacc. -			

LOT 48

0442495, S.A. WELZ, POSBUS 521695, SAXONWOLD, 2132, (T)011-447 2858



Naam Ident. nommer Geslag Afdeling Reg. nommer Geboorte Datum
BLOMVLEI SW 100033 VROULIK B 0071491682 28-SEP-10

100033

DNS: -

BLOMVLEI SW 100033 - B P
 0071491682 - 28-SEP-10 2%

OEK 36.5 TKP 397
 RI 98
 Oud. / Kalwers 5j. 6md. / 3
 Gem SI/Kalf: 100 / 1
 KALWINGS
 10/13 ,01/15 ,
 12/15

BLOMVLEI SW 060039 - SP P
 0063613590 - 02-SEP-06 4%

BLOMVLEI SW 020020 - A -
 0046361598 - 29-AUG-02 0%

OEK - TKP 440
 RI 99 Gem SI/Kalf: 105 / 6
 Oud. / Kalwers 9j. 8md. / 6

MOTSWIRI AJB 020021 - B -
 0046814281 - 24-SEP-02 5%

- HT 990005 - SP -
 0044845857 - 16-MAY-99 2%

OEK - TKP 433
 RI 93 Gem SI/Kalf: 100 / 7
 Oud. / Kalwers 12j. 12md. / 7

---- -
 --- -%

---- -
 --- -%

BLOMVLEI SW 990007 - SP -
 0042435594 - 24-SEP-99 3%

OEK 35.2 TKP 403
 RI 105 Gem SI/Kalf: 105 / 11
 Oud. / Kalwers 14j. 10md. / 11

ZW BOOMERANG BG 950027 - SP -
 0043247139 - 04-NOV-95 3%

MOTSWIRI AJB 960101 - A -
 0042274480 - 10-OCT-96 0%

ZW BOOMERANG BG 950103 - SP -
 0044845451 - 25-NOV-95 4%

- HT 950030 - SP -
 0044845428 - 21-NOV-95 0%

---- -
 --- -%

---- -
 --- -%

- ELK 940506 - SP -
 0041181876 - 04-AUG-94 12%

BLOMVLEI SW 960001 - B -
 0037212651 - 18-OCT-96 0%

Seleksie waarde	KALF GEMAK		MELK	KALFGROEI	ONDERHOUD	GROEI TOETS						VRUGBAARHEID			KOEI WAARDE	GROEI WAARDE	PRODUKSIE WAARDE
	★★	★★	★★★★★	★★★★★	★★	GDT	Kleiber	VOV	Lengte	Hoogte	SO	OEK	TKP	★★★			
	86 ₆₃		111 ₅₅	117 ₆₂	82 ₂₉									108 ₄₀			
Geb gew	Geb Mat	Melk	Speen gew	Naspeen	Volw. gewig												
85	105	111	117	124	118	116	117	-	114	108	110	93	111	110 ₄₆	107 ₂₃	109 ₄₁	
1.81 ₆₄	0 ₅₃	5.1 ₅₅	9.2 ₆₂	20.4 ₅₇	27 ₂₉	139 ₂₁	43 ₂₁	-	35 ₂₁	17 ₂₃	16.3 ₂₆	4.9 ₅₃	-4.4 ₂₆	In Vitro			
26(4.3%)			153 (100)	200(101)	269(100)									Spoelings/Embrios/Kalwers: 0/0/0			
Opmerkings:														Toetse: -			
Loop by SW10-52 om S2016 te kalf. Verkoop met bulkalf SW15-68 vaar SW10-52														Inent. -			

LOT 49

0442495, S.A. WELZ, POSBUS 521695, SAXONWOLD, 2132, (T)011-447 2858



Name **BLOMVLEI** Ident. number **SW 100053** Sex **FEMALE** Section **B** Reg. number **0071976799** Birth Date **04-NOV-10**

100053

DNA: -

BLOMVLEI SW 100053 - B **P**
0071976799 - 04-NOV-10 **2%**
AFC **34.3** ICP **424**
RI **98**
Age / Calves **5j. 5md. / 2**
Avg. Wt/Calv: **88 / 2**
CALVINGS
09/13 ,11/14

BLOMVLEI SW 060039 - SP **P**
0063613590 - 02-SEP-06 **4%**

BLOMVLEI SW 040121 - A **-**
0049336704 - 01-DEC-04 **0%**

AFC **-** ICP **368**
RI **115** Avg. Wt/Calv: **117 / 5**
Age / Calves **7j. 10md. / 5**

MOTSWIRI AJB 020021 - B **-**
0046814281 - 24-SEP-02 **5%**

- HT 990005 - SP **-**
0044845857 - 16-MAY-99 **2%**

AFC **-** ICP **433**
RI **93** Avg. Wt/Calv: **100 / 7**
Age / Calves **12j. 12md. / 7**

---- **-**
--- **-%**

- HT 990001 - SP **-**
0044845840 - 10-JAN-99 **5%**

AFC **-** ICP **367**
RI **102** Avg. Wt/Calv: **100 / 7**
Age / Calves **11j. 3md. / 7**

ZW BOOMERANG BG 950027 - SP **-**
0043247139 - 04-NOV-95 **3%**

MOTSWIRI AJB 960101 - A **-**
0042274480 - 10-OCT-96 **0%**

ZW BOOMERANG BG 950103 - SP **-**
0044845451 - 25-NOV-95 **4%**

- HT 950030 - SP **-**
0044845428 - 21-NOV-95 **0%**

---- **-**
--- **-%**

---- **-**
--- **-%**

- DK 952447 - SP **-**
0044845477 - 13-OCT-95 **4%**

- HT 950015 - SP **-**
0044845410 - 21-OCT-95 **4%**

Selection value	CALVING EASE ★★		MILK ★★★		CALF GRWTH. ★★★★		MAINTENANCE ★★★		GROWTH TEST					FERTILITY ★★★★			COW VALUE ★★★	GROWTH VALUE ★★★	PRODUCTION VALUE ★★★
	88 ₇₆	102 ₆₃	110 ₇₅	91 ₃₉						119 ₃₇									
Birth wght	Birth Mat	Milk	Wean wght	Post wean	Mature wght	ADG	Kleiber	FCR	Length	Height	SC	AFC	ICP	In Vitro					
88	100	102	110	115	109	116	121	-	110	107	104	105	119	104 ₅₂	109 ₂₂	108 ₄₆			
1.56 ₇₈	.17 ₆₀	2.6 ₆₃	6.9 ₇₅	15.2 ₆₇	19 ₃₉	138 ₂₀	47 ₂₀	-	32 ₂₀	17 ₂₂	13.5 ₂₄	-5.8 ₅₃	-6.6 ₂₁	In Vitro					
33(6.8%)			201 (111)	221(112)	303(104)									Flushings/Embrios/Calves: 0/0/0					
Remarks: Dragtig by SW10-52 om W2016 te kalf														Vacc. -					

LOT 50

0442495, S.A. WELZ, POSBUS 521695, SAXONWOLD, 2132, (T)011-447 2858



Naam **BLOMVLEI** Ident. nommer **SW 100058** Geslag **VROULIK** Afdeling **B** Reg. nommer **0071976849** Geboorte Datum **07-NOV-10**

100058

DNS: -

BLOMVLEI SW 100058 - B **P**
0071976849 - 07-NOV-10 **1%**
OEK **37** TKP **526**
RI **85**
Oud. / Kalwers **5j. 5md. / 2**
Gem SI/Kalf: **99 / 2**
KALWINGS
12/13 ,05/15

BLOMVLEI SW 060039 - SP **P**
0063613590 - 02-SEP-06 **4%**

BUROWILL ASE 990056 - A **-**
0042514505 - 24-OCT-99 **0%**

OEK **27.6** TKP **395**
RI **111** Gem SI/Kalf: **105 / 9**
Oud. / Kalwers **12j. 11md. / 10**

MOTSWIRI AJB 020021 - B **-**
0046814281 - 24-SEP-02 **5%**

- HT 990005 - SP **-**
0044845857 - 16-MAY-99 **2%**

OEK **-** TKP **433**
RI **93** Gem SI/Kalf: **100 / 7**
Oud. / Kalwers **12j. 12md. / 7**

- J 960107 - SP **-**
0041181660 - 13-AUG-96 **2%**

BUROWILL ASE 960014 - BS **-**
0042274266 - 01-OCT-96 **0%**

OEK **-** TKP **-**
RI **-** Gem SI/Kalf: **101 / 1**
Oud. / Kalwers **3j. 7md. / 1**

ZW BOOMERANG BG 950027 - SP **-**
0043247139 - 04-NOV-95 **3%**

MOTSWIRI AJB 960101 - A **-**
0042274480 - 10-OCT-96 **0%**

ZW BOOMERANG BG 950103 - SP **-**
0044845451 - 25-NOV-95 **4%**

- HT 950030 - SP **-**
0044845428 - 21-NOV-95 **0%**

- LB93235 - SP **-**
0038486445 - 14-DEC-93 **1%**

JAMBO J931777 **--**
0045069416 - 10-AUG-93 **8%**

---- **-**
--- **-%**

---- **-**
--- **-%**

Seleksie waarde	KALF GEMAK ★★★		MELK ★★★★		KALFGROEI ★★		ONDERHOUD ★★★		GROEI TOETS					VRUGBAARHEID ★★			KOEI WAARDE ★★★	GROEI WAARDE ★★★	PRODUKSIE WAARDE ★★★
	105 ₇₆	124 ₆₄	85 ₇₅	100 ₃₀						85 ₃₈									
Geb gew	Geb Mat	Melk	Speen gew	Naspeen	Volw. gewig	GDT	Kleiber	VOV	Lengte	Hoogte	SO	OEK	TKP	In Vitro					
106	95	124	85	99	100	102	111	-	97	95	11.1 ₂₄	99	85	106 ₅₁	102 ₂₂	104 ₄₅			
.17 ₇₈	.32 ₆₂	9.1 ₆₄	-1.9 ₇₅	6.2 ₆₈	9 ₃₀	98 ₂₀	35 ₂₀	-	21 ₁₉	10 ₂₁	11.1 ₂₄	-6 ₅₄	2.1 ₂₂	In Vitro					
29(5.8%)			172 (95)	187 (95)	297(103)									Spoelings/Embrios/Kalwers: 0/0/0					
Opmerkings: Dragtig by HBH12-43 om W2016 te kalf														Inent. -					

LOT 51

0442495, S.A. WELZ, POSBUS 521695, SAXONWOLD, 2132, (T)011-447 2858



Name Ident. number Sex Section Reg. number Birth Date
BLOMVLEI SW 100068 FEMALE SP 0072302219 06-DEC-10

100068

DNA: -

BLOMVLEI SW 100068 - SP P
 0072302219 - 06-DEC-10 7%

AFC 34.2 ICP 402
 RI 100
 Age / Calves 5j. 4md. / 2
 Avg. Wt/Calv: / 0
 CALVINGS
 10/13 ,11/14

MEGA M 030004 - SP P
 0048821201 - 23-FEB-03 10%

BLOMVLEI SW 060017 - SP P
 0062624911 - 01-MAY-06 14%

AFC 40.7 ICP 563
 RI 74 Avg. Wt/Calv: 98 / 3
 Age / Calves 7j. 3md. / 3

ZW BOOMERANG BG 940025 - SP -
 0036749745 - 04-OCT-94 3%

ZW BOOMERANG BG 980107 - SP -
 0044845782 - 07-NOV-98 3%

AFC 38.6 ICP 407
 RI 101 Avg. Wt/Calv: 98 / 4
 Age / Calves 16j. 7md. / 9

BLOMVLEI SW 000003 - SP -
 0043675644 - 21-SEP-00 4%

BLOMVLEI SW 960004 - SP -
 0037212685 - 25-OCT-96 3%

AFC 35.3 ICP 400
 RI 105 Avg. Wt/Calv: 106 / 12
 Age / Calves 15j. 11md. / 12

ZW BOOMERANG BG 880076 - SP -
 0034072850 - 07-DEC-88 1%

ZW BOOMERANG BG 900001 - SP -
 0046221602 - 16-OCT-90 4%

ZW BOOMERANG BG 930025 - SP -
 0037012291 - 12-NOV-93 4%

ZW BOOMERANG BG 930053 - SP -
 0044845261 - 18-NOV-93 0%

ZW BOOMERANG BG 960016 - SP -
 0043293208 - 18-AUG-96 5%

BLOMVLEI SW 950025 - SP -
 0034854802 - 03-DEC-95 25%

- J 922802 - SP -
 0033733973 - 26-JUN-92 11%

ZW BOOMERANG BG 900039 - SP -
 0028628998 - 11-OCT-90 1%

Selection value	CALVING EASE ☆☆☆		MILK ☆☆☆		CALF GRWTH. ☆☆		MAINTENANCE ☆☆☆☆			GROWTH TEST					FERTILITY ☆☆☆			COW VALUE ☆☆☆	GROWTH VALUE ☆☆	PRODUCTION VALUE ☆☆☆
	95 ₇₆	106 ₆₁	86 ₇₂	121 ₂₈	ADG		Kleiber	FCR	Length	Height	SC	AFC	ICP	107 ₄₁						
Birth wght	Birth Mat	Milk	Wean wght	Post wean	Mature wght	ADG	Kleiber	FCR	Length	Height	SC	AFC	ICP	94 ₅₀	89 ₂₄	90 ₄₅				
94	102	106	86	87	79	82	89	-	81	84	84	114	104	In Vitro						
1.09 ₇₈	.08 ₆₁	3.7 ₆₁	-1.8 ₇₂	-.8 ₆₆	-14 ₂₈	38 ₂₀	7 ₂₀	-	7 ₂₄	3 ₂₇	4.4 ₂₈	13.4 ₅₆	-2.8 ₂₆	Flushings/Embrios/Calves: 0/0/0						
31(8.4%)			169 (91)	187 (93)	278 (95)									Tests: -						
Remarks: Dragtig by HBH12-43 om W2016 te kalf														Vacc. -						

LOT 52

0442495, S.A. WELZ, POSBUS 521695, SAXONWOLD, 2132, (T)011-447 2858



Naam Ident. nommer Geslag Afdeling Reg. nommer Geboorte Datum
BLOMVLEI SW 100047 VROULIK SP 0071680441 17-OCT-10

100047

DNS: P3656/15

BLOMVLEI SW 100047 - SP P
 0071680441 - 17-OCT-10 8%

OEK 36.4 TKP 374
 RI 101
 Oud. / Kalwers 5j. 5md. / 3
 Gem SI/Kalf: 95 / 1
 KALWINGS
 10/13 ,12/14 ,
 11/15

MEGA M 030004 - SP P
 0048821201 - 23-FEB-03 10%

BLOMVLEI SW 970011 - SP -
 0038881553 - 10-OCT-97 6%

OEK 35.4 TKP 371
 RI 111 Gem SI/Kalf: 101 / 12
 Oud. / Kalwers 14j. 12md. / 12

ZW BOOMERANG BG 940025 - SP -
 0036749745 - 04-OCT-94 3%

ZW BOOMERANG BG 980107 - SP -
 0044845782 - 07-NOV-98 3%

OEK 38.6 TKP 407
 RI 101 Gem SI/Kalf: 98 / 4
 Oud. / Kalwers 16j. 7md. / 9

ZW BOOMERANG BG 940032 - SP -
 0036749752 - 11-OCT-94 3%

BLOMVLEI SW 930005 - SP -
 0029429016 - 10-NOV-93 5%

OEK 25.9 TKP 463
 RI 100 Gem SI/Kalf: 110 / 8
 Oud. / Kalwers 12j. 5md. / 8

ZW BOOMERANG BG 880076 - SP -
 0034072850 - 07-DEC-88 1%

ZW BOOMERANG BG 900001 - SP -
 0046221602 - 16-OCT-90 4%

ZW BOOMERANG BG 930025 - SP -
 0037012291 - 12-NOV-93 4%

ZW BOOMERANG BG 930053 - SP -
 0044845261 - 18-NOV-93 0%

ZW BOOMERANG BG 880076 - SP -
 0034072850 - 07-DEC-88 1%

ZW BOOMERANG BG 880090 - SP -
 0046203501 - 29-DEC-88 5%

- LB8985 - SP -
 0029378684 - 28-SEP-89 5%

ZW BOOMERANG BG 900044 - SP -
 0028629012 - 22-OCT-90 5%

Seleksie waarde	KALF GEMAK ☆☆☆		MELK ☆☆☆		KALFGROEI ☆☆☆		ONDERHOUD ☆☆☆			GROEI TOETS					VRUGBAARHEID ☆☆☆☆			KOEI WAARDE ☆☆☆	GROEI WAARDE ☆☆☆	PRODUKSIE WAARDE ☆☆☆
	91 ₇₇	98 ₆₄	106 ₇₄	93 ₃₂	GDT		Kleiber	VOV	Lengte	Hoogte	SO	OEK	TKP	111 ₄₄						
Geb gew	Geb Mat	Melk	Speen gew	Naspeen	Volw. gewig	GDT	Kleiber	VOV	Lengte	Hoogte	SO	OEK	TKP	97 ₅₃	97 ₂₃	97 ₄₇				
1.17 ₇₉	.58 ₆₃	1.2 ₆₄	5.3 ₇₄	6.4 ₆₆	17 ₃₂	83 ₁₉	21 ₁₉	-	21 ₂₄	8 ₂₇	6.1 ₂₇	-1.9 ₅₇	-4.8 ₃₀	In Vitro						
30(6.3%)			209 (109)	189 (92)	264 (96)									Spoelings/Embrios/Kalwers: 0/0/0						
Opmerkings: Loop by bul SW13-05 om S2016 te kalf. Verkoop met verskalf SW15-56 vaar SW10-52														Inent. -						

LOT 53

0442495, S.A. WELZ, POSBUS 521695, SAXONWOLD, 2132, (T)011-447 2858



Name Ident. number Sex Section Reg. number Birth Date
BLOMVLEI SW 100066 FEMALE B 0072056534 30-NOV-10

10 0066

DNA: -

BLOMVLEI SW 100066 - B P
 0072056534 - 30-NOV-10 3%

AFC 32.6 ICP 401
 RI 104
 Age / Calves 5j. 4md. / 3
 Avg. Wt/Calv: 106 / 1
 CALVINGS
 08/13, 12/14, 10/15

MEGA M 030004 - SP P
 0048821201 - 23-FEB-03 10%

BLOMVLEI SW 061069 - A -
 0070336334 - 25-OCT-06 0%

AFC - ICP 362
 RI 117 Avg. Wt/Calv: 107 / 2
 Age / Calves 5j. 11md. / 2

ZW BOOMERANG BG 940025 - SP -
 0036749745 - 04-OCT-94 3%

ZW BOOMERANG BG 980107 - SP -
 0044845782 - 07-NOV-98 3%

AFC 38.6 ICP 407
 RI 101 Avg. Wt/Calv: 98 / 4
 Age / Calves 16j. 7md. / 9

NONNIE CR 010015 - SP P
 0044826162 - 25-JUL-01 12%

---- -
 --- -%
 --- -%
 --- -%

Avg. Wt/Calv: -

ZW BOOMERANG BG 880076 - SP -
 0034072850 - 07-DEC-88 1%

ZW BOOMERANG BG 900001 - SP -
 0046221602 - 16-OCT-90 4%

ZW BOOMERANG BG 930025 - SP -
 0037012291 - 12-NOV-93 4%

ZW BOOMERANG BG 930053 - SP -
 0044845261 - 18-NOV-93 0%

NONNIE CR 960004 - SP -
 0036882744 - 29-JUL-96 7%

NONNIE CR 960001 - SP -
 0035540202 - 20-MAR-96 6%

---- -
 --- -%
 --- -%
 --- -%

Selection value	CALVING EASE		MILK		CALF GRWTH		MAINTENANCE			GROWTH TEST					FERTILITY			COW VALUE	GROWTH VALUE	PRODUCTION VALUE
	☆☆	☆☆☆☆	☆☆☆☆	☆☆☆☆	☆☆☆☆	☆☆☆☆	ADG	Kleiber	FCR	Length	Height	SC	AFC	ICP	☆☆☆☆	☆☆☆☆	☆☆☆☆			
	70 ₇₄	117 ₆₀	119 ₇₁	98 ₃₀										134 ₄₂	115 ₅₁	104 ₂₄	110 ₄₆			
Birth wght	70	117	119	118	102	106	106	-	104	104	99	132	128							
Birth Mat	70	99	117	119	118	102	106	106	-	104	104	99	132	128						
Breeding value index	2.99 ₇₆	.19 ₅₈	7.1 ₆₀	10.1 ₇₁	16.9 ₆₄	11 ₃₀	110 ₂₁	29 ₂₁	-	27 ₂₅	15 ₂₆	11 ₂₆	29.9 ₅₄	-8.2 ₂₉	In Vitro					
Breeding value	2.99	.19	7.1	10.1	16.9	11	110	29	-	27	15	11	29.9	-8.2	Flushings/Embrios/Calves: 0/0/0					
Weights/Index	37(9.4%)		203 (110)	230(116)	319(108)										Tests: -					
Remarks:	Loop by bul SW13-05/ SW10-52 om S2016 te kalf. Doen DNA. Verkoop met bulkalf SW15-36 vaar SW10-52														Vacc. -					

LOT 54

0442495, S.A. WELZ, POSBUS 521695, SAXONWOLD, 2132, (T)011-447 2858



Naam Ident. nommer Geslag Afdeling Reg. nommer Geboorte Datum
BLOMVLEI SW 100067 VROULIK SP 0072056542 01-DEC-10

10 0067

DNS: -

BLOMVLEI SW 100067 - SP P
 0072056542 - 01-DEC-10 7%

OEK 34.7 TKP 614
 RI 84
 Oud. / Kalwers 5j. 4md. / 2
 Gem SI/Kalf: 86 / 1
 KALWINGS
 10/13, 06/15

HBH HBH 030739 - B PP
 0048040240 - 10-OCT-03 4%

BLOMVLEI SW 020013 - SP H
 0046107686 - 30-JUN-02 9%

OEK 35.8 TKP 386
 RI 106 Gem SI/Kalf: 101 / 7
 Oud. / Kalwers 11j. 1md. / 8

ZW BOOMERANG BG 960053 - SP -
 0043293216 - 10-NOV-96 4%

HBH HBH 950103 - A -
 0035200708 - 27-OCT-95 6%

OEK 35.2 TKP 370
 RI 109 Gem SI/Kalf: 95 / 7
 Oud. / Kalwers 9j. 12md. / 7

- ELK 940506 - SP -
 0041181876 - 04-AUG-94 12%

BLOMVLEI SW 990031 - SP -
 0042540229 - 20-OCT-99 4%

OEK 32.3 TKP 480
 RI 92 Gem SI/Kalf: 94 / 5
 Oud. / Kalwers 16j. 5md. / 11

ZW BOOMERANG BG 870120 - SP -
 0034072884 - 22-NOV-87 1%

ZW BOOMERANG BG 900016 - SP -
 0043293158 - 10-NOV-90 1%

WALTERTON SJB 870007 - SP -
 0013970975 - 18-APR-87 9%

HBH HBH 920029 - BS -
 0032335622 - 22-SEP-92 0%

ZW BOOMERANG BG 850108 - SP -
 0022173868 - 17-DEC-85 9%

JAMBO J891331 --
 0045069705 - 03-SEP-89 13%

ZW BOOMERANG BG 920001 - SP -
 0034054650 - 11-NOV-92 7%

BLOMVLEI SW 950006 - SP -
 0034222240 - 05-AUG-95 6%

Seleksie waarde	KALF GEMAK		MELK		KALFGROEI		ONDERHOUD			GROEI TOETS					VRUGBAARHEID			KOEI WAARDE	GROEI WAARDE	PRODUKSIE WAARDE
	☆☆	☆☆	☆☆☆☆	☆☆☆☆	☆☆☆☆	☆☆☆☆	GDT	Kleiber	VOV	Lengte	Hoogte	SO	OEK	TKP	☆☆	☆☆	☆☆			
	89 ₇₆	81 ₆₄	114 ₇₅	93 ₃₅										82 ₄₂	85 ₅₃	96 ₃₃	90 ₄₉			
Geb gew	90	97	114	114	107	92	90	-	97	104	106	104	79							
Geb Mat	90	97	114	114	107	92	90	-	97	104	106	104	79							
Teeltwaarde index	1.43 ₇₈	.26 ₆₃	-3.8 ₆₄	8.2 ₇₅	14.5 ₆₈	16 ₃₅	66 ₃₀	8 ₃₀	-	21 ₃₄	15 ₃₇	14.4 ₃₆	-4.7 ₅₇	3.3 ₂₈	In Vitro					
Teeltwaarde	1.43	.26	-3.8	8.2	14.5	16	66	8	-	21	15	14.4	-4.7	3.3	Spoelings/Embrios/Kalwers: 0/0/0					
Gewig/Index	35(7.5%)		191 (103)	202(100)	310(105)										Toetse: -					
Opmerkings:	Loop by bul XY12-25/ SW10-18 om S2016 te kalf. Doen DNA														Inent. -					

LOT 59

0442495, S.A. WELZ, POSBUS 521695, SAXONWOLD, 2132, (T)011-447 2858



Name Ident. number Sex Section Reg. number Birth Date
BLOMVLEI SW 110008 FEMALE SP 0073313496 27-APR-11

11 0008

DNA: -

BLOMVLEI SW 110008 - SP P
 0073313496 - 27-APR-11 1%

AFC 41.9 ICP 408
 RI 83
 Age / Calves 4j. 11md. / 2
 Avg. WI/Calv: 109 / 1
 CALVINGS
 10/14 ,12/15

BLOMVLEI SW 070050 - B P
 0065616161 - 22-SEP-07 1%

MEGA M 040002 - SP P
 0048821524 - 14-MAR-04 5%

BLOMVLEI SW 040075 - A H
 0049135528 - 07-OCT-04 0%

AFC - ICP 454
 RI 96 Avg. WI/Calv: 106 / 6
 Age / Calves 11j. 6md. / 7

- LZ9041 - -
 0045077500 - 01-OCT-90 0%

- LZ916 - -
 0045077518 - 21-AUG-91 0%

AFC - ICP -
 RI - Avg. WI/Calv: / 0
 Age / Calves 24j. 7md. / -

ZW BOOMERANG BG 940025 - SP -
 0036749745 - 04-OCT-94 3%

ZW BOOMERANG BG 980087 - SP -
 0044845733 - 22-OCT-98 6%

 --- -%

BUROWILL ASE 990042 - A -
 0042471466 - 07-OCT-99 0%

ZW BOOMERANG BG 850048 - SP -
 0046172862 - 17-OCT-85 3%

 --- -%

- LZ 880001 - SP -
 0046195467 - 28-MAR-88 0%

- LZ 880057 - SP -
 0046200283 - 03-NOV-88 1%

Selection value	CALVING EASE ☆☆☆		MILK ☆☆☆☆		CALF GRWTH. ☆☆☆		MAINTENANCE ☆☆☆			GROWTH TEST					FERTILITY ☆☆			COW VALUE	GROWTH VALUE	PRODUCTION VALUE
	98 ₇₄	111 ₆₀	94 ₇₂	105 ₃₁									85 ₃₈							
Birth wght	Birth Mat	Milk	Wean wght	Post wean	Mature wght	ADG	Kleiber	FCR	Length	Height	SC	AFC	ICP	☆☆☆						
99	96	111	94	105	95	104	109	-	101	96	96	77	91	☆☆☆	101 ₅₀	-	-			
0.72 ₇₆	0.27 ₅₈	5.3 ₆₀	1.3 ₇₂	9.4 ₆₄	3 ₃₁	103 ₁₃	32 ₁₃	-	24 ₁₅	11 ₁₆	10 ₁₆	19 ₅₄	0.4 ₂₂	In Vitro	Flushings/Embrios/Calves: 0/0/0					
29(6%)			151 (90)	186(105)	217(101)									Tests: -	0/0/0					
Remarks: Skaars Insindi lyn. Loop by bul SW13-05 om S2016 te kalf. Verkoop met verskalf SW15-64 vaar HBH12-43															Vacc. -					

LOT 60

0442495, S.A. WELZ, POSBUS 521695, SAXONWOLD, 2132, (T)011-447 2858



Naam Ident. nommer Geslag Afdeling Reg. nommer Geboorte Datum
BLOMVLEI SW 110011 VROULIK SP 0073313520 02-MAY-11

11 0011

DNS: -

BLOMVLEI SW 110011 - SP P
 0073313520 - 02-MAY-11 5%

OEK 39.2 TKP 486
 RI 83
 Oud. / Kalwers 4j. 11md. / 2
 Gem SI/Kalf: 81 / 1
 KALWINGS
 08/14 ,12/15

BLOMVLEI SW 070050 - B P
 0065616161 - 22-SEP-07 1%

MEGA M 040002 - SP P
 0048821524 - 14-MAR-04 5%

BLOMVLEI SW 040075 - A H
 0049135528 - 07-OCT-04 0%

OEK - TKP 454
 RI 96 Gem SI/Kalf: 106 / 6
 Oud. / Kalwers 11j. 6md. / 7

ZW BOOMERANG BG 850108 - SP -
 0022173868 - 17-DEC-85 9%

ZW BOOMERANG BG 870073 - SP -
 0044844603 - 07-NOV-87 0%

OEK 47 TKP 505
 RI 77 Gem SI/Kalf: / 0
 Oud. / Kalwers 19j. 12md. / 7

ZW BOOMERANG BG 940025 - SP -
 0036749745 - 04-OCT-94 3%

ZW BOOMERANG BG 980087 - SP -
 0044845733 - 22-OCT-98 6%

 --- -%

BUROWILL ASE 990042 - A -
 0042471466 - 07-OCT-99 0%

ZW GUYU GU 782187 - SP -
 0043293034 - 30-OCT-78 10%

ZW BOOMERANG BG 780147 - A -
 0044993228 - 30-SEP-78 4%

ZW BOOMERANG BG 810027 - SP -
 0043568757 - 17-SEP-81 0%

ZW BOOMERANG BG 770264 - SP -
 0044844157 - 15-NOV-77 0%

Seleksie waarde	KALF GEMAK ☆☆☆		MELK ☆☆		KALFGROEI ☆☆☆		ONDERHOUD ☆☆☆			GROEI TOETS					VRUGBAARHEID ☆☆			KOEI WAARDE	GROEI WAARDE	PRODUKSIE WAARDE
	108 ₇₅	84 ₆₀	93 ₇₂	108 ₃₂									84 ₄₁							
Geb gew	Geb Mat	Melk	Speen gew	Naspeen	Volw. gewig	GDT	Kleiber	VOV	Lengte	Hoogte	SO	OEK	TKP	☆☆						
107	103	84	93	94	92	97	103	-	94	97	11.2 ₂₀	72	91	☆☆	87 ₅₁	-				
0.08 ₇₇	0.04 ₅₉	-2.8 ₆₀	1 ₇₂	3.5 ₆₄	0 ₃₂	82 ₁₅	24 ₁₅	-	19 ₁₇	11 ₁₉	11.2 ₂₀	23.5 ₅₈	0.4 ₂₆	In Vitro	Spoelings/Embrios/Kalwers: 0/0/0					
31(8.6%)			160 (95)	166 (91)	207 (94)									Tests: -	0/0/0					
Opmerkings: Loop by bul HBH12-43 om S2016 te kalf. Verkoop met verskalf SW15-65 vaar SW10-18															Inent. -					

LOT 61

0442495, S.A. WELZ, POSBUS 521695, SAXONWOLD, 2132, (T)011-447 2858



Name Ident. number Sex Section Reg. number Birth Date
BLOMVLEI SW 110014 FEMALE SP 0073313546 16-MAY-11

11 0014

DNA: -

BLOMVLEI SW 110014 - SP P
 0073313546 - 16-MAY-11 2%

AFC 35.9 ICP 369
 RI 98
 Age / Calves 4j. 11md. / 2
 Avg. Wt/Calv: 94 / 1
 CALVINGS
 05/14 ,05/15

BLOMVLEI SW 070050 - B P
 0065616161 - 22-SEP-07 1%

BLOMVLEI SW 050028 - SP P
 0060004926 - 09-MAY-05 2%

AFC 36.1 ICP 372
 RI 107 Avg. Wt/Calv: 101 / 6
 Age / Calves 8j. 11md. / 6

MEGA M 040002 - SP P
 0048821524 - 14-MAR-04 5%

BLOMVLEI SW 040075 - A H
 0049135528 - 07-OCT-04 0%

AFC - ICP 454
 RI 96 Avg. Wt/Calv: 106 / 6
 Age / Calves 11j. 6md. / 7

BLOMVLEI SW 010040 - SP -
 0045340163 - 22-OCT-01 6%

BLOMVLEI SW 960001 - B -
 0037212651 - 18-OCT-96 0%

AFC 35.2 ICP 431
 RI 99 Avg. Wt/Calv: 110 / 7
 Age / Calves 11j. 3md. / 7

ZW BOOMERANG BG 940025 - SP -

0036749745 - 04-OCT-94 3%

ZW BOOMERANG BG 980087 - SP -

0044845733 - 22-OCT-98 6%

---- -

--- -%

BUROWILL ASE 990042 - A -

0042471466 - 07-OCT-99 0%

BLOMVLEI SW 950010 - SP -

0034222281 - 06-AUG-95 7%

BLOMVLEI SW 950025 - SP -

0034854802 - 03-DEC-95 25%

BLOMVLEI SW 940001 - SP -

0029429057 - 03-JAN-94 2%

BLOMVLEI SW 940015 - A -

0033721127 - 01-AUG-94 0%

Selection value	CALVING EASE ★★★★		MILK ★★★★		CALF GRWTH. ★★		MAINTENANCE ★★★★			GROWTH TEST					FERTILITY ★★★			COW VALUE ★★★★	GROWTH VALUE	PRODUCTION VALUE
	123 ₇₅	101 ₅₉	87 ₇₁	108 ₂₃	ADG	Kleiber	FCR	Length	Height	SC	AFC	ICP	106 ₄₀							
Birth wght	120	117	101	87	91	92	99	103	-	98	102	98	85	112	111 ₄₈	-	-			
Birth Mat	-	-	-	-	-	-	-	-	-	-	-	-	-	-	-	-	-			
Milk	101	101	101	87	91	92	99	103	-	98	102	98	85	112	111 ₄₈	-	-			
Wean wght	120	117	101	87	91	92	99	103	-	98	102	98	85	112	111 ₄₈	-	-			
Post wean	120	117	101	87	91	92	99	103	-	98	102	98	85	112	111 ₄₈	-	-			
Mature wght	120	117	101	87	91	92	99	103	-	98	102	98	85	112	111 ₄₈	-	-			
ADG	120	117	101	87	91	92	99	103	-	98	102	98	85	112	111 ₄₈	-	-			
Kleiber	120	117	101	87	91	92	99	103	-	98	102	98	85	112	111 ₄₈	-	-			
FCR	120	117	101	87	91	92	99	103	-	98	102	98	85	112	111 ₄₈	-	-			
Length	120	117	101	87	91	92	99	103	-	98	102	98	85	112	111 ₄₈	-	-			
Height	120	117	101	87	91	92	99	103	-	98	102	98	85	112	111 ₄₈	-	-			
SC	120	117	101	87	91	92	99	103	-	98	102	98	85	112	111 ₄₈	-	-			
AFC	120	117	101	87	91	92	99	103	-	98	102	98	85	112	111 ₄₈	-	-			
ICP	120	117	101	87	91	92	99	103	-	98	102	98	85	112	111 ₄₈	-	-			
In Vitro	120	117	101	87	91	92	99	103	-	98	102	98	85	112	111 ₄₈	-	-			
Flushings/Embrios/Calves:	120	117	101	87	91	92	99	103	-	98	102	98	85	112	111 ₄₈	-	-			
Tests: -	120	117	101	87	91	92	99	103	-	98	102	98	85	112	111 ₄₈	-	-			
Remarks:	120	117	101	87	91	92	99	103	-	98	102	98	85	112	111 ₄₈	-	-			
Loop by bul SW13-05 om te kalf S2016	120	117	101	87	91	92	99	103	-	98	102	98	85	112	111 ₄₈	-	-			
Vacc. -	120	117	101	87	91	92	99	103	-	98	102	98	85	112	111 ₄₈	-	-			

LOT 62

0442495, S.A. WELZ, POSBUS 521695, SAXONWOLD, 2132, (T)011-447 2858



Naam Ident. nommer Geslag Afdeling Reg. nommer Geboorte Datum
BLOMVLEI SW 110012 VROULIK SP 0073313538 07-MAY-11

11 0012

DNS: P637/12

BLOMVLEI SW 110012 - SP P
 0073313538 - 07-MAY-11 7%

OEK 39 TKP -
 RI 82
 Oud. / Kalwers 4j. 11md. / 1
 Gem SI/Kalf: 113 / 1
 KALWINGS
 08/14

BLOMVLEI SW 080008 - SP P
 0066297607 - 15-APR-08 6%

BLOMVLEI SW 050043 - SP P
 0061205282 - 15-JUN-05 6%

OEK 36.6 TKP 487
 RI 88 Gem SI/Kalf: 104 / 4
 Oud. / Kalwers 9j. 1md. / 5

PISIRI PS 020118 - SP -
 0047280979 - 24-SEP-02 11%

ZW BOOMERANG BG 990101 - SP -
 0044846087 - 10-DEC-99 7%

OEK 35.3 TKP 419
 RI 102 Gem SI/Kalf: 92 / 11
 Oud. / Kalwers 16j. 4md. / 12

BLOMVLEI SW 010040 - SP -
 0045340163 - 22-OCT-01 6%

ZW BOOMERANG BG 990153 - SP -
 0044846160 - 25-JAN-00 3%

OEK 32.7 TKP 388
 RI 109 Gem SI/Kalf: 98 / 10
 Oud. / Kalwers 14j. 5md. / 12

SIGIDI HKL 972004 - SP -

0040707440 - 25-NOV-97 7%

LARYN JM 940042 - SP -

0032701526 - 28-OCT-94 9%

ZW BOOMERANG BG 930025 - SP -

0037012291 - 12-NOV-93 4%

ZW BOOMERANG BG 890115 - SP -

0044844918 - 05-JAN-90 3%

BLOMVLEI SW 950010 - SP -

0034222281 - 06-AUG-95 7%

BLOMVLEI SW 950025 - SP -

0034854802 - 03-DEC-95 25%

ZW BOOMERANG BG 850108 - SP -

0022173868 - 17-DEC-85 9%

ZW BOOMERANG BG 870073 - SP -

0044844603 - 07-NOV-87 0%

Seleksie waarde	KALF GEMAK ★★★		MELK ★★★		KALFGROEI ★★★★		ONDERHOUD ★★★★			GROEI TOETS					VRUGBAARHEID ★★★			KOEI WAARDE ★★★★	GROEI WAARDE	PRODUKSIE WAARDE
	91 ₇₃	90 ₅₉	106 ₇₂	127 ₃₀	GDT	Kleiber	VOV	Lengte	Hoogte	SO	OEK	TKP	108 ₃₆							
Geb gew	91	90	106	127	99	97	-	102	108	106	84	113	101 ₄₉	-	-	-				
Geb Mat	91	90	106	127	99	97	-	102	108	106	84	113	101 ₄₉	-	-	-				
Melk	91	90	106	127	99	97	-	102	108	106	84	113	101 ₄₉	-	-	-				
Speen gew	91	90	106	127	99	97	-	102	108	106	84	113	101 ₄₉	-	-	-				
Naspeen	91	90	106	127	99	97	-	102	108	106	84	113	101 ₄₉	-	-	-				
Volw. gewig	91	90	106	127	99	97	-	102	108	106	84	113	101 ₄₉	-	-	-				
GDT	91	90	106	127	99	97	-	102	108	106	84	113	101 ₄₉	-	-	-				
Kleiber	91	90	106	127	99	97	-	102	108	106	84	113	101 ₄₉	-	-	-				
VOV	91	90	106	127	99	97	-	102	108	106	84	113	101 ₄₉	-	-	-				
Lengte	91	90	106	127	99	97	-	102	108	106	84	113	101 ₄₉	-	-	-				
Hoogte	91	90	106	127	99	97	-	102	108	106	84	113	101 ₄₉	-	-	-				
SO	91	90	106	127	99	97	-	102	108	106	84	113	101 ₄₉	-	-	-				
OEK	91	90	106	127	99	97	-	102	108	106	84	113	101 ₄₉	-	-	-				
TKP	91	90	106	127	99	97	-	102	108	106	84	113	101 ₄₉	-	-	-				
In Vitro	91	90	106	127	99	97	-	102	108	106	84	113	101 ₄₉	-	-	-				
Spoolings/Embrios/Kalwers:	91	90	106	127	99	97	-	102	108	106	84	113	101 ₄₉	-	-	-				
Toetse: -	91	90	106	127	99	97	-	102	108	106	84	113	101 ₄₉	-	-	-				
Opmerkings:	91	90	106	127	99	97	-	102	108	106	84	113	101 ₄₉	-	-	-				
Dragtig by HBH12-43 om W2016 te kalf	91	90	106	127	99	97	-	102	108	106	84	113	101 ₄₉	-	-	-				
Inent. -	91	90	106	127	99	97	-	102	108	106	84	113	101 ₄₉	-	-	-				

LOT 63

0442495, S.A. WELZ, POSBUS 521695, SAXONWOLD, 2132, (T)011-447 2858



Name Ident. number Sex Section Reg. number Birth Date
BLOMVLEI SW 110015 FEMALE SP 0073313553 18-MAY-11

11 0015

DNA: -

BLOMVLEI SW 110015 - SP P
 0073313553 - 18-MAY-11 3%

AFC 41.4 ICP -
 RI 74
 Age / Calves 4j. 10md. / 1
 Avg. Wt/Calv: 106 / 1
 CALVINGS
 10/14

BLOMVLEI SW 070050 - B P
 0065616161 - 22-SEP-07 1%

BLOMVLEI SW 080005 - SP P
 0066297573 - 10-APR-08 6%

AFC 37.2 ICP -
 RI 87 Avg. Wt/Calv: 88 / 1
 Age / Calves 4j. 6md. / 1

MEGA M 040002 - SP P
 0048821524 - 14-MAR-04 5%

BLOMVLEI SW 040075 - A H
 0049135528 - 07-OCT-04 0%

AFC - ICP 454
 RI 96 Avg. Wt/Calv: 106 / 6
 Age / Calves 11j. 6md. / 7

PISIRI PS 020118 - SP -
 0047280979 - 24-SEP-02 11%

BLOMVLEI SW 050015 - SP P
 0060017902 - 10-APR-05 5%

AFC 36 ICP 430
 RI 97 Avg. Wt/Calv: 99 / 4
 Age / Calves 7j. 6md. / 4

ZW BOOMERANG BG 940025 - SP -
 0036749745 - 04-OCT-94 3%

ZW BOOMERANG BG 980087 - SP -
 0044845733 - 22-OCT-98 6%

---- -
 --- -%

BUROWILL ASE 990042 - A -
 0042471466 - 07-OCT-99 0%

SIGIDI HKL 972004 - SP -
 0040707440 - 25-NOV-97 7%

LARYN JM 940042 - SP -
 0032701526 - 28-OCT-94 9%

NONNIE CR 010015 - SP P
 0044826162 - 25-JUL-01 12%

BLOMVLEI SW 960004 - SP -
 0037212685 - 25-OCT-96 3%

Selection value	CALVING EASE ☆☆☆		MILK ☆☆☆		CALF GRWTH. ☆☆☆		MAINTENANCE ☆☆☆☆			GROWTH TEST					FERTILITY ☆☆			COW VALUE	GROWTH VALUE	PRODUCTION VALUE
	90 ₇₃	92 ₅₉	100 ₇₁	116 ₂₉	ADG	Kleiber	FCR	Length	Height	SC	AFC	ICP	85 ₃₆							
Birth wght	90	100	92	100	97	84	98	102	-	99	104	103	61	96	88 ₄₈	-	-	-		
Birth Mat	1.44 ₇₅	.16 ₅₆	-.4 ₅₉	3.4 ₇₁	4.9 ₆₄	-8 ₂₉	86 ₁₇	23 ₁₇	-	23 ₂₀	15 ₂₂	13 ₂₂	33.4 ₅₄	-8 ₁₇	In Vitro					
Weight/Index	31(8%)			150 (88)	159 (86)	173 (76)									Flushings/Embrios/Calves: 0/0/0					
Remarks:	Dragtig by HBH12-43 om W2016 te kalf														Vacc. -					

LOT 64

0442495, S.A. WELZ, POSBUS 521695, SAXONWOLD, 2132, (T)011-447 2858



Naam Ident. nommer Geslag Afdeling Reg. nommer Geboorte Datum
BLOMVLEI SW 110020 VROULIK B 0073313561 03-JUL-11

11 0020

DNS: -

BLOMVLEI SW 110020 - B H
 0073313561 - 03-JUL-11 3%

OEK 37.2 TKP 438
 RI 91
 Oud. / Kalwers 4j. 9md. / 2
 Gem SI/Kalf: 86 / 1
 KALWINGS
 08/14, 10/15

NONNIE CR 010015 - SP P
 0044826162 - 25-JUL-01 12%

BLOMVLEI SW 080034 - A -
 0072057821 - 29-MAY-08 0%

OEK - TKP 422
 RI 103 Gem SI/Kalf: 93 / 2
 Oud. / Kalwers 7j. 10md. / 3

NONNIE CR 960004 - SP -
 0036882744 - 29-JUL-96 7%

NONNIE CR 960001 - SP -
 0035540202 - 20-MAR-96 6%

OEK 29.1 TKP 360
 RI 116 Gem SI/Kalf: 98 / 9
 Oud. / Kalwers 14j. 2md. / 11

MEGA M 040002 - SP P
 0048821524 - 14-MAR-04 5%

---- -
 --- -%

---- -
 --- -%

Gem SI/Kalf: -

ZW BOOMERANG BG 930086 - SP -
 0034054676 - 14-DEC-93 8%

NONNIE CR 930020 - SP -
 0029029931 - 26-OCT-93 3%

ZW BOOMERANG BG 870021 - SP -
 0027558824 - 19-SEP-87 1%

NONNIE CR 920003 - SP -
 0027023613 - 04-AUG-92 4%

ZW BOOMERANG BG 940025 - SP -
 0036749745 - 04-OCT-94 3%

ZW BOOMERANG BG 980087 - SP -
 0044845733 - 22-OCT-98 6%

---- -
 --- -%

---- -
 --- -%

Seleksie waarde	KALF GEMAK ☆☆☆		MELK ☆☆☆		KALFGROEI ☆☆☆		ONDERHOUD ☆☆☆			GROEI TOETS					VRUGBAARHEID ☆☆☆☆			KOEI WAARDE	GROEI WAARDE	PRODUKSIE WAARDE
	106 ₇₃	90 ₆₁	94 ₇₁	107 ₃₃	GDT	Kleiber	VOV	Lengte	Hoogte	SO	OEK	TKP	114 ₄₂							
Geb gew	104	113	90	94	89	93	96	102	-	92	99	98	115	111	97 ₅₁	97 ₂₆	96 ₄₆			
Geb Mat	.32 ₇₅	-.26 ₅₉	-1 ₆₁	1.1 ₇₁	.4 ₆₄	2 ₃₃	80 ₂₄	24 ₂₄	-	17 ₂₇	12 ₂₉	10.6 ₂₉	14.7 ₅₆	-4.5 ₂₉	In Vitro					
Teeltwaarde															Spoelings/Embrios/Kalwers: 0/0/0					
Teeltwaarde															Toetse: -					
Gewig/Indeks	30(6.8%)			184 (95)	228 (97)	273(103)									Inent. -					
Opmerkings:	Loop by bul HBH12-43 om S2016 te kalf. Verkoop met verskalf SW15-35 vaar SW10-18																			

LOT 65

0442495, S.A. WELZ, POSBUS 521695, SAXONWOLD, 2132, (T)011-447 2858



Name Ident. number Sex Section Reg. number Birth Date
BLOMVLEI SW 110021 FEMALE SP 0073313579 06-JUL-11

11 0021

DNA: P639/12

BLOMVLEI SW 110021 - SP P
 0073313579 - 06-JUL-11 3%

AFC 38.9 ICP 354
 RI 93
 Age / Calves 4j. 9md. / 2
 Avg. Wt/Calv: 125 / 1
 CALVINGS
 10/14 ,09/15

BLOMVLEI SW 070044 - SP SC
 0065591075 - 02-SEP-07 7%

BLOMVLEI SW 070059 - B P
 0065616211 - 01-OCT-07 2%

AFC 33 ICP 386
 RI 108 Avg. Wt/Calv: 102 / 5
 Age / Calves 8j. 6md. / 6

MEGA M 040002 - SP P
 0048821524 - 14-MAR-04 5%

ZW BOOMERANG BG 900039 - SP -
 0028628998 - 11-OCT-90 1%

AFC 36.4 ICP 374
 RI 110 Avg. Wt/Calv: 102 / 15
 Age / Calves 19j. 6md. / 15

PISIRI PS 020118 - SP -
 0047280979 - 24-SEP-02 11%

BUROWILL ASE 990056 - A -
 0042514505 - 24-OCT-99 0%

AFC 27.6 ICP 395
 RI 111 Avg. Wt/Calv: 105 / 9
 Age / Calves 12j. 11md. / 10

ZW BOOMERANG BG 940025 - SP -

0036749745 - 04-OCT-94 3%

ZW BOOMERANG BG 980087 - SP -

0044845733 - 22-OCT-98 6%

ZW BOOMERANG BG 810027 - SP -

0043568757 - 17-SEP-81 0%

ZW BOOMERANG BG 840132 - SP -

0046166294 - 06-OCT-84 14%

SIGIDI HKL 972004 - SP -

0040707440 - 25-NOV-97 7%

LARYN JM 940042 - SP -

0032701526 - 28-OCT-94 9%

- J 960107 - SP -

0041181660 - 13-AUG-96 2%

BUROWILL ASE 960014 - BS -

0042274266 - 01-OCT-96 0%

Selection value	CALVING EASE ☆☆		MILK ☆☆☆		CALF GRWTH. ☆☆☆☆		MAINTENANCE ★		GROWTH TEST					FERTILITY ☆☆☆			COW VALUE	GROWTH VALUE	PRODUCTION VALUE
	78 ₇₅	109 ₆₀	128 ₇₂	64 ₃₂						110 ₃₉									
Birth wght	Birth Mat	Milk	Wean wght	Post wean	Mature wght	ADG	Kleiber	FCR	Length	Height	SC	AFC	ICP	☆☆☆					
78	102	109	128	121	136	117	114	-	120	122	123	93	113	109 ₅₀	-	-			
2.37 ₇₇	.1 ₅₉	4.7 ₆₀	13.4 ₇₂	18.6 ₆₂	47 ₃₂	144 ₁₆	38 ₁₆	-	40 ₁₉	26 ₂₁	21.9 ₂₁	4.7 ₅₄	-5.1 ₂₄	In Vitro					
35(7.1%)			214 (110)	270(115)	297(111)									Flushings/Embrios/Calves: 0/0/0					
Remarks: Uitsonderlijk teelwaarden en TKP. Loop by bul SW13-05 om S2016 te kalf. Verkoop met verskalf SW15-31 vaar HBH12-43														Vacc. -					

LOT 66

0442495, S.A. WELZ, POSBUS 521695, SAXONWOLD, 2132, (T)011-447 2858



Naam Ident. nommer Geslag Afdeling Reg. nommer Geboorte Datum
BLOMVLEI SW 110023 VROULIK B 0073839896 24-JUL-11

110023

DNS: P1053/12

BLOMVLEI SW 110023 - B P
 0073839896 - 24-JUL-11 2%

OEK 39.6 TKP -
 RI 80
 Oud. / Kalwers 4j. 8md. / 1
 Gem SI/Kalf: 96 / 1
 KALWINGS
 11/14

NONNIE CR 010015 - SP P
 0044826162 - 25-JUL-01 12%

BUROWILL ASE 990042 - A -
 0042471466 - 07-OCT-99 0%

OEK 28.7 TKP 424
 RI 104 Gem SI/Kalf: 110 / 10
 Oud. / Kalwers 16j. 3md. / 12

NONNIE CR 960004 - SP -
 0036882744 - 29-JUL-96 7%

NONNIE CR 960001 - SP -
 0035540202 - 20-MAR-96 6%

OEK 29.1 TKP 360
 RI 116 Gem SI/Kalf: 98 / 9
 Oud. / Kalwers 14j. 2md. / 11

- J 960107 - SP -
 0041181660 - 13-AUG-96 2%

BUROWILL ASE 960016 - BS -
 0042274274 - 01-OCT-96 0%

OEK - TKP -
 RI - Gem SI/Kalf: 98 / 1
 Oud. / Kalwers 3j. 7md. / 1

ZW BOOMERANG BG 930086 - SP -

0034054676 - 14-DEC-93 8%

NONNIE CR 930020 - SP -

0029029931 - 26-OCT-93 3%

ZW BOOMERANG BG 870021 - SP -

0027558824 - 19-SEP-87 1%

NONNIE CR 920003 - SP -

0027023613 - 04-AUG-92 4%

- LB93235 - SP -

0038486445 - 14-DEC-93 1%

JAMBO J931777 - -

0045069416 - 10-AUG-93 8%

Seleksie waarde	KALF GEMAK ☆☆		MELK ☆☆☆☆		KALFGROEI ☆☆☆		ONDERHOUD ☆☆☆		GROEI TOETS					VRUGBAARHEID ☆☆☆☆			KOEI WAARDE	GROEI WAARDE	PRODUKSIE WAARDE
	83 ₇₆	116 ₆₄	93 ₇₄	107 ₃₆						120 ₄₂									
Geb gew	Geb Mat	Melk	Speen gew	Naspeen	Volw. gewig	GDT	Kleiber	VOV	Lengte	Hoogte	SO	OEK	TKP	☆☆☆	☆☆☆	☆☆☆			
86	83	116	93	90	93	98	96	-	98	98	110	96	123	99 ₅₃	100 ₂₄	99 ₄₇			
1.75 ₇₇	.72 ₆₃	6.6 ₆₄	.9 ₇₄	1.1 ₆₆	1.36 ₃₆	85 ₂₁	16 ₂₁	-	22 ₂₄	12 ₂₆	11.5 ₂₆	2.1 ₅₈	-7.6 ₂₆	In Vitro					
34(6.2%)			201 (103)	244(103)	257 (95)									Speelings/Embrios/Kalwers: 0/0/0					
Opmerkings: Dragtig by XY1 112-25 / SW12-21 om W2016 te kalf. Doen DNA														Inent. -					

LOT 67

0442495, S.A. WELZ, POSBUS 521695, SAXONWOLD, 2132, (T)011-447 2858



Name Ident. number Sex Section Reg. number Birth Date
BLOMVLEI SW 110027 FEMALE SP 0073958035 25-SEP-11

110027

DNA: -

BLOMVLEI SW 110027 - SP P
 0073958035 - 25-SEP-11 6%

AFC 39.2 ICP -
 RI 81
 Age / Calves 4j. 6md. / 1
 Avg. Wt/Calv: / 0
 CALVINGS
 12/14

GENERAALSDRAAI H 030011 - SP -
 0047197751 - 11-MAY-03 6%

BLOMVLEI SW 080093 - SP P
 0067749317 - 21-NOV-08 3%

AFC 34.1 ICP 453
 RI 96 Avg. Wt/Calv: 100 / 2
 Age / Calves 4j. 9md. / 2

ZW BOOMERANG BG 960092 - SP -
 0043293224 - 30-OCT-96 9%

- LB 950105 - SP -
 0039595996 - 08-NOV-95 10%

AFC - ICP 463
 RI 94 Avg. Wt/Calv: 102 / 6
 Age / Calves 17j. 3md. / 10

PULU PT 010037 - SP -
 0045340189 - 22-OCT-01 10%

- LZ 970062 - SP -
 0042955435 - 21-OCT-97 1%

AFC - ICP 417
 RI 96 Avg. Wt/Calv: 99 / 9
 Age / Calves 14j. 11md. / 9

ZW BOOMERANG BG 900090 - SP -
 0033684234 - 24-DEC-90 3%

ZW BOOMERANG BG 910097 - SP -
 0043293182 - 24-NOV-91 4%

ZW LEBAR LB9117 - - -
 0045055852 - 20-JUN-91 10%

- LB 820014 - SP -
 0046152294 - 23-SEP-82 0%

JAMBO J 942990 - SP -
 0035453182 - 06-JUL-94 12%

SIGIDI HKL 950008 - SP -
 0038230868 - 15-OCT-95 13%

- LZ9041 - - -
 0045077500 - 01-OCT-90 0%

- LZ916 - - -
 0045077518 - 21-AUG-91 0%

Selection value	CALVING EASE ★★★★		MILK ★★		CALF GRWTH. ★★★★		MAINTENANCE ★★★★		GROWTH TEST					FERTILITY ★★★			COW VALUE ★★★	GROWTH VALUE ★★★	PRODUCTION VALUE ★★★
	115 ₇₄	88 ₆₃	100 ₇₃	119 ₃₈						97 ₄₄									
Birth wght	Birth Mat	Milk	Wean wght	Post wean	Mature wght	ADG	Kleiber	FCR	Length	Height	SC	AFC	ICP	In Vitro					
Breeding value index	114	105	88	100	103	81	92	90	-	98	92	92	109	94	108 ₅₄	101 ₃₀	105 ₄₉		
Breeding value	-.46 ₇₆	-.03 ₆₁	-1.7 ₆₃	3.3 ₇₃	8.5 ₆₄	-12 ₃₈	66 ₂₇	8 ₂₇	-	22 ₂₇	8 ₂₉	7.9 ₃₃	-9.2 ₆₁	-4 ₂₈	Flushings/Embrios/Calves: 0/0/0				
Weights/Index	27(7.2%)			176 (101)	188(108)	268(109)									Tests: -				
Remarks:	Dragtig by SW10-52 om W2016 te kalf														Vacc. -				

LOT 68

0442495, S.A. WELZ, POSBUS 521695, SAXONWOLD, 2132, (T)011-447 2858



Naam Ident. nommer Geslag Afdeling Reg. nommer Geboorte Datum
BLOMVLEI SW 110030 VROULIK SP 0073839938 05-OCT-11

110030

DNS: -

BLOMVLEI SW 110030 - SP H
 0073839938 - 05-OCT-11 5%

OEK 37.6 TKP 377
 RI 94
 Oud. / Kalwers 4j. 6md. / 2
 Gem SI/Kalf: / 0
 KALWINGS
 11/14, 12/15

BLOMVLEI SW 060039 - SP P
 0063613590 - 02-SEP-06 4%

BLOMVLEI SW 080084 - SP H
 0067749184 - 07-NOV-08 10%

OEK 34.9 TKP 388
 RI 104 Gem SI/Kalf: 109 / 4
 Oud. / Kalwers 7j. 5md. / 4

MOTSWIRI AJB 020021 - B -
 0046814281 - 24-SEP-02 5%

- HT 990005 - SP -
 0044845857 - 16-MAY-99 2%

OEK - TKP 433
 RI 93 Gem SI/Kalf: 100 / 7
 Oud. / Kalwers 12j. 12md. / 7

PULU PT 010037 - SP -
 0045340189 - 22-OCT-01 10%

BLOMVLEI SW 010057 - SP -
 0045453909 - 16-NOV-01 9%

OEK 36.4 TKP 480
 RI 90 Gem SI/Kalf: 106 / 3
 Oud. / Kalwers 8j. 5md. / 4

ZW BOOMERANG BG 950027 - SP -
 0043247139 - 04-NOV-95 3%

MOTSWIRI AJB 960101 - A -
 0042274480 - 10-OCT-96 0%

ZW BOOMERANG BG 950103 - SP -
 0044845451 - 25-NOV-95 4%

- HT 950030 - SP -
 0044845428 - 21-NOV-95 0%

JAMBO J 942990 - SP -
 0035453182 - 06-JUL-94 12%

SIGIDI HKL 950008 - SP -
 0038230868 - 15-OCT-95 13%

- ELK 940506 - SP -
 0041181876 - 04-AUG-94 12%

- DK 971675 - SP -
 0042955583 - 14-AUG-97 7%

Seleksie waarde	KALF GEMAK ★★★★		MELK ★★★★		KALFGROEI ★★★★		ONDERHOUD ★★★★		GROEI TOETS					VRUGBAARHEID ★★★			KOEI WAARDE ★★★★	GROEI WAARDE ★★★★	PRODUKSIE WAARDE ★★★★
	103 ₇₆	113 ₆₂	111 ₇₃	101 ₂₆						100 ₄₁									
Geb gew	Geb Mat	Melk	Speen gew	Naspeen	Volw. gewig	GDT	Kleiber	VOV	Lengte	Hoogte	SI	OEK	TKP	In Vitro					
Teeltwaarde index	102	105	113	111	99	110	112	-	109	103	110	110	97	124 ₅₀	104 ₂₄	114 ₄₅			
Teeltwaarde	.48 ₇₈	0 ₆₂	5.8 ₆₂	7.4 ₇₃	14 ₆₆	7 ₂₆	123 ₂₁	36 ₂₁	-	31 ₁₇	15 ₂₀	18.2 ₂₈	-9.8 ₅₇	-1.2 ₂₅	Spoelings/Embrios/Kalwers: 0/0/0				
Gewig/Index	27(7.6%)			200 (117)	199(116)	293(120)								Toetse: -					
Opmerkings:	Loop by bul HBH12-43 om S2016 te kalf. Verkoop met verskalf SW15-63 vaar HBH12-43.														Inent. -				

LOT 69

0442495, S.A. WELZ, POSBUS 521695, SAXONWOLD, 2132, (T)011-447 2858



Name Ident. number Sex Section Reg. number Birth Date
BLOMVLEI SW 110064 FEMALE SP 0074522426 03-NOV-11

11 0064

DNA: UP1062/12

BLOMVLEI SW 110064 - SP SC
 0074522426 - 03-NOV-11 6%

AFC 35.7 ICP 387
 RI 98
 Age / Calves 4j. 5md. / 2
 Avg. Wt/Calv: / 0
 CALVINGS
 10/14 , 11/15

BLOMVLEI SW 070044 - SP SC
 0065591075 - 02-SEP-07 7%

BLOMVLEI SW 980033 - SP -
 0040851396 - 19-OCT-98 4%

AFC 34.5 ICP 371
 RI 111 Avg. Wt/Calv: 106 / 11
 Age / Calves 13j. 11md. / 11

MEGA M 040002 - SP P
 0048821524 - 14-MAR-04 5%

ZW BOOMERANG BG 900039 - SP -
 0028628998 - 11-OCT-90 1%

AFC 36.4 ICP 374
 RI 110 Avg. Wt/Calv: 102 / 15
 Age / Calves 19j. 6md. / 15

ZW BOOMERANG BG 940032 - SP -
 0036749752 - 11-OCT-94 3%

- J 911643 - SP -
 0033734062 - 23-OCT-91 16%

AFC - ICP 520
 RI 89 Avg. Wt/Calv: 94 / 4
 Age / Calves 9j. 8md. / 4

ZW BOOMERANG BG 940025 - SP -
 0036749745 - 04-OCT-94 3%

ZW BOOMERANG BG 980087 - SP -
 0044845733 - 22-OCT-98 6%

ZW BOOMERANG BG 810027 - SP -
 0043568757 - 17-SEP-81 0%

ZW BOOMERANG BG 840132 - SP -
 0046166294 - 06-OCT-84 14%

ZW BOOMERANG BG 880076 - SP -
 0034072850 - 07-DEC-88 1%

ZW BOOMERANG BG 880090 - SP -
 0046203501 - 29-DEC-88 5%

- 84-0892J - SP -
 0035211739 - 31-AUG-84 6%

- J 851872 - SP -
 0046170171 - 16-AUG-85 11%

Selection value	CALVING EASE ★★★★		MILK ★★★★		CALF GRWTH. ★★★		MAINTENANCE ★★★★		GROWTH TEST					FERTILITY ★★★			COW VALUE ★★★	GROWTH VALUE	PRODUCTION VALUE									
	111 ₇₆	110 ₆₀	90 ₇₂	102 ₂₅						108 ₃₉																		
Birth wght	Birth Mat	Milk	Wean wght	Post wean	Mature wght	ADG	Kleiber	FCR	Length	Height	SC	AFC	ICP	In Vitro														
111	95	110	90	89	98	-	-	-	100	105	104	111	105	109 ₄₉			-	-										
-.25 ₇₈	.31 ₆₀	4.9 ₆₀	-.4 ₇₂	.7 ₆₄	6 ₂₅	-	-	-	24 ₉	16 ₁₂	13.3 ₁₄	11.3 ₅₅	-3.1 ₂₃	In Vitro			-	-										
Weights/Index														30(7.2%)					163 (104) 180(108) 253(106)					Flushings/Embrios/Calves: 0/0/0				
Remarks:														Loop by SW10-52 om S2016 te kalf. Verkoop met verskalf SW15-54 vaar XY12-25/SW12-21 Doen DNA					Vacc. -									

LOT 70

0442495, S.A. WELZ, POSBUS 521695, SAXONWOLD, 2132, (T)011-447 2858



Naam Ident. nommer Geslag Afdeling Reg. nommer Geboorte Datum
BLOMVLEI SW 110031 VROULIK B 0073958050 05-OCT-11

110031

DNS: -

BLOMVLEI SW 110031 - B H
 0073958050 - 05-OCT-11 4%

OEK 38.6 TKP -
 RI 83
 Oud. / Kalwers 4j. 6md. / 1
 Gem SI/Kalf: / 0
 KALWINGS
 12/14

GENERAALS DRAAI H 030011 - SP -
 0047197751 - 11-MAY-03 6%

BLOMVLEI SW 020020 - A -
 0046361598 - 29-AUG-02 0%

OEK - TKP 440
 RI 99 Gem SI/Kalf: 105 / 6
 Oud. / Kalwers 9j. 8md. / 6

ZW BOOMERANG BG 960092 - SP -
 0043293224 - 30-OCT-96 9%

- LB 950105 - SP -
 0039595996 - 08-NOV-95 10%

OEK - TKP 463
 RI 94 Gem SI/Kalf: 102 / 6
 Oud. / Kalwers 17j. 3md. / 10

 --- -%
 --- -%

BLOMVLEI SW 990007 - SP -
 0042435594 - 24-SEP-99 3%

OEK 35.2 TKP 403
 RI 105 Gem SI/Kalf: 105 / 11
 Oud. / Kalwers 14j. 10md. / 11

ZW BOOMERANG BG 900090 - SP -
 0033684234 - 24-DEC-90 3%

ZW BOOMERANG BG 910097 - SP -
 0043293182 - 24-NOV-91 4%

ZW LEBAR LB9117 - -
 0045055852 - 20-JUN-91 10%

- LB 820014 - SP -
 0046152294 - 23-SEP-82 0%

 --- -%
 --- -%

- ELK 940506 - SP -
 0041181876 - 04-AUG-94 12%

BLOMVLEI SW 960001 - B -
 0037212651 - 18-OCT-96 0%

Seleksie waarde	KALF GEMAK ★★★		MELK ★★		KALFGROEI ★★★★		ONDERHOUD ★★		GROEI TOETS					VRUGBAARHEID ★★★			KOEI WAARDE ★★★	GROEI WAARDE ★★★	PRODUKSIE WAARDE ★★★									
	94 ₇₆	89 ₆₃	120 ₇₃	83 ₃₈						109 ₄₄																		
Geb gew	Geb Mat	Melk	Speen gew	Naspeen	Volw. gewig	GDT	Kleiber	VOV	Lengte	Hoogte	SO	OEK	TKP	In Vitro														
95	98	89	120	128	117	106	98	-	115	109	103	92	112	103 ₅₄ 108 ₂₈ 107 ₄₉														
1.07 ₇₇	.23 ₆₂	-1.5 ₆₃	10.4 ₇₃	22.3 ₆₅	27 ₃₈	108 ₂₅	19 ₂₅	-	36 ₂₉	18 ₃₁	12.9 ₃₁	5.7 ₅₉	-4.9 ₂₈	In Vitro														
Gewig/Indeks														30(5.2%)					188 (107) 197(113) 284(115)					Spoelings/Embrios/Kalwers: 0/0/0				
Opmerkings:														Dragtig by HBH12-43 om W2016 te kalf					Inent. -									

LOT 70B

0442495, S.A. WELZ, POSBUS 521695, SAXONWOLD, 2132, (T)011-447 2858



Name Ident. number Sex Section Reg. number Birth Date
BLOMVLEI SW 110080 FEMALE SP 0074522673 17-NOV-11

11 0080

DNA: -

BLOMVLEI SW 110080 - SP P
 0074522673 - 17-NOV-11 8%

AFC 43.8 ICP -
 RI 67
 Age / Calves 4j. 4md. / 1
 Avg. Wt/Calv: / 0
 CALVINGS
 07/15

GENERAALSDRAAI H 030011 - SP -
 0047197751 - 11-MAY-03 6%

BLOMVLEI SW 050101 - SP H
 0062091400 - 14-NOV-05 9%

AFC 34.5 ICP 381
 RI 105 Avg. Wt/Calv: 95 / 2
 Age / Calves 6j. 11md. / 4

ZW BOOMERANG BG 960092 - SP -
 0043293224 - 30-OCT-96 9%

- LB 950105 - SP -
 0039595996 - 08-NOV-95 10%

AFC - ICP 463
 RI 94 Avg. Wt/Calv: 102 / 6
 Age / Calves 17j. 3md. / 10

NONNIE CR 010015 - SP P
 0044826162 - 25-JUL-01 12%

BLOMVLEI SW 990011 - SP -
 0042435610 - 27-SEP-99 10%

AFC 35.5 ICP 387
 RI 103 Avg. Wt/Calv: 99 / 3
 Age / Calves 7j. 8md. / 5

ZW BOOMERANG BG 900090 - SP -
 0033684234 - 24-DEC-90 3%

ZW BOOMERANG BG 910097 - SP -
 0043293182 - 24-NOV-91 4%

ZW LEBAR LB9117 - - -
 0045055852 - 20-JUN-91 10%

- LB 820014 - SP -
 0046152294 - 23-SEP-82 0%

NONNIE CR 960004 - SP -
 0036882744 - 29-JUL-96 7%

NONNIE CR 960001 - SP -
 0035540202 - 20-MAR-96 6%

- ELK 940506 - SP -
 0041181876 - 04-AUG-94 12%

BLOMVLEI SW 960012 - SP -
 0037212768 - 05-NOV-96 5%

Selection value	CALVING EASE		MILK	CALF GRWTH.	MAINTENANCE	GROWTH TEST						FERTILITY			COW VALUE	GROWTH VALUE	PRODUCTION VALUE
	★★★	★★★	★	★★	★★★★							★★★	★★★	★★★			
	108 ₇₅		79 ₅₆	88 ₆₁	118 ₂₉							115 ₄₀					
Birth wght	Birth Mat	Milk	Wean wght	Post wean	Mature wght	ADG	Kleiber	FCR	Length	Height	SC	AFC	ICP	★★	★★★	★★★	
Breeding value index	107	101	79	88	89	82	87	85	-	93	92	96	111	113	88 ₄₇	97 ₂₆	92 ₄₃
Breeding value	.07 ₇₆	.13 ₆₂	-4.5 ₅₆	-.8 ₆₁	-.3 ₅₃	-11 ₂₉	52 ₂₂	3 ₂₂	-	18 ₂₇	8 ₃₀	9.9 ₃₀	-11.4 ₅₁	-5.1 ₂₉	In Vitro		
Weights/Index	32			- (-)	- (-)	- (-)									Flushings/Embrios/Calves: 0/0/0		
	Remarks: Loop by bul SW13-05 om S2016 te kalf.														Vacc. -		

LOT 71

0442495, S.A. WELZ, POSBUS 521695, SAXONWOLD, 2132, (T)011-447 2858



Naam Ident. nommer Geslag Afdeling Reg. nommer Geboorte Datum
BLOMVLEI SW 110036 VROULIK SP 0073839946 12-OCT-11

110036

DNS: P1054/12

BLOMVLEI SW 110036 - SP P
 0073839946 - 12-OCT-11 5%

OEK 36.3 TKP -
 RI 90
 Oud. / Kalwers 4j. 6md. / 1
 Gem SI/Kalf: 99 / 1
 KALWINGS
 10/14

MABULA BEU 070083 - SP P
 0065278194 - 16-OCT-07 11%

BLOMVLEI SW 990043 - SP -
 0042742403 - 29-NOV-99 4%

OEK 33.2 TKP 444
 RI 98 Gem SI/Kalf: 110 / 11
 Oud. / Kalwers 16j. 4md. / 11

SIGIDI HKL 960013 - SP -
 0038231049 - 15-OCT-96 15%

SIGIDI SIG 990017 - SP -
 0043005818 - 29-MAY-99 4%

OEK 28.7 TKP 372
 RI 114 Gem SI/Kalf: 96 / 5
 Oud. / Kalwers 11j. 12md. / 10

ZW BOOMERANG BG 920001 - SP -
 0034054650 - 11-NOV-92 7%

- DK 951462 - SP -
 0039643671 - 29-APR-95 5%

OEK - TKP 379
 RI 103 Gem SI/Kalf: 110 / 10
 Oud. / Kalwers 15j. 9md. / 10

SIGIDI HKL 860330 - SP -
 0011941820 - 27-OCT-86 21%

SIGIDI HKL 840057 - SP -
 0010844611 - 10-AUG-84 11%

SIGIDI HKL 870450 - SP -
 0017683400 - 25-SEP-87 30%

SIGIDI HKL 880517 - SP -
 0019576891 - 20-AUG-88 0%

ZW BOOMERANG BG 880076 - SP -
 0034072850 - 07-DEC-88 1%

ZW BOOMERANG BG 810332 - B -
 0034072868 - 29-DEC-81 0%

ZW BOOMERANG BG 790286 - A -
 0045059433 - 30-NOV-79 4%

- DK 921266 - SP -
 0046239109 - 16-SEP-92 14%

Seleksie waarde	KALF GEMAK		MELK	KALFGROEI	ONDERHOUD	GROEI TOETS						VRUGBAARHEID			KOEI WAARDE	GROEI WAARDE	PRODUKSIE WAARDE
	★★	★★	★★★	★★★	★★★							★★★	★★★	★★★			
	83 ₇₅		95 ₆₀	109 ₇₂	93 ₃₃							90 ₃₉					
Geb gew	Geb Mat	Melk	Speen gew	Naspeen	Volw. gewig	GDT	Kleiber	VOV	Lengte	Hoogte	SO	OEK	TKP	★★	★★★	★★★	
Teeltwaarde index	87	74	95	109	106	107	101	100	-	101	109	105	111	86	87 ₅₀	98 ₃₂	93 ₄₆
Teeltwaarde	1.64 ₇₇	1.03 ₅₉	.5 ₆₀	6.4 ₇₂	10.3 ₆₄	16 ₃₃	95 ₂₈	21 ₂₈	-	24 ₃₃	18 ₃₅	14.1 ₃₅	-10.9 ₅₈	1.6 ₂₂	In Vitro		
Gewig/Index	38(6.9%)			208 (115)	207(114)	278(108)									Spoelings/Embrios/Kalwers: 0/0/0		
	Opmerkings: Dragtig by SW10-52 om W2016 te kalf														Inent. -		

LOT 72

0442495, S.A. WELZ, POSBUS 521695, SAXONWOLD, 2132, (T)011-447 2858



Name **BLOMVLEI** Ident. number **SW 110043** Sex **FEMALE** Section **SP** Reg. number **0074522517** Birth Date **17-OCT-11**

11 0043

DNA: -

BLOMVLEI SW 110043 - SP SC
0074522517 - 17-OCT-11 5%

AFC 36 ICP -
RI 91
Age / Calves 4j. 5md. / 1
Avg. Wt/Calv: 114 / 1
CALVINGS
10/14

BLOMVLEI SW 060039 - SP P
0063613590 - 02-SEP-06 4%

BLOMVLEI SW 080049 - SP P
0067146233 - 16-SEP-08 10%

AFC 37 ICP 439
RI 94 Avg. Wt/Calv: 98 / 4
Age / Calves 7j. 7md. / 4

MOTSWIRI AJB 020021 - B -
0046814281 - 24-SEP-02 5%

- HT 990005 - SP -
0044845857 - 16-MAY-99 2%

AFC - ICP 433
RI 93 Avg. Wt/Calv: 100 / 7
Age / Calves 12j. 12md. / 7

PULU PT 010037 - SP -
0045340189 - 22-OCT-01 10%

BLOMVLEI SW 030012 - SP -
0047197736 - 30-APR-03 8%

AFC 29.7 ICP 387
RI 111 Avg. Wt/Calv: 87 / 6
Age / Calves 9j. 5md. / 6

ZW BOOMERANG BG 950027 - SP -
0043247139 - 04-NOV-95 3%

MOTSWIRI AJB 960101 - A -
0042274480 - 10-OCT-96 0%

ZW BOOMERANG BG 950103 - SP -
0044845451 - 25-NOV-95 4%

- HT 950030 - SP -
0044845428 - 21-NOV-95 0%

JAMBO J 942990 - SP -
0035453182 - 06-JUL-94 12%

SIGIDI HKL 950008 - SP -
0038230868 - 15-OCT-95 13%

- ELK 940506 - SP -
0041181876 - 04-AUG-94 12%

BLOMVLEI SW 960004 - SP -
0037212685 - 25-OCT-96 3%

Selection value	CALVING EASE ☆☆☆		MILK ☆☆☆☆		CALF GRWTH. ☆☆☆		MAINTENANCE ☆☆☆			GROWTH TEST					FERTILITY ☆☆☆			COW VALUE ☆☆☆☆	GROWTH VALUE ☆☆☆	PRODUCTION VALUE ☆☆☆
	94 ₇₅	113 ₆₃	105 ₇₄	107 ₃₃									99 ₃₈							
Birth wght	Birth Mat	Milk	Wean wght	Post wean	Mature wght	ADG	Kleiber	FCR	Length	Height	SC	AFC	ICP	In Vitro						
94	103	113	105	111	93	101	106	-	98	94	107	113	95	113 ₅₁	97 ₂₄	105 ₄₆				
1.11 ₇₇	.07 ₆₁	5.9 ₆₃	5.2 ₇₄	12.9 ₆₆	1 ₃₃	94 ₂₁	28 ₂₁	-	22 ₁₈	9 ₂₀	14.7 ₂₈	13.2 ₅₇	-5 ₁₉	Flushings/Embrios/Calves: 0/0/0						
30(9%)			192 (109)	207(119)	283(114)									Tests: -						
Remarks: Besondere Teelwaardes. Dragtig by HBH12-43 om W2016 te kalf														Vacc. -						

LOT 73

0442495, S.A. WELZ, POSBUS 521695, SAXONWOLD, 2132, (T)011-447 2858



Naam **BLOMVLEI** Ident. nommer **SW 110044** Geslag **VROULIK** Afdeling **SP** Reg. nommer **0074522525** Geboorte Datum **17-OCT-11**

11 0044

DNS: -

BLOMVLEI SW 110044 - SP P
0074522525 - 17-OCT-11 5%

OEK 36.1 TKP -
RI 90
Oud. / Kalwers 4j. 5md. / 1
Gem SI/Kalf: 100 / 1
KALWINGS
10/14

BLOMVLEI SW 060039 - SP P
0063613590 - 02-SEP-06 4%

BLOMVLEI SW 070093 - SP P
0065466971 - 15-NOV-07 8%

OEK 34.8 TKP 373
RI 108 Gem SI/Kalf: 98 / 4
Oud. / Kalwers 8j. 5md. / 6

MOTSWIRI AJB 020021 - B -
0046814281 - 24-SEP-02 5%

- HT 990005 - SP -
0044845857 - 16-MAY-99 2%

OEK - TKP 433
RI 93 Gem SI/Kalf: 100 / 7
Oud. / Kalwers 12j. 12md. / 7

MEGA M 040002 - SP P
0048821524 - 14-MAR-04 5%

BLOMVLEI SW 990043 - SP -
0042742403 - 29-NOV-99 4%

OEK 33.2 TKP 444
RI 98 Gem SI/Kalf: 110 / 11
Oud. / Kalwers 16j. 4md. / 11

ZW BOOMERANG BG 950027 - SP -
0043247139 - 04-NOV-95 3%

MOTSWIRI AJB 960101 - A -
0042274480 - 10-OCT-96 0%

ZW BOOMERANG BG 950103 - SP -
0044845451 - 25-NOV-95 4%

- HT 950030 - SP -
0044845428 - 21-NOV-95 0%

ZW BOOMERANG BG 940025 - SP -
0036749745 - 04-OCT-94 3%

ZW BOOMERANG BG 980087 - SP -
0044845733 - 22-OCT-98 6%

ZW BOOMERANG BG 920001 - SP -
0034054650 - 11-NOV-92 7%

- DK 951462 - SP -
0039643671 - 29-APR-95 5%

Seleksie waarde	KALF GEMAK ☆☆☆☆		MELK ☆☆☆		KALFGROEI ☆☆☆		ONDERHOUD ☆☆☆			GROEI TOETS					VRUGBAARHEID ☆☆☆			KOEI WAARDE ☆☆☆	GROEI WAARDE ☆☆☆☆	PRODUKSIE WAARDE ☆☆☆
	111 ₇₅	100 ₆₃	96 ₇₄	103 ₃₃									91 ₃₇							
Geb gew	Geb Mat	Melk	Speen gew	Naspeen	Volw. gewig	GDT	Kleiber	VOV	Lengte	Hoogte	SO	OEK	TKP	☆☆☆						
110	106	100	96	99	97	114	123	-	107	108	111	104	90	105 ₅₁	110 ₂₄	109 ₄₆				
-16 ₇₇	-05 ₆₁	1.9 ₆₃	2 ₇₄	5.9 ₆₆	6 ₃₃	134 ₂₀	50 ₂₀	-	29 ₂₂	17 ₂₄	16.6 ₂₇	-4.7 ₅₆	.8 ₁₈	In Vitro						
29(6.7%)			172 (97)	176 (99)	246 (98)									Spoelings/Embrios/Kalwers: 0/0/0						
Opmerkings: Dragtig by XY12-25 / SW12-21 om W2016 te kalf. Doen DNA														Inent. -						

LOT 74

0442495, S.A. WELZ, POSBUS 521695, SAXONWOLD, 2132, (T)011-447 2858



Name Ident. number Sex Section Reg. number Birth Date
BLOMVLEI SW 110050 FEMALE SP 0074522574 22-OCT-11

11 0050

DNA: -

BLOMVLEI SW 110050 - SP P
 0074522574 - 22-OCT-11 7%

AFC 37.1 ICP -
 RI 88
 Age / Calves 4j. 5md. / 1
 Avg. Wt/Calv: / 0
 CALVINGS
 11/14

GENERAALSDRAAI H 030011 - SP -
 0047197751 - 11-MAY-03 6%

BLOMVLEI SW 080019 - SP P
 0066357526 - 04-MAY-08 5%

AFC 41.6 ICP 377
 RI 96 Avg. Wt/Calv: 95 / 3
 Age / Calves 7j. 11md. / 4

ZW BOOMERANG BG 960092 - SP -
 0043293224 - 30-OCT-96 9%

- LB 950105 - SP -
 0039595996 - 08-NOV-95 10%

AFC - ICP 463
 RI 94 Avg. Wt/Calv: 102 / 6
 Age / Calves 17j. 3md. / 10

PISIRI PS 020118 - SP -
 0047280979 - 24-SEP-02 11%

- HT 990046 - SP -
 0044846004 - 27-NOV-99 4%

AFC - ICP 413
 RI 103 Avg. Wt/Calv: 89 / 6
 Age / Calves 9j. 4md. / 6

ZW BOOMERANG BG 900090 - SP -
 0033684234 - 24-DEC-90 3%

ZW BOOMERANG BG 910097 - SP -
 0043293182 - 24-NOV-91 4%

ZW LEBAR LB9117 - - -
 0045055852 - 20-JUN-91 10%

- LB 820014 - SP -
 0046152294 - 23-SEP-82 0%

SIGIDI HKL 972004 - SP -
 0040707440 - 25-NOV-97 7%

LARYN JM 940042 - SP -
 0032701526 - 28-OCT-94 9%

ZW BOOMERANG BG 950103 - SP -
 0044845451 - 25-NOV-95 4%

- HT 950035 - SP -
 0044845436 - 21-DEC-95 2%

Selection value	CALVING EASE ★★★		MILK ★	CALF GRWTH. ★★★	MAINTENANCE ★★★★	GROWTH TEST						FERTILITY ★★★			COW VALUE ★★	GROWTH VALUE ★★★	PRODUCTION VALUE ★★
	106 ₇₆	65 ₆₃	95 ₇₃	119 ₃₆	ADG	Kleiber	FCR	Length	Height	SC	AFC	ICP	107 ₄₅				
Birth wght	105	105	65	95	94	81	83	86	-	90	94	90	104	107	81 ₅₄	95 ₂₈	88 ₄₉
Birth Mat	0	0	-8.7 ₆₃	1.7 ₇₃	3.5 ₆₄	-12 ₃₆	41 ₂₅	3 ₂₅	-	15 ₃₀	9 ₃₂	7.3 ₃₂	-5 ₆₁	-3.5 ₂₉	In Vitro		
Weight/Index	29(7.6%)			163 (91)	166 (92)	236 (93)									Flushings/Embrios/Calves: 0/0/0		
Remarks: Dragtig by SW10-52 om W2016 te kalf															Vacc. -		

LOT 75

0442495, S.A. WELZ, POSBUS 521695, SAXONWOLD, 2132, (T)011-447 2858



Naam Ident. nommer Geslag Afdeling Reg. nommer Geboorte Datum
BLOMVLEI SW 110053 VROULIK SP 0074522319 24-OCT-11

11 0053

DNS: -

BLOMVLEI SW 110053 - SP P
 0074522319 - 24-OCT-11 4%

OEK 36.8 TKP -
 RI 88
 Oud. / Kalwers 4j. 5md. / 1
 Gem SI/Kalf: 102 / 1
 KALWINGS
 11/14

BLOMVLEI SW 060039 - SP P
 0063613590 - 02-SEP-06 4%

BLOMVLEI SW 070069 - SP H
 0065467037 - 17-OCT-07 3%

OEK 35 TKP 403
 RI 98 Gem SI/Kalf: 82 / 2
 Oud. / Kalwers 4j. 6md. / 2

MOTSWIRI AJB 020021 - B -
 0046814281 - 24-SEP-02 5%

- HT 990005 - SP -
 0044845857 - 16-MAY-99 2%

OEK - TKP 433
 RI 93 Gem SI/Kalf: 100 / 7
 Oud. / Kalwers 12j. 12md. / 7

BLOMVLEI SW 030030 - B -
 0047516182 - 08-SEP-03 0%

BLOMVLEI SW 980044 - SP -
 0041007907 - 31-OCT-98 5%

OEK 34.9 TKP 409
 RI 104 Gem SI/Kalf: 107 / 10
 Oud. / Kalwers 13j. 11md. / 10

ZW BOOMERANG BG 950027 - SP -
 0043247139 - 04-NOV-95 3%

MOTSWIRI AJB 960101 - A -
 0042274480 - 10-OCT-96 0%

ZW BOOMERANG BG 950103 - SP -
 0044845451 - 25-NOV-95 4%

- HT 950030 - SP -
 0044845428 - 21-NOV-95 0%

ZW BOOMERANG BG 970110 - SP -
 0044845550 - 03-DEC-97 8%

BLOMVLEI SW 940015 - A -
 0033721127 - 01-AUG-94 0%

- LB 950090 - SP -
 0038911681 - 01-NOV-95 6%

BLOMVLEI SW 940006 - SP -
 0032407827 - 22-SEP-94 6%

Seleksie waarde	KALF GEMAK ★★★		MELK ★★★	KALFGROEI ★★	ONDERHOUD ★★★			GROEI TOETS					VRUGBAARHEID ★★★			KOEI WAARDE ★★	GROEI WAARDE ★★★	PRODUKSIE WAARDE ★★★
	107 ₇₅	96 ₆₃	89 ₇₄	105 ₂₉	GDT	Kleiber	VOV	Lengte	Hoogte	SO	OEK	TKP	94 ₃₆					
Geb gew	106	105	96	89	88	95	96	105	-	91	87	94	104	92	92 ₄₉	99 ₂₀	96 ₄₃	
Geb Mat	0	0	-8.7 ₆₃	1.7 ₇₄	-2.2 ₆₆	3 ₂₉	79 ₁₆	28 ₁₈	-	16 ₁₈	5 ₂₁	9 ₂₄	-4.7 ₅₆	1.1 ₁₇	In Vitro			
Teeltwaarde	.19 ₇₇	-.02 ₆₀													Spoelings/Embrios/Kalwers: 0/0/0			
Teeltwaarde															Toetse: -			
Gewig/Index	31(7.2%)			160 (87)	147 (78)	222 (86)									Inent. -			
Opmerkings: Dragtig by HBH12-43 om W2016 te kalf																		

LOT 76

0442495, S.A. WELZ, POSBUS 521695, SAXONWOLD, 2132, (T)011-447 2858



Name Ident. number Sex Section Reg. number Birth Date
BLOMVLEI SW 110056 FEMALE SP 0074522343 27-OCT-11

11 0056

DNA: UP1060/12

BLOMVLEI SW 110056 - SP P
 0074522343 - 27-OCT-11 4%

AFC 37.2 ICP -
 RI 87
 Age / Calves 4j. 5md. / 1
 Avg. Wt/Calv: 121 / 1
 CALVINGS
 12/14

BLOMVLEI SW 070044 - SP SC
 0065591075 - 02-SEP-07 7%

BLOMVLEI SW 080018 - SP H
 0066357518 - 02-MAY-08 7%

AFC 41.8 ICP -
 RI 73 Avg. Wt/Calv: 95 / 1
 Age / Calves 4j. 5md. / 1

MEGA M 040002 - SP P
 0048821524 - 14-MAR-04 5%

ZW BOOMERANG BG 900039 - SP -
 0028628998 - 11-OCT-90 1%

AFC 36.4 ICP 374
 RI 110 Avg. Wt/Calv: 102 / 15
 Age / Calves 19j. 6md. / 15

PISIRI PS 020118 - SP -
 0047280979 - 24-SEP-02 11%

BLOMVLEI SW 000049 - SP -
 0043836022 - 13-NOV-00 5%

AFC 40.5 ICP 396
 RI 102 Avg. Wt/Calv: 108 / 8
 Age / Calves 13j. 8md. / 10

ZW BOOMERANG BG 940025 - SP -
 0036749745 - 04-OCT-94 3%

ZW BOOMERANG BG 980087 - SP -
 0044845733 - 22-OCT-98 6%

ZW BOOMERANG BG 810027 - SP -
 0043568757 - 17-SEP-81 0%

ZW BOOMERANG BG 840132 - SP -
 0046166294 - 06-OCT-84 14%

SIGIDI HKL 972004 - SP -
 0040707440 - 25-NOV-97 7%

LARYN JM 940042 - SP -
 0032701526 - 28-OCT-94 9%

- ELK 940506 - SP -
 0041181876 - 04-AUG-94 12%

- LB 950013 - SP -
 0039643549 - 25-SEP-95 2%

Selection value	CALVING EASE ★★		MILK ★★★		CALF GRWTH. ★★★★		MAINTENANCE ★★		GROWTH TEST					FERTILITY ★★★			COW VALUE ★★★	GROWTH VALUE	PRODUCTION VALUE
	84 ₇₄	97 ₆₀	115 ₇₃	83 ₂₈	ADG	Kleiber	FCR	Length	Height	SC	AFC	ICP	100 ₃₆						
Birth wght	Birth Mat	Milk	Wean wght	Post wean	Mature wght	105	106	-	106	111	117	96	102	95 ₄₉	-	-	-		
2.1 ₇₆	-.52 ₅₇	1.1 ₆₀	8.8 ₇₃	13.1 ₆₄	27 ₂₈	105 ₁₄	28 ₁₄	-	29 ₁₉	19 ₂₁	19.5 ₂₁	2.1 ₅₅	-2.2 ₁₇	In Vitro	Flushings/Embrios/Calves: 0/0/0				
32(7.4%)			173 (95)	183(102)	261(103)									Tests: -	Vacc. -				
Remarks: Dragtig by HBH12-43 om W2016 te kalf																			

LOT 77

0442495, S.A. WELZ, POSBUS 521695, SAXONWOLD, 2132, (T)011-447 2858



Naam Ident. nommer Geslag Afdeling Reg. nommer Geboorte Datum
BLOMVLEI SW 110057 VROULIK SP 0074522350 29-OCT-11

11 0057

DNS: -

BLOMVLEI SW 110057 - SP H
 0074522350 - 29-OCT-11 3%

OEK 35.8 TKP -
 RI 91
 Oud. / Kalwers 4j. 5md. / 1
 Gem SI/Kalf: 103 / 1
 KALWINGS
 10/14

BLOMVLEI SW 060039 - SP P
 0063613590 - 02-SEP-06 4%

BLOMVLEI SW 060044 - B H
 0063613467 - 24-SEP-06 2%

OEK 35.6 TKP 388
 RI 101 Gem SI/Kalf: 99 / 3
 Oud. / Kalwers 5j. 11md. / 3

MOTSWIRI AJB 020021 - B -
 0046814281 - 24-SEP-02 5%

- HT 990005 - SP -
 0044845857 - 16-MAY-99 2%

OEK - TKP 433
 RI 93 Gem SI/Kalf: 100 / 7
 Oud. / Kalwers 12j. 12md. / 7

NONNIE CR 010015 - SP P
 0044826162 - 25-JUL-01 12%

BUROWILL ASE 990056 - A -
 0042514505 - 24-OCT-99 0%

OEK 27.6 TKP 395
 RI 111 Gem SI/Kalf: 105 / 9
 Oud. / Kalwers 12j. 11md. / 10

ZW BOOMERANG BG 950027 - SP -
 0043247139 - 04-NOV-95 3%

MOTSWIRI AJB 960101 - A -
 0042274480 - 10-OCT-96 0%

ZW BOOMERANG BG 950103 - SP -
 0044845451 - 25-NOV-95 4%

- HT 950030 - SP -
 0044845428 - 21-NOV-95 0%

NONNIE CR 960004 - SP -
 0036882744 - 29-JUL-96 7%

NONNIE CR 960001 - SP -
 0035540202 - 20-MAR-96 6%

- J 960107 - SP -
 0041181660 - 13-AUG-96 2%

BUROWILL ASE 960014 - BS -
 0042274266 - 01-OCT-96 0%

Seleksie waarde	KALF GEMAK ★★★		MELK ★★★★		KALFGROEI ★★★		ONDERHOUD ★★★★		GROEI TOETS					VRUGBAARHEID ★★★			KOEI WAARDE ★★★	GROEI WAARDE ★★★	PRODUKSIE WAARDE ★★★
	101 ₇₅	111 ₆₃	93 ₇₄	114 ₃₂	GDT	Kleiber	VOV	Lengte	Hoogte	SO	OEK	TKP	106 ₃₈						
Geb gew	Geb Mat	Melk	Speen gew	Naspeen	Volw. gewig	107	112	-	103	100	105	112	103	109 ₅₁	105 ₂₂	107 ₄₅			
.63 ₇₇	.03 ₆₁	5.2 ₆₃	.9 ₇₄	4.2 ₆₈	-6 ₃₂	112 ₁₉	36 ₁₉	-	26 ₂₀	13 ₂₂	14 ₂₅	-12.2 ₅₈	-2.7 ₂₀	In Vitro	Spoelings/Embrios/Kalwers: 0/0/0				
30(6.9%)			182 (103)	172 (96)	246 (98)									Tests: -	Inent. -				
Opmerkings: Dragtig by HBH12-43 om W2016 te kalf																			

LOT 78

0442495, S.A. WELZ, POSBUS 521695, SAXONWOLD, 2132, (T)011-447 2858



Name Ident. number Sex Section Reg. number Birth Date
BLOMVLEI SW 110058 FEMALE B 0074522368 29-OCT-11

11 0058

DNA: -

BLOMVLEI SW 110058 - B H
 0074522368 - 29-OCT-11 4%
 AFC 37 ICP -
 RI 88
 Age / Calves 4j. 5md. / 1
 Avg. Wt/Calv: 104 / 1
 CALVINGS
 11/14

GENERAALSDRAAI H 030011 - SP -
 0047197751 - 11-MAY-03 6%
BLOMVLEI SW 060055 - A -
 0067874917 - 12-OCT-06 0%
 AFC - ICP 364
 RI 116 Avg. Wt/Calv: 101 / 5
 Age / Calves 9j. 6md. / 5

ZW BOOMERANG BG 960092 - SP -
 0043293224 - 30-OCT-96 9%
- LB 950105 - SP -
 0039595996 - 08-NOV-95 10%
 AFC - ICP 463
 RI 94 Avg. Wt/Calv: 102 / 6
 Age / Calves 17j. 3md. / 10
NONNIE CR 010015 - SP P
 0044826162 - 25-JUL-01 12%
 --- -
 --- -
 --- -%

ZW BOOMERANG BG 900090 - SP -
 0033684234 - 24-DEC-90 3%
ZW BOOMERANG BG 910097 - SP -
 0043293182 - 24-NOV-91 4%
ZW LEBAR LB9117 - - -
 0045055852 - 20-JUN-91 10%
- LB 820014 - SP -
 0046152294 - 23-SEP-82 0%
NONNIE CR 960004 - SP -
 0036882744 - 29-JUL-96 7%
NONNIE CR 960001 - SP -
 0035540202 - 20-MAR-96 6%
 --- -
 --- -
 --- -%

Avg. Wt/Calv: -

Selection value	CALVING EASE		MILK		CALF GRWTH.		MAINTENANCE		GROWTH TEST					FERTILITY			COW VALUE	GROWTH VALUE	PRODUCTION VALUE
	★★★	★★★	★★	★★	★★★	★★★	★★★	★★★	ADG	Kleiber	FCR	Length	Height	SC	AFC	ICP			
	98 ₇₆	88 ₆₄	107 ₇₄	111 ₄₂													101 ₅₅	109 ₂₈	106 ₅₀
Birth wght	Birth Mat	Milk	Wean wght	Post wean	Mature wght														
97	102	88	107	105	89	103	99	-	108	108	100	118	102						
.85 ₇₇	.09 ₆₂	-1.8 ₆₄	6 ₇₄	9.7 ₆₅	-3.4 ₂	101 ₂₆	20 ₂₆	-	30 ₃₀	17 ₃₁	11.7 ₃₁	17.5 ₅₉	-2.4 ₂₈						
Weights/Index			189 (107)	188(106)	268(107)														
Remarks: Dragtig by XY12-25 / SW12-21 om W2016 te kalf. Doen DNA																	In Vitro Flushings/Embrios/Calves: 0/0/0 Tests: - Vacc. -		

LOT 79

0442495, S.A. WELZ, POSBUS 521695, SAXONWOLD, 2132, (T)011-447 2858



Naam Ident. nommer Geslag Afdeling Reg. nommer Geboorte Datum
BLOMVLEI SW 110062 VROULIK B 0074522400 31-OCT-11

11 0062

DNS: UP1061/12

BLOMVLEI SW 110062 - B P
 0074522400 - 31-OCT-11 2%
 OEK 36.2 TKP -
 RI 90
 Oud. / Kalwers 4j. 5md. / 1
 Gem SI/Kalf: 100 / 1
 KALWINGS
 11/14

BLOMVLEI SW 070044 - SP SC
 0065591075 - 02-SEP-07 7%
BLOMVLEI SW 090001 - A -
 0068355965 - 07-MAR-09 0%
 OEK - TKP -
 RI - Gem SI/Kalf: / 0
 Oud. / Kalwers 3j. 3md. / 1

MEGA M 040002 - SP P
 0048821524 - 14-MAR-04 5%
ZW BOOMERANG BG 900039 - SP -
 0028628998 - 11-OCT-90 1%
 OEK 36.4 TKP 374
 RI 110 Gem SI/Kalf: 102 / 15
 Oud. / Kalwers 19j. 6md. / 15
 --- -
 --- -
 --- -%

ZW BOOMERANG BG 940025 - SP -
 0036749745 - 04-OCT-94 3%
ZW BOOMERANG BG 980087 - SP -
 0044845733 - 22-OCT-98 6%
ZW BOOMERANG BG 810027 - SP -
 0043568757 - 17-SEP-81 0%
ZW BOOMERANG BG 840132 - SP -
 0046166294 - 06-OCT-84 14%
 --- -
 --- -
 --- -
BLOMVLEI SW 010040 - SP -
 0045340163 - 22-OCT-01 6%
- LZ 970062 - SP -
 0042955435 - 21-OCT-97 1%

Seleksie waarde	KALF GEMAK		MELK		KALFGROEI		ONDERHOUD		GROEI TOETS					VRUGBAARHEID			KOEI WAARDE	GROEI WAARDE	PRODUKSIE WAARDE
	★★	★★	★★★	★★★	★★★	★★★	GDT	Kleiber	VOV	Lengte	Hoogte	SO	OEK	TKP					
	89 ₇₃	99 ₄₈	105 ₅₈	98 ₂₉											110 ₃₃				
Geb gew	Geb Mat	Melk	Speen gew	Naspeen	Volw. gewig														
87	115	99	105	107	102	101	105	-	99	101	96	107	109						
1.64 ₇₅	-.34 ₅₆	1.7 ₄₈	5.2 ₅₈	10.8 ₄₇	11.2 ₉	93 ₁₁	27 ₁₁	-	23 ₁₄	13 ₁₅	9.6 ₁₆	-7.6 ₅₁	-4.1 ₁₅						
Gewig/Index			- (-)	- (-)	- (-)														
Opmerkings: Dragtig by XY12-25 / SW12-21 om W2016 te kalf. Doen DNA																	In Vitro Spoelings/Embrios/Kalwers: 0/0/0 Toetse: - Inent. -		

LOT 80

0442495, S.A. WELZ, POSBUS 521695, SAXONWOLD, 2132, (T)011-447 2858



Name Ident. number Sex Section Reg. number Birth Date
BLOMVLEI SW 110067 FEMALE B 0074522459 05-NOV-11

11 0067

DNA: P1489/12 (DNA)

BLOMVLEI SW 110067 - B P
 0074522459 - 05-NOV-11 15%
 AFC 35.5 ICP 399
 RI 97
 Age / Calves 4j. 5md. / 2
 Avg. WI/Calf: 106 / 1
 CALVINGS
 10/14 ,11/15

BLOMVLEI SW 070044 - SP SC
 0065591075 - 02-SEP-07 7%

BLOMVLEI SW 080014 - A -
 0072057813 - 28-APR-08 0%
 AFC - ICP 363
 RI 117 Avg. WI/Calf: 101 / 3
 Age / Calves 7j. 11md. / 3

MEGA M 040002 - SP P
 0048821524 - 14-MAR-04 5%
ZW BOOMERANG BG 900039 - SP -
 0028628998 - 11-OCT-90 1%
 AFC 36.4 ICP 374
 RI 110 Avg. WI/Calf: 102 / 15
 Age / Calves 19j. 6md. / 15

MEGA M 040002 - SP P
 0048821524 - 14-MAR-04 5%
 --- -
 --- -
 --- -

ZW BOOMERANG BG 940025 - SP -
 0036749745 - 04-OCT-94 3%
ZW BOOMERANG BG 980087 - SP -
 0044845733 - 22-OCT-98 6%
ZW BOOMERANG BG 810027 - SP -
 0043568757 - 17-SEP-81 0%
ZW BOOMERANG BG 840132 - SP -
 0046166294 - 06-OCT-84 14%
ZW BOOMERANG BG 940025 - SP -
 0036749745 - 04-OCT-94 3%
ZW BOOMERANG BG 980087 - SP -
 0044845733 - 22-OCT-98 6%
 --- -
 --- -
 --- -

Avg. WI/Calf: -

Selection value	CALVING EASE ★★★		MILK ★★★		CALF GRWTH. ★★★		MAINTENANCE ★★★		GROWTH TEST					FERTILITY ★★★			COW VALUE ★★★	GROWTH VALUE	PRODUCTION VALUE
	103 ₇₃	107 ₅₇	106 ₇₁	107 ₂₀	ADG	Kleiber	FCR	Length	Height	SC	AFC	ICP	99 ₃₀						
Birth wght	119	107	106	101	93	-	-	-	-	-	-	-	-	-	-	-	-	-	
Birth Mat	119	107	106	101	93	-	-	-	-	-	-	-	-	-	-	-	-	-	
Milk	107	107	106	101	93	-	-	-	-	-	-	-	-	-	-	-	-	-	
Wean wght	119	107	106	101	93	-	-	-	-	-	-	-	-	-	-	-	-	-	
Post wean	119	107	106	101	93	-	-	-	-	-	-	-	-	-	-	-	-	-	
Mature wght	119	107	106	101	93	-	-	-	-	-	-	-	-	-	-	-	-	-	
ADG	119	107	106	101	93	-	-	-	-	-	-	-	-	-	-	-	-	-	
Kleiber	119	107	106	101	93	-	-	-	-	-	-	-	-	-	-	-	-	-	
FCR	119	107	106	101	93	-	-	-	-	-	-	-	-	-	-	-	-	-	
Length	119	107	106	101	93	-	-	-	-	-	-	-	-	-	-	-	-	-	
Height	119	107	106	101	93	-	-	-	-	-	-	-	-	-	-	-	-	-	
SC	119	107	106	101	93	-	-	-	-	-	-	-	-	-	-	-	-	-	
AFC	119	107	106	101	93	-	-	-	-	-	-	-	-	-	-	-	-	-	
ICP	119	107	106	101	93	-	-	-	-	-	-	-	-	-	-	-	-	-	
In Vitro	119	107	106	101	93	-	-	-	-	-	-	-	-	-	-	-	-	-	
Flushings/Embrios/Calves:	119	107	106	101	93	-	-	-	-	-	-	-	-	-	-	-	-	-	
Tests: -	119	107	106	101	93	-	-	-	-	-	-	-	-	-	-	-	-	-	
Remarks:	119	107	106	101	93	-	-	-	-	-	-	-	-	-	-	-	-	-	
Loop by XY12-25/ SW10-18 om S2016 te kalf. Doen DNA. Verloop met verskalf SW15-60 vaar XY12-25 /SW12-21. Doen DNA	119	107	106	101	93	-	-	-	-	-	-	-	-	-	-	-	-	-	
Vacc. -	119	107	106	101	93	-	-	-	-	-	-	-	-	-	-	-	-	-	

LOT 81

0442495, S.A. WELZ, POSBUS 521695, SAXONWOLD, 2132, (T)011-447 2858



Naam Ident. nommer Geslag Afdeling Reg. nommer Geboorte Datum
BLOMVLEI SW 110068 VROULIK B 0074522467 06-NOV-11

11 0068

DNS: UP1065/12

BLOMVLEI SW 110068 - B P
 0074522467 - 06-NOV-11 1%
 OEK 34.9 TKP 379
 RI 100
 Oud. / Kalwers 4j. 5md. / 2
 Gem SI/Kalf: 87 / 1
 KALWINGS
 10/14 ,10/15

BLOMVLEI SW 070044 - SP SC
 0065591075 - 02-SEP-07 7%

BLOMVLEI SW 040074 - A H
 0049135510 - 07-OCT-04 0%
 OEK - TKP 389
 RI 111 Gem SI/Kalf: 108 / 4
 Oud. / Kalwers 7j. 12md. / 5

MEGA M 040002 - SP P
 0048821524 - 14-MAR-04 5%
ZW BOOMERANG BG 900039 - SP -
 0028628998 - 11-OCT-90 1%
 OEK 36.4 TKP 374
 RI 110 Gem SI/Kalf: 102 / 15
 Oud. / Kalwers 19j. 6md. / 15

BUROWILL ASE 990056 - A -
 0042514505 - 24-OCT-99 0%
 OEK 27.6 TKP 395
 RI 111 Gem SI/Kalf: 105 / 9
 Oud. / Kalwers 12j. 11md. / 10

ZW BOOMERANG BG 940025 - SP -
 0036749745 - 04-OCT-94 3%
ZW BOOMERANG BG 980087 - SP -
 0044845733 - 22-OCT-98 6%
ZW BOOMERANG BG 810027 - SP -
 0043568757 - 17-SEP-81 0%
ZW BOOMERANG BG 840132 - SP -
 0046166294 - 06-OCT-84 14%
 --- -
 --- -
 --- -
- J 960107 - SP -
 0041181660 - 13-AUG-96 2%
BUROWILL ASE 960014 - BS -
 0042274266 - 01-OCT-96 0%

Seleksie waarde	KALF GEMAK ★★★		MELK ★★★		KALFGROEI ★★★★		ONDERHOUD ★		GROEI TOETS					VRUGBAARHEID ★★★			KOEI WAARDE	GROEI WAARDE	PRODUKSIE WAARDE
	94 ₇₅	99 ₆₀	120 ₇₃	68 ₃₁	GDT	Kleiber	VOV	Lengte	Hoogte	SO	OEK	TKP	119 ₃₆						
Geb gew	94	99	120	68	118	115	-	38	14	22	15	16.5	108	119	108	119	-	-	
Geb Mat	94	99	120	68	118	115	-	38	14	22	15	16.5	108	119	108	119	-	-	
Melk	94	99	120	68	118	115	-	38	14	22	15	16.5	108	119	108	119	-	-	
Speen gew	94	99	120	68	118	115	-	38	14	22	15	16.5	108	119	108	119	-	-	
Naspeen	94	99	120	68	118	115	-	38	14	22	15	16.5	108	119	108	119	-	-	
Volw. gewig	94	99	120	68	118	115	-	38	14	22	15	16.5	108	119	108	119	-	-	
GDT	94	99	120	68	118	115	-	38	14	22	15	16.5	108	119	108	119	-	-	
Kleiber	94	99	120	68	118	115	-	38	14	22	15	16.5	108	119	108	119	-	-	
VOV	94	99	120	68	118	115	-	38	14	22	15	16.5	108	119	108	119	-	-	
Lengte	94	99	120	68	118	115	-	38	14	22	15	16.5	108	119	108	119	-	-	
Hoogte	94	99	120	68	118	115	-	38	14	22	15	16.5	108	119	108	119	-	-	
SO	94	99	120	68	118	115	-	38	14	22	15	16.5	108	119	108	119	-	-	
OEK	94	99	120	68	118	115	-	38	14	22	15	16.5	108	119	108	119	-	-	
TKP	94	99	120	68	118	115	-	38	14	22	15	16.5	108	119	108	119	-	-	
In Vitro	94	99	120	68	118	115	-	38	14	22	15	16.5	108	119	108	119	-	-	
Spoelings/Embrios/Kalwers:	94	99	120	68	118	115	-	38	14	22	15	16.5	108	119	108	119	-	-	
Toetse: -	94	99	120	68	118	115	-	38	14	22	15	16.5	108	119	108	119	-	-	
Opmerkings:	94	99	120	68	118	115	-	38	14	22	15	16.5	108	119	108	119	-	-	
Loop by bul HBH12-43 om S2016 te kalf. Verkoop met verskalf SW15-34 vaar HBH12-43.	94	99	120	68	118	115	-	38	14	22	15	16.5	108	119	108	119	-	-	
Inent. -	94	99	120	68	118	115	-	38	14	22	15	16.5	108	119	108	119	-	-	

LOT 82

0442495, S.A. WELZ, POSBUS 521695, SAXONWOLD, 2132, (T)011-447 2858



Name **BLOMVLEI** Ident. number **SW 110074** Sex **FEMALE** Section **B** Reg. number **0074522616** Birth Date **13-NOV-11**

11 0074

DNA: UP1067/12

BLOMVLEI SW 110074 - B P
0074522616 - 13-NOV-11 6%

AFC 36.7 ICP -
RI 89
Age / Calves 4j. 5md. / 1
Avg. Wt/Calv: 108 / 1
CALVINGS
12/14

BLOMVLEI SW 070044 - SP SC
0065591075 - 02-SEP-07 7%

BLOMVLEI SW 090027 - A -
0072057854 - 25-JUN-09 0%

AFC - ICP -
RI - Avg. Wt/Calv: 102 / 1
Age / Calves 3j. 3md. / 1

MEGA M 040002 - SP P
0048821524 - 14-MAR-04 5%

ZW BOOMERANG BG 900039 - SP -
0028628998 - 11-OCT-90 1%

AFC 36.4 ICP 374
RI 110 Avg. Wt/Calv: 102 / 15
Age / Calves 19j. 6md. / 15

MEGA M 030004 - SP P
0048821201 - 23-FEB-03 10%

ZW BOOMERANG BG 940025 - SP -
0036749745 - 04-OCT-94 3%

ZW BOOMERANG BG 980087 - SP -
0044845733 - 22-OCT-98 6%

ZW BOOMERANG BG 810027 - SP -
0043568757 - 17-SEP-81 0%

ZW BOOMERANG BG 840132 - SP -
0046166294 - 06-OCT-84 14%

ZW BOOMERANG BG 940025 - SP -
0036749745 - 04-OCT-94 3%

ZW BOOMERANG BG 980107 - SP -
0044845782 - 07-NOV-98 3%

---- -
--- -%

---- -
--- -%

Avg. Wt/Calv: -

Selection value	CALVING EASE ★★★		MILK ★★★★☆		CALF GRWTH. ★★★		MAINTENANCE ★★★			GROWTH TEST					FERTILITY ★★★			COW VALUE ★★★☆☆	GROWTH VALUE	PRODUCTION VALUE
	102 ₇₁		113 ₅₇		101 ₇₀		104 ₂₇		ADG	Kleiber	FCR	Length	Height	SC	AFC	ICP	105 ₃₁			
Birth wght	101	103	113	101	99	96	108	113	-	104	109	104	123	99	115 ₄₅					
Birth Mat	.51 ₇₃	.05 ₅₄	5.7 ₅₇	3.7 ₇₀	6.2 ₆₂	5 ₂₇	117 ₇	37 ₇	-	27 ₁₃	18 ₁₅	13.5 ₁₅	21.4 ₅₁	-1.6 ₁₁	In Vitro					
Weight/Index	30(8.7%)			161 (102)	173(103)	237 (98)									Flushings/Embrios/Calves: 0/0/0					
	Remarks: Dragtig van HBH12-43 om W2016 te kalv.														Vacc. -					

LOT 83

0442495, S.A. WELZ, POSBUS 521695, SAXONWOLD, 2132, (T)011-447 2858



Naam **BLOMVLEI** Ident. nommer **SW 110079** Geslag **VROULIK** Afdeling **SP** Reg. nommer **0074522665** Geboorte Datum **16-NOV-11**

11 0079

DNS: P1068/12

BLOMVLEI SW 110079 - SP SC
0074522665 - 16-NOV-11 4%

OEK 36.8 TKP -
RI 88
Oud. / Kalwers 4j. 5md. / 1
Gem SI/Kalf: / 0
KALWINGS
12/14

BLOMVLEI SW 070044 - SP SC
0065591075 - 02-SEP-07 7%

BLOMVLEI SW 050019 - SP H
0060017944 - 22-APR-05 6%

OEK 35.7 TKP 437
RI 96 Gem SI/Kalf: 107 / 4
Oud. / Kalwers 7j. 5md. / 4

MEGA M 040002 - SP P
0048821524 - 14-MAR-04 5%

ZW BOOMERANG BG 900039 - SP -
0028628998 - 11-OCT-90 1%

OEK 36.4 TKP 374
RI 110 Gem SI/Kalf: 102 / 15
Oud. / Kalwers 19j. 6md. / 15

NONNIE CR 010015 - SP P
0044826162 - 25-JUL-01 12%

ZW BOOMERANG BG 940025 - SP -
0036749745 - 04-OCT-94 3%

ZW BOOMERANG BG 980087 - SP -
0044845733 - 22-OCT-98 6%

ZW BOOMERANG BG 810027 - SP -
0043568757 - 17-SEP-81 0%

ZW BOOMERANG BG 840132 - SP -
0046166294 - 06-OCT-84 14%

NONNIE CR 960004 - SP -
0036882744 - 29-JUL-96 7%

NONNIE CR 960001 - SP -
0035540202 - 20-MAR-96 6%

BLOMVLEI SW 940004 - SP -
0029912011 - 05-MAY-94 3%

- J 921737 - SP -
0033734104 - 28-OCT-92 11%

Seleksie waarde	KALF GEMAK ★★★		MELK ★★★		KALFGROEI ★★★		ONDERHOUD ★★★			GROEI TOETS					VRUGBAARHEID ★★★☆☆			KOEI WAARDE	GROEI WAARDE	PRODUKSIE WAARDE
	97 ₇₄		105 ₆₀		104 ₇₁		98 ₂₆		GDT	Kleiber	VOV	Lengte	Hoogte	SO	OEK	TKP	113 ₃₇			
Geb gew	97	97	105	104	98	102	104	104	-	103	109	109	109	113	110	109 ₄₈				
Geb Mat	.82 ₇₆	.25 ₅₈	3.6 ₆₀	4.8 ₇₁	5.4 ₆₄	10 ₂₆	102 ₈	26 ₈	-	26 ₁₃	18 ₁₆	15.4 ₁₆	13.2 ₅₅	-4.4 ₁₉	In Vitro					
Teeltwaarde																Spoelings/Embrios/Kalwers: 0/0/0				
Teeltwaarde																Toetse: -				
Gewig/Indeks	33(7.1%)			174 (110)	175(102)	241 (98)										Inent. -				
	Opmerkings: Dragtig by SW10-52 om W2016 te kalv																			

LOT 84

0442495, S.A. WELZ, POSBUS 521695, SAXONWOLD, 2132, (T)011-447 2858



Name Ident. number Sex Section Reg. number Birth Date
BLOMVLEI SW 110077 FEMALE SP 0074522640 15-NOV-11

11 0077

DNA: -

BLOMVLEI SW 110077 - SP P
 0074522640 - 15-NOV-11 5%

AFC 37.1 ICP 362
 RI 96
 Age / Calves 4j. 5md. / 2
 Avg. Wt/Calv: 89 / 1
 CALVINGS
 12/14 ,12/15

GENERAALSDRAAI H 030011 - SP -
 0047197751 - 11-MAY-03 6%

BLOMVLEI SW 070087 - B P
 0065467185 - 06-NOV-07 2%

AFC 34.8 ICP 385
 RI 105 Avg. Wt/Calv: 99 / 4
 Age / Calves 8j. 5md. / 5

ZW BOOMERANG BG 960092 - SP -
 0043293224 - 30-OCT-96 9%

- LB 950105 - SP -
 0039595996 - 08-NOV-95 10%

AFC - ICP 463
 RI 94 Avg. Wt/Calv: 102 / 6
 Age / Calves 17j. 3md. / 10

PISIRI PS 020118 - SP -
 0047280979 - 24-SEP-02 11%

BUROWILL ASE 990053 - A -
 0042514471 - 24-OCT-99 0%

AFC 27.4 ICP 403
 RI 110 Avg. Wt/Calv: 103 / 7
 Age / Calves 11j. 7md. / 8

ZW BOOMERANG BG 900090 - SP -
 0033684234 - 24-DEC-90 3%

ZW BOOMERANG BG 910097 - SP -
 0043293182 - 24-NOV-91 4%

ZW LEBAR LB9117 - - -
 0045055852 - 20-JUN-91 10%

- LB 820014 - SP -
 0046152294 - 23-SEP-82 0%

SIGIDI HKL 972004 - SP -
 0040707440 - 25-NOV-97 7%

LARYN JM 940042 - SP -
 0032701526 - 28-OCT-94 9%

- J 960107 - SP -
 0041181660 - 13-AUG-96 2%

BUROWILL ASE 960005 - BS -
 0042274241 - 01-OCT-96 0%

Selection value	CALVING EASE		MILK	CALF GRWTH.	MAINTENANCE	GROWTH TEST					FERTILITY			COW VALUE	GROWTH VALUE	PRODUCTION VALUE
	★★★	★★★	★	★★★	★★★	ADG	Kleiber	FCR	Length	Height	SC	AFC	ICP			
	100 ₇₈		73 ₆₅	108 ₇₅	95 ₄₃								107 ₄₇			
Birth wght	Birth Mat	Milk	Wean wght	Post wean	Mature wght											
99	108	73	108	102	105	98	95	-	105	105	102	95	110	87 ₅₇	106 ₃₀	98 ₅₂
Breeding value index	.72 ₇₉	-.1 ₆₄	-6.3 ₆₅	6.1 ₇₅	7.6 ₆₆	14 ₄₃	84 ₂₇	15 ₂₇	-	28 ₃₂	16 ₃₄	12.4 ₃₃	3.5 ₆₁	-4.3 ₃₃	In Vitro	
Breeding value															Flushings/Embrios/Calves: 0/0/0	
Weights/Index	32(7.4%)			177 (113)	187(111)	254(105)									Tests: -	
Remarks:	Loop by bul SW13-05 om S2016 te kalf. Verkoop met verskalf SW15-67 vaar HBH12-43															
	Vacc. -															

LOT 85

0442495, S.A. WELZ, POSBUS 521695, SAXONWOLD, 2132, (T)011-447 2858



Naam Ident. nommer Geslag Afdeling Reg. nommer Geboorte Datum
BLOMVLEI SW 110085 VROULIK SP 0074522723 21-NOV-11

11 0085

DNS: -

BLOMVLEI SW 110085 - SP H
 0074522723 - 21-NOV-11 6%

OEK 35 TKP 383
 RI 99
 Oud. / Kalwers 4j. 4md. / 2
 Gem SI/Kalf: 103 / 1
 KALWINGS
 10/14 ,11/15

BLOMVLEI SW 060039 - SP P
 0063613590 - 02-SEP-06 4%

BLOMVLEI SW 040079 - SP H
 0049336324 - 11-OCT-04 4%

OEK 34.8 TKP 385
 RI 105 Gem SI/Kalf: 98 / 5
 Oud. / Kalwers 7j. 12md. / 5

MOTSWIRI AJB 020021 - B -
 0046814281 - 24-SEP-02 5%

- HT 990005 - SP -
 0044845857 - 16-MAY-99 2%

OEK - TKP 433
 RI 93 Gem SI/Kalf: 100 / 7
 Oud. / Kalwers 12j. 12md. / 7

- ELK 940506 - SP -
 0041181876 - 04-AUG-94 12%

ZW BOOMERANG BG 900007 - SP -
 0028628956 - 12-OCT-90 1%

OEK 38.7 TKP 395
 RI 105 Gem SI/Kalf: 98 / 11
 Oud. / Kalwers 17j. 7md. / 13

ZW BOOMERANG BG 950027 - SP -
 0043247139 - 04-NOV-95 3%

MOTSWIRI AJB 960101 - A -
 0042274480 - 10-OCT-96 0%

ZW BOOMERANG BG 950103 - SP -
 0044845451 - 25-NOV-95 4%

- HT 950030 - SP -
 0044845428 - 21-NOV-95 0%

ZW BOOMERANG BG 850108 - SP -
 0022173868 - 17-DEC-85 9%

JAMBO J891331 - - -
 0045069705 - 03-SEP-89 13%

ZW BOOMERANG BG 760003 - SP -
 0043293026 - 17-OCT-76 0%

ZW BOOMERANG BG 810185 - A -
 0046213682 - 26-OCT-81 0%

Seleksie waarde	KALF GEMAK		MELK	KALFGROEI	ONDERHOUD	GROEI TOETS					VRUGBAARHEID			KOEI WAARDE	GROEI WAARDE	PRODUKSIE WAARDE
	★★★	★★★	★★	★★	★★	GDT	Kleiber	VOV	Lengte	Hoogte	SO	OEK	TKP			
	127 ₇₆		98 ₆₄	90 ₇₅	108 ₃₄								101 ₄₂			
Geb gew	Geb Mat	Melk	Speen gew	Naspeen	Volw. gewig											
122	125	98	90	94	92	100	110	-	95	95	107	112	98	114 ₅₃	99 ₂₄	106 ₄₇
Teeltwaarde index	-1.15 ₇₈	-.69 ₆₃	1.3 ₆₄	-.1 ₇₅	3.2 ₆₇	0 ₃₄	91 ₂₂	33 ₂₂	-	19 ₂₃	10 ₂₅	14.8 ₂₈	-12 ₅₈	-1.2 ₂₆	In Vitro	
Teeltwaarde															Spoelings/Embrios/Kalwers: 0/0/0	
Gewig/Index	27(5.6%)			149 (95)	163 (98)	237 (99)									Toetse: -	
Opmerkings:	Loop by SW10-52 om S2016 te kalf. Verkoop met bulkalf SW15-44 vaar XY12-25/SW12-21 Doen DNA															
	Inent. -															

LOT 88

0442495, S.A. WELZ, POSBUS 521695, SAXONWOLD, 2132, (T)011-447 2858



Name Ident. number Sex Section Reg. number Birth Date
BLOMVLEI SW 130001 FEMALE SP 0077999514 16-MAY-13

130001

DNA: -

BLOMVLEI SW 130001 - SP P
 0077999514 - 16-MAY-13 6%

AFC - ICP -
 RI -
 Age / Calves 2j. 11md. / -
 Avg. Wt/Calf: / 0
 CALVINGS -

BLOMVLEI SW 060039 - SP P
 0063613590 - 02-SEP-06 4%

BLOMVLEI SW 090022 - SP P
 0068916766 - 02-JUN-09 9%

AFC 33.2 ICP 390
 RI 106 Avg. Wt/Calf: 91 / 4
 Age / Calves 6j. 10md. / 4

MOTSWIRI AJB 020021 - B -
 0046814281 - 24-SEP-02 5%

- HT 990005 - SP -
 0044845857 - 16-MAY-99 2%

AFC - ICP 433
 RI 93 Avg. Wt/Calf: 100 / 7
 Age / Calves 12j. 12md. / 7

NONNIE CR 010015 - SP P
 0044826162 - 25-JUL-01 12%

ZW BOOMERANG BG 990058 - SP -
 0044846046 - 06-DEC-99 8%

AFC 40 ICP 410
 RI 101 Avg. Wt/Calf: 93 / 11
 Age / Calves 15j. 2md. / 11

ZW BOOMERANG BG 950027 - SP -
 0043247139 - 04-NOV-95 3%

MOTSWIRI AJB 960101 - A -
 0042274480 - 10-OCT-96 0%

ZW BOOMERANG BG 950103 - SP -
 0044845451 - 25-NOV-95 4%

- HT 950030 - SP -
 0044845428 - 21-NOV-95 0%

NONNIE CR 960004 - SP -
 0036882744 - 29-JUL-96 7%

NONNIE CR 960001 - SP -
 0035540202 - 20-MAR-96 6%

ZW BOOMERANG BG 930025 - SP -
 0037012291 - 12-NOV-93 4%

ZW BOOMERANG BG 930083 - SP -
 0044845295 - 31-DEC-93 5%

Selection value	CALVING EASE ☆☆☆		MILK ☆☆☆		CALF GRWTH. ☆☆		MAINTENANCE ☆☆☆☆			GROWTH TEST					FERTILITY ☆☆☆☆			COW VALUE ☆☆☆	GROWTH VALUE ☆☆☆	PRODUCTION VALUE ☆☆☆
	96 ₇₃	99 ₆₀	87 ₇₁	115 ₂₃									112 ₃₀							
Birth wght	Birth Mat	Milk	Wean wght	Post wean	Mature wght	ADG	Kleiber	FCR	Length	Height	SC	AFC	ICP	In Vitro						
96	102	99	87	93	85	94	104	-	88	89	94	112	110	91 ₄₅	95 ₂₀	93 ₄₀				
.95 ₇₅	.08 ₅₉	1.5 ₆₀	-1.1 ₇₁	2.8 ₆₄	-8 ₂₃	73 ₁₆	26 ₁₆	-	14 ₁₇	6 ₂₀	8.7 ₂₄	-11.7 ₄₃	-4.2 ₁₈	Flushings/Embrios/Calves: 0/0/0						
31(6.5%)			147 (84)	243 (98)	244 (97)									Tests: -						
Remarks: Dragtig by SW10-52 om W2016 te kalf														Vacc. -						

LOT 89

0442495, S.A. WELZ, POSBUS 521695, SAXONWOLD, 2132, (T)011-447 2858



Naam Ident. nommer Geslag Afdeling Reg. nommer Geboorte Datum
BLOMVLEI SW 130004 VROULIK SP 0077999522 28-MAY-13

130004

DNS: -

BLOMVLEI SW 130004 - SP P
 0077999522 - 28-MAY-13 5%

OEK - TKP -
 RI -
 Oud. / Kalwers 2j. 10md. / -
 Gem SI/Kalf: / 0
 KALWINGS -

BLOMVLEI SW 060039 - SP P
 0063613590 - 02-SEP-06 4%

BLOMVLEI SW 040123 - SP H
 0049625304 - 02-DEC-04 5%

OEK 33.4 TKP 404
 RI 105 Gem SI/Kalf: 110 / 8
 Oud. / Kalwers 11j. 4md. / 8

MOTSWIRI AJB 020021 - B -
 0046814281 - 24-SEP-02 5%

- HT 990005 - SP -
 0044845857 - 16-MAY-99 2%

OEK - TKP 433
 RI 93 Gem SI/Kalf: 100 / 7
 Oud. / Kalwers 12j. 12md. / 7

- ELK 940506 - SP -
 0041181876 - 04-AUG-94 12%

ZW BOOMERANG BG 900039 - SP -
 0028628998 - 11-OCT-90 1%

OEK 36.4 TKP 374
 RI 110 Gem SI/Kalf: 102 / 15
 Oud. / Kalwers 19j. 6md. / 15

ZW BOOMERANG BG 950027 - SP -
 0043247139 - 04-NOV-95 3%

MOTSWIRI AJB 960101 - A -
 0042274480 - 10-OCT-96 0%

ZW BOOMERANG BG 950103 - SP -
 0044845451 - 25-NOV-95 4%

- HT 950030 - SP -
 0044845428 - 21-NOV-95 0%

ZW BOOMERANG BG 850108 - SP -
 0022173868 - 17-DEC-85 9%

JAMBO J891331 - -
 0045069705 - 03-SEP-89 13%

ZW BOOMERANG BG 810027 - SP -
 0043568757 - 17-SEP-81 0%

ZW BOOMERANG BG 840132 - SP -
 0046166294 - 06-OCT-84 14%

Seleksie waarde	KALF GEMAK ☆☆☆		MELK ☆☆☆☆		KALFGROEI ☆☆☆		ONDERHOUD ☆☆☆			GROEI TOETS					VRUGBAARHEID ☆☆☆			KOEI WAARDE ☆☆☆	GROEI WAARDE ☆☆☆	PRODUKSIE WAARDE ☆☆☆
	103 ₇₄	114 ₆₂	98 ₇₂	96 ₂₇									98 ₃₃							
Geb gew	Geb Mat	Melk	Speen gew	Naspeen	Volw. gewig	GDT	Kleiber	VOV	Lengte	Hoogte	SI	OEK	TKP	☆☆☆☆						
101	114	114	98	103	104	106	108	-	104	99	117	105	96	110 ₄₇	102 ₂₆	106 ₄₃				
.56 ₇₆	-.3 ₆₀	6 ₆₂	2.6 ₇₂	8.4 ₆₆	13 ₂₇	110 ₂₃	31 ₂₃	-	27 ₂₅	12 ₂₈	19.3 ₃₀	-5.5 ₄₈	-9 ₂₀	In Vitro						
27(4.6%)			171 (105)	259(108)	247(100)									Spoelings/Embrios/Kalwers: 0/0/0						
Opmerkings: Dragtig by SW10-52 om W2016 te kalf														Inent. -						

LOT 90

0442495, S.A. WELZ, POSBUS 521695, SAXONWOLD, 2132, (T)011-447 2858



Name Ident. number Sex Section Reg. number Birth Date
BLOMVLEI SW 130006 FEMALE SP 0077999530 30-MAY-13

130006

DNA: -

BLOMVLEI SW 130006 - SP H
 0077999530 - 30-MAY-13 6%

AFC - ICP -
 RI -
 Age / Calves 2j. 10md. / -
 Avg. Wt/Calv: / 0
 CALVINGS -

VEN PM 090011 - SP P
 0069818458 - 09-OCT-09 7%

BLOMVLEI SW 100002 - SP H
 0070486881 - 11-MAR-10 5%

AFC 38.6 ICP -
 RI 83 Avg. Wt/Calv: 103 / 1
 Age / Calves 6j. 1md. / 1

MEGA M 050012 - SP -
 0061497079 - 10-JUL-05 7%

MEGA M 060018 - SP P
 0064142532 - 19-AUG-06 7%

AFC 37.7 ICP 453
 RI 92 Avg. Wt/Calv: 109 / 3
 Age / Calves 9j. 7md. / 5

BLOMVLEI SW 060039 - SP P
 0063613590 - 02-SEP-06 4%

BLOMVLEI SW 070028 - SP H
 0065552002 - 22-MAY-07 3%

AFC 33.6 ICP 396
 RI 105 Avg. Wt/Calv: 103 / 4
 Age / Calves 8j. 10md. / 5

ZW BOOMERANG BG 940025 - SP -
 0036749745 - 04-OCT-94 3%

MEGA MM 990003 - SP -
 0045137924 - 21-AUG-99 5%

NONNIE CR 990045 - SP -
 0042514372 - 01-OCT-99 10%

MEGA M 030026 - SP P
 0048821417 - 31-OCT-03 8%

MOTSWIRI AJB 020021 - B -
 0046814281 - 24-SEP-02 5%

- HT 990005 - SP -
 0044845857 - 16-MAY-99 2%

- DK 952394 - SP -
 0039643861 - 04-MAY-95 3%

ZW BOOMERANG BG 900007 - SP -
 0028628956 - 12-OCT-90 1%

Selection value	CALVING EASE ☆☆☆		MILK ☆☆☆		CALF GRWTH ☆☆☆☆		MAINTENANCE ☆☆☆		GROWTH TEST					FERTILITY ☆☆☆			COW VALUE ☆☆☆☆	GROWTH VALUE ☆☆☆☆	PRODUCTION VALUE ☆☆☆☆
	96 ⁶⁸	103 ⁵³	115 ⁶⁷	98 ⁹						99 ²⁰									
Breeding value index	Birth wght	Birth Mat	Milk	Wean wght	Post wean	Mature wght	ADG	Kleiber	FCR	Length	Height	SC	AFC	ICP	In Vitro				
Breeding value	96	100	103	115	121	102	112	109	-	115	110	95	103	98	113 ³⁶	116 ²⁸	117 ³⁴		
Weights/Index	.97 ⁷⁰	.14 ⁴⁸	2.8 ⁵³	8.6 ⁶⁷	18.6 ⁵⁸	11 ⁹	128 ²⁴	33 ²⁴	-	36 ²⁹	19 ³²	9.5 ³²	-3.9 ³⁴	-1.4 ⁷	Flushings/Embrios/Calves: 0/0/0 Tests: -				
Remarks: Dragtig by SW10-52 om W2016 te kalf																			
															Vacc. -				

LOT 91

0442495, S.A. WELZ, POSBUS 521695, SAXONWOLD, 2132, (T)011-447 2858



Naam Ident. nommer Geslag Afdeling Reg. nommer Geboorte Datum
BLOMVLEI SW 130007 VROULIK SP 0077999548 02-JUN-13

130007

DNS: -

BLOMVLEI SW 130007 - SP P
 0077999548 - 02-JUN-13 6%

OEK - TKP -
 RI -
 Oud. / Kalwers 2j. 10md. / -
 Gem SI/Kalf: / 0
 KALWINGS -

BLOMVLEI SW 060039 - SP P
 0063613590 - 02-SEP-06 4%

ZW BOOMERANG BG 990153 - SP -
 0044846160 - 25-JAN-00 3%

OEK 32.7 TKP 388
 RI 109 Gem SI/Kalf: 98 / 10
 Oud. / Kalwers 14j. 5md. / 12

MOTSWIRI AJB 020021 - B -
 0046814281 - 24-SEP-02 5%

- HT 990005 - SP -
 0044845857 - 16-MAY-99 2%

OEK - TKP 433
 RI 93 Gem SI/Kalf: 100 / 7
 Oud. / Kalwers 12j. 12md. / 7

ZW BOOMERANG BG 850108 - SP -
 0022173868 - 17-DEC-85 9%

ZW BOOMERANG BG 870073 - SP -
 0044844603 - 07-NOV-87 0%

OEK 47 TKP 505
 RI 77 Gem SI/Kalf: / 0
 Oud. / Kalwers 19j. 12md. / 7

ZW BOOMERANG BG 950027 - SP -
 0043247139 - 04-NOV-95 3%

MOTSWIRI AJB 960101 - A -
 0042274480 - 10-OCT-96 0%

ZW BOOMERANG BG 950103 - SP -
 0044845451 - 25-NOV-95 4%

- HT 950030 - SP -
 0044845428 - 21-NOV-95 0%

ZW GUYU GU 782187 - SP -
 0043293034 - 30-OCT-78 10%

ZW BOOMERANG BG 780147 - A -
 0044993228 - 30-SEP-78 4%

ZW BOOMERANG BG 810027 - SP -
 0043568757 - 17-SEP-81 0%

ZW BOOMERANG BG 770264 - SP -
 0044844157 - 15-NOV-77 0%

Seleksie waarde	KALF GEMAK ☆☆☆		MELK ☆☆☆		KALFGROEI ☆☆		ONDERHOUD ☆☆☆☆		GROEI TOETS					VRUGBAARHEID ☆☆☆			KOEI WAARDE ☆☆☆	GROEI WAARDE ☆☆☆	PRODUKSIE WAARDE ☆☆☆
	108 ⁷⁴	98 ⁶¹	85 ⁷²	112 ²⁶						93 ³⁴									
Teeltwaarde index	Geb gew	Geb Mat	Melk	Speen gew	Naspeen	Volw. gewig	GDT	Kleiber	VOV	Lengte	Hoogte	SO	OEK	TKP	In Vitro				
Teeltwaarde	106	111	98	85	82	88	102	110	-	96	95	103	105	91	93 ⁴⁷	100 ²⁴	97 ⁴²		
Gewig/Index	.14 ⁷⁵	-.21 ⁶⁰	1.4 ⁶¹	-1.9 ⁷²	-3.3 ⁶⁵	-4.26	96 ²¹	33 ²¹	-	20 ²¹	10 ²⁴	13 ²⁷	-5.4 ⁴⁷	-5.22	Spoelings/Embrios/Kalwers: 0/0/0 Toetse: -				
Opmerkings: Dragtig by SW10-52 om W2016 te kalf																			
															Inent. -				

LOT 92

0442495, S.A. WELZ, POSBUS 521695, SAXONWOLD, 2132, (T)011-447 2858



Name Ident. number Sex Section Reg. number Birth Date
BLOMVLEI SW 130008 FEMALE SP 0077999555 05-JUN-13

130008

DNA: -

BLOMVLEI SW 130008 - SP P
 0077999555 - 05-JUN-13 4%

AFC - ICP -
 RI -
 Age / Calves 2j. 10md. / -
 Avg. Wt/Calv: / 0
 CALVINGS -

VEN PM 090011 - SP P
 0069818458 - 09-OCT-09 7%

BLOMVLEI SW 100005 - B H
 0070486915 - 25-MAR-10 1%

AFC 38.4 ICP 406
 RI 94 Avg. Wt/Calv: 129 / 2
 Age / Calves 6j. 0md. / 3

MEGA M 050012 - SP -
 0061497079 - 10-JUL-05 7%

MEGA M 060018 - SP P
 0064142532 - 19-AUG-06 7%

AFC 37.7 ICP 453
 RI 92 Avg. Wt/Calv: 109 / 3
 Age / Calves 9j. 7md. / 5

BLOMVLEI SW 060039 - SP P
 0063613590 - 02-SEP-06 4%

BUROWILL ASE 990042 - A -
 0042471466 - 07-OCT-99 0%

AFC 28.7 ICP 424
 RI 104 Avg. Wt/Calv: 110 / 10
 Age / Calves 16j. 3md. / 12

ZW BOOMERANG BG 940025 - SP -
 0036749745 - 04-OCT-94 3%

MEGA MM 990003 - SP -
 0045137924 - 21-AUG-99 5%

NONNIE CR 990045 - SP -
 0042514372 - 01-OCT-99 10%

MEGA M 030026 - SP P
 0048821417 - 31-OCT-03 8%

MOTSWIRI AJB 020021 - B -
 0046814281 - 24-SEP-02 5%

- HT 990005 - SP -
 0044845857 - 16-MAY-99 2%

- J 960107 - SP -
 0041181660 - 13-AUG-96 2%

BUROWILL ASE 960016 - BS -
 0042274274 - 01-OCT-96 0%

Selection value	CALVING EASE		MILK	CALF GRWTH	MAINTENANCE	GROWTH TEST						FERTILITY			COW VALUE	GROWTH VALUE	PRODUCTION VALUE
	★	★	★★★★	★★★★★	★	ADG	Kleiber	FCR	Length	Height	SC	AFC	ICP	★★★			
	68 ₆₉		125 ₅₄	141 ₆₈	68 ₁₅									103 ₂₂	125 ₃₈	126 ₂₉	129 ₃₆
Birth wght	Birth Mat	Milk	Wean wght	Post wean	Mature wght												
63	86	125	141	145	132	131	119	-	135	123	113	93	105	In Vitro			
3.56 ₇₁	.61 ₄₉	9.4 ₅₄	18 ₆₈	32.3 ₅₉	43 ₁₅	183 ₂₆	45 ₂₆	-	53 ₃₀	27 ₃₃	17.6 ₃₃	4.6 ₃₃	-3.2 ₁₁	Flushings/Embrios/Calves: 0/0/0			
33(6.4%)			214 (132)	311(129)	323(132)									Tests: -			
Remarks: Dragtig by SW10-52 om W2016 te kalf														Vacc. -			

LOT 93

0442495, S.A. WELZ, POSBUS 521695, SAXONWOLD, 2132, (T)011-447 2858



Naam Ident. nommer Geslag Afdeling Reg. nommer Geboorte Datum
BLOMVLEI SW 130010 VROULIK SP 0077999571 12-JUN-13

130010

DNS: -

BLOMVLEI SW 130010 - SP P
 0077999571 - 12-JUN-13 3%

OEK - TKP -
 RI -
 Oud. / Kalwers 2j. 10md. / -
 Gem SI/Kalf: / 0
 KALWINGS -

BLOMVLEI SW 060039 - SP P
 0063613590 - 02-SEP-06 4%

BLOMVLEI SW 090047 - B -
 0069469500 - 03-OCT-09 0%

OEK 32.1 TKP 359
 RI 111 Gem SI/Kalf: 102 / 4
 Oud. / Kalwers 6j. 6md. / 4

MOTSWIRI AJB 020021 - B -
 0046814281 - 24-SEP-02 5%

- HT 990005 - SP -
 0044845857 - 16-MAY-99 2%

OEK - TKP 433
 RI 93 Gem SI/Kalf: 100 / 7
 Oud. / Kalwers 12j. 12md. / 7

MEGA M 030004 - SP P
 0048821201 - 23-FEB-03 10%

BLOMVLEI SW 940015 - A -
 0033721127 - 01-AUG-94 0%

OEK - TKP 369
 RI 115 Gem SI/Kalf: 106 / 14
 Oud. / Kalwers 18j. 2md. / 15

ZW BOOMERANG BG 950027 - SP -
 0043247139 - 04-NOV-95 3%

MOTSWIRI AJB 960101 - A -
 0042274480 - 10-OCT-96 0%

ZW BOOMERANG BG 950103 - SP -
 0044845451 - 25-NOV-95 4%

- HT 950030 - SP -
 0044845428 - 21-NOV-95 0%

ZW BOOMERANG BG 940025 - SP -
 0036749745 - 04-OCT-94 3%

ZW BOOMERANG BG 980107 - SP -
 0044845782 - 07-NOV-98 3%

---- -
 --- -%

---- -
 --- -%

Seleksie waarde	KALF GEMAK		MELK	KALFGROEI	ONDERHOUD	GROEI TOETS						VRUGBAARHEID			KOEI WAARDE	GROEI WAARDE	PRODUKSIE WAARDE
	★★★	★★★	★★★★	★★★★★	★★★	GDT	Kleiber	VOV	Lengte	Hoogte	SO	OEK	TKP	★★★			
	99 ₇₃		114 ₆₁	101 ₇₂	102 ₂₂									114 ₃₀	115 ₄₅	111 ₂₄	114 ₄₁
Geb gew	Geb Mat	Melk	Speen gew	Naspeen	Volw. gewig												
97	112	114	101	106	98	113	117	-	109	102	107	113	111	In Vitro			
.85 ₇₅	-.25 ₅₉	6 ₆₁	3.8 ₇₂	9.8 ₆₆	6 ₂₂	131 ₂₂	43 ₂₂	-	31 ₂₂	14 ₂₄	14.9 ₂₇	12.8 ₄₂	-4.6 ₁₈	Flushings/Embrios/Kalwers: 0/0/0			
29(7%)			164 (98)	254(104)	259(105)									Tests: -			
Opmerkings: Dragtig by SW10-52 om W2016 te kalf														Inent. -			

LOT 94

0442495, S.A. WELZ, POSBUS 521695, SAXONWOLD, 2132, (T)011-447 2858



Name Ident. number Sex Section Reg. number Birth Date
BLOMVLEI SW 130011 FEMALE SP 0077999589 14-JUN-13

130011

DNA: -

BLOMVLEI SW 130011 - SP P
 0077999589 - 14-JUN-13 6%

AFC - ICP -
 RI -
 Age / Calves 2j. 10md. / -
 Avg. WI/Calf: / 0
 CALVINGS -

BLOMVLEI SW 060039 - SP P
 0063613590 - 02-SEP-06 4%

ZW BOOMERANG BG 990101 - SP -
 0044846087 - 10-DEC-99 7%

AFC 35.3 ICP 419
 RI 102 Avg. WI/Calf: 92 / 11
 Age / Calves 16j. 4md. / 12

MOTSWIRI AJB 020021 - B -
 0046814281 - 24-SEP-02 5%

- HT 990005 - SP -
 0044845857 - 16-MAY-99 2%

AFC - ICP 433
 RI 93 Avg. WI/Calf: 100 / 7
 Age / Calves 12j. 12md. / 7

ZW BOOMERANG BG 930025 - SP -
 0037012291 - 12-NOV-93 4%

ZW BOOMERANG BG 890115 - SP -
 0044844918 - 05-JAN-90 3%

AFC 35.9 ICP 422
 RI 100 Avg. WI/Calf: / 0
 Age / Calves 19j. 12md. / 7

ZW BOOMERANG BG 950027 - SP -
 0043247139 - 04-NOV-95 3%

MOTSWIRI AJB 960101 - A -
 0042274480 - 10-OCT-96 0%

ZW BOOMERANG BG 950103 - SP -
 0044845451 - 25-NOV-95 4%

- HT 950030 - SP -
 0044845428 - 21-NOV-95 0%

ZW BOOMERANG BG 840221 - SP -
 0043293091 - 17-NOV-84 2%

ZW BOOMERANG BG 830154 - SP -
 0039595921 - 08-NOV-83 2%

ZW GUYU GU 782187 - SP -
 0043293034 - 30-OCT-78 10%

ZW BOOMERANG BG 830100 - SP -
 0044844348 - 29-SEP-83 0%

Selection value	CALVING EASE ★★★		MILK ★★★		CALF GRWTH. ★★★		MAINTENANCE ★★★			GROWTH TEST					FERTILITY ★★★			COW VALUE ★★★	GROWTH VALUE ★★★	PRODUCTION VALUE ★★★
	104 ₇₃	95 ₆₁	92 ₇₂	109 ₂₆						ADG	Kleiber	FCR	Length	Height	SC	AFC	ICP			
Birth wght	Birth Mat	Milk	Wean wght	Post wean	Mature wght	ADG	Kleiber	FCR	Length	Height	SC	AFC	ICP	95 ₄₇	98 ₂₄	96 ₄₂				
104	104	95	92	91	91	100	111	-	94	93	95	102	95	95	98	96				
0.34 ₇₅	0.02 ₅₉	0.5 ₆₁	0.6 ₇₂	1.9 ₆₅	-1.26 ₂₆	91 ₂₁	34 ₂₁	-	18 ₂₁	9 ₂₃	9.5 ₂₇	-3.3 ₄₅	-5.20 ₂₀	In Vitro						
30(6.2%)			157 (92)	232 (94)	237 (94)									Flushings/Embrios/Calves: 0/0/0						
Remarks: Dragtig by SW10-52 om W2016 te kalf														Vacc. -						

LOT 95

0442495, S.A. WELZ, POSBUS 521695, SAXONWOLD, 2132, (T)011-447 2858



Naam Ident. nommer Geslag Afdeling Reg. nommer Geboorte Datum
BLOMVLEI SW 130012 VROULIK SP 0077999597 15-JUN-13

130012

DNS: -

BLOMVLEI SW 130012 - SP P
 0077999597 - 15-JUN-13 4%

OEK - TKP -
 RI -
 Oud. / Kalwers 2j. 10md. / -
 Gem SI/Kalf: / 0
 KALWINGS -

BLOMVLEI SW 060039 - SP P
 0063613590 - 02-SEP-06 4%

BLOMVLEI SW 050028 - SP P
 0060004926 - 09-MAY-05 2%

OEK 36.1 TKP 372
 RI 107 Gem SI/Kalf: 101 / 6
 Oud. / Kalwers 8j. 11md. / 6

MOTSWIRI AJB 020021 - B -
 0046814281 - 24-SEP-02 5%

- HT 990005 - SP -
 0044845857 - 16-MAY-99 2%

OEK - TKP 433
 RI 93 Gem SI/Kalf: 100 / 7
 Oud. / Kalwers 12j. 12md. / 7

BLOMVLEI SW 010040 - SP -
 0045340163 - 22-OCT-01 6%

BLOMVLEI SW 960001 - B -
 0037212651 - 18-OCT-96 0%

OEK 35.2 TKP 431
 RI 99 Gem SI/Kalf: 110 / 7
 Oud. / Kalwers 11j. 3md. / 7

ZW BOOMERANG BG 950027 - SP -
 0043247139 - 04-NOV-95 3%

MOTSWIRI AJB 960101 - A -
 0042274480 - 10-OCT-96 0%

ZW BOOMERANG BG 950103 - SP -
 0044845451 - 25-NOV-95 4%

- HT 950030 - SP -
 0044845428 - 21-NOV-95 0%

BLOMVLEI SW 950010 - SP -
 0034222281 - 06-AUG-95 7%

BLOMVLEI SW 950025 - SP -
 0034854802 - 03-DEC-95 25%

BLOMVLEI SW 940001 - SP -
 0029429057 - 03-JAN-94 2%

BLOMVLEI SW 940015 - A -
 0033721127 - 01-AUG-94 0%

Seleksie waarde	KALF GEMAK ★★★★		MELK ★★★		KALFGROEI ★★		ONDERHOUD ★★★★			GROEI TOETS					VRUGBAARHEID ★★★			KOEI WAARDE ★★★	GROEI WAARDE ★★★	PRODUKSIE WAARDE ★★★
	122 ₇₃	108 ₆₁	78 ₇₂	117 ₂₃						GDT	Kleiber	VOV	Lengte	Hoogte	SO	OEK	TKP			
Geb gew	Geb Mat	Melk	Speen gew	Naspeen	Volw. gewig	GDT	Kleiber	VOV	Lengte	Hoogte	SO	OEK	TKP	109 ₄₆	95 ₂₄	101 ₄₂				
118	122	108	78	79	83	98	107	-	95	95	97	110	103	109	95	101				
-0.8 ₇₅	-0.56 ₅₉	4.3 ₆₁	-4.4 ₇₂	-5.3 ₆₆	-10.23 ₂₃	86 ₂₁	30 ₂₁	-	19 ₂₂	10 ₂₄	10.3 ₂₇	-10.2 ₄₅	-2.5 ₂₀	In Vitro						
27(5.7%)			158 (95)	217 (88)	233 (94)									Spoelings/Embrios/Kalwers: 0/0/0						
Opmerkings: Dragtig by SW10-52 om W2016 te kalf														Inent. -						

LOT 96

0442495, S.A. WELZ, POSBUS 521695, SAXONWOLD, 2132, (T)011-447 2858



Name Ident. number Sex Section Reg. number Birth Date
BLOMVLEI SW 130013 FEMALE SP 0077999605 16-JUN-13

130013

DNA: -

BLOMVLEI SW 130013 - SP P
 0077999605 - 16-JUN-13 4%

AFC - ICP -
 RI -
 Age / Calves 2j. 10md. / -
 Avg. Wt/Calf: / 0
 CALVINGS -

BLOMVLEI SW 060039 - SP P
 0063613590 - 02-SEP-06 4%

BLOMVLEI SW 040087 - SP P
 0049336407 - 23-OCT-04 3%

AFC 35.9 ICP 399
 RI 104 Avg. Wt/Calf: 96 / 8
 Age / Calves 11j. 5md. / 8

MOTSWIRI AJB 020021 - B -
 0046814281 - 24-SEP-02 5%

- HT 990005 - SP -
 0044845857 - 16-MAY-99 2%

AFC - ICP 433
 RI 93 Avg. Wt/Calf: 100 / 7
 Age / Calves 12j. 12md. / 7

BLOMVLEI SW 010040 - SP -
 0045340163 - 22-OCT-01 6%

- LZ 970062 - SP -
 0042955435 - 21-OCT-97 1%

AFC - ICP 417
 RI 96 Avg. Wt/Calf: 99 / 9
 Age / Calves 14j. 11md. / 9

ZW BOOMERANG BG 950027 - SP -
 0043247139 - 04-NOV-95 3%

MOTSWIRI AJB 960101 - A -
 0042274480 - 10-OCT-96 0%

ZW BOOMERANG BG 950103 - SP -
 0044845451 - 25-NOV-95 4%

- HT 950030 - SP -
 0044845428 - 21-NOV-95 0%

BLOMVLEI SW 950010 - SP -
 0034222281 - 06-AUG-95 7%

BLOMVLEI SW 950025 - SP -
 0034854802 - 03-DEC-95 25%

- LZ9041 - - -
 0045077500 - 01-OCT-90 0%

- LZ916 - - -
 0045077518 - 21-AUG-91 0%

Selection value	CALVING EASE ★★★★		MILK ★★★★		CALF GRWTH. ★★★		MAINTENANCE ★★★★★			GROWTH TEST					FERTILITY ★★			COW VALUE ★★★	GROWTH VALUE ★★★	PRODUCTION VALUE ★★★
	113 ₇₄	105 ₆₁	79 ₇₂	133 ₂₆									89 ₃₂							
Breeding value index	Birth wght	Birth Mat	Milk	Wean wght	Post wean	Mature wght	ADG	Kleiber	FCR	Length	Height	SC	AFC	ICP	In Vitro					
	109	121	105	79	79	67	96	106	-	92	90	94	105	87	101 ₄₇	96 ₂₃	98 ₄₂			
Breeding value	-.09 ₇₅	-.53 ₆₀	3.4 ₆₁	-4.3 ₇₂	-5.2 ₆₅	-26 ₂₆	80 ₂₀	29 ₂₀	-	17 ₂₁	7 ₂₃	8.9 ₂₆	-5.8 ₄₅	1.4 ₁₉	0/0/0					
Weights/Index	30(7%)			161 (95)	233 (94)	255(102)									Tests: -					
Remarks: Dragtig by SW10-52 om W2016 te kalf																	Vacc. -			

LOT 97

0442495, S.A. WELZ, POSBUS 521695, SAXONWOLD, 2132, (T)011-447 2858



Naam Ident. nommer Geslag Afdeling Reg. nommer Geboorte Datum
BLOMVLEI SW 130021 VROULIK B 0077999647 29-JUL-13

130021

DNS: -

BLOMVLEI SW 130021 - B H
 0077999647 - 29-JUL-13 1%

OEK - TKP -
 RI -
 Oud. / Kalwers 2j. 8md. / -
 Gem SI/Kalf: / 0
 KALWINGS -

BLOMVLEI SW 060039 - SP P
 0063613590 - 02-SEP-06 4%

BLOMVLEI SW 040075 - A H
 0049135528 - 07-OCT-04 0%

OEK - TKP 454
 RI 96 Gem SI/Kalf: 106 / 6
 Oud. / Kalwers 11j. 6md. / 7

MOTSWIRI AJB 020021 - B -
 0046814281 - 24-SEP-02 5%

- HT 990005 - SP -
 0044845857 - 16-MAY-99 2%

OEK - TKP 433
 RI 93 Gem SI/Kalf: 100 / 7
 Oud. / Kalwers 12j. 12md. / 7

 --- -%
 --- -%
 --- -%

BUROWILL ASE 990042 - A -
 0042471466 - 07-OCT-99 0%

OEK 28.7 TKP 424
 RI 104 Gem SI/Kalf: 110 / 10
 Oud. / Kalwers 16j. 3md. / 12

ZW BOOMERANG BG 950027 - SP -
 0043247139 - 04-NOV-95 3%

MOTSWIRI AJB 960101 - A -
 0042274480 - 10-OCT-96 0%

ZW BOOMERANG BG 950103 - SP -
 0044845451 - 25-NOV-95 4%

- HT 950030 - SP -
 0044845428 - 21-NOV-95 0%

- J 960107 - SP -
 0041181660 - 13-AUG-96 2%

BUROWILL ASE 960016 - BS -
 0042274274 - 01-OCT-96 0%

Seleksie waarde	KALF GEMAK ★★		MELK ★★★★		KALFGROEI ★★★★		ONDERHOUD ★★			GROEI TOETS					VRUGBAARHEID ★★★			KOEI WAARDE ★★★	GROEI WAARDE ★★★★	PRODUKSIE WAARDE ★★★★
	86 ₇₃	113 ₆₁	110 ₇₂	84 ₂₇									100 ₂₈							
Teeltwaarde index	Geb gew	Geb Mat	Melk	Speen gew	Naspeen	Volw. gewig	GDT	Kleiber	VOV	Lengte	Hoogte	SO	OEK	TKP	In Vitro					
	87	95	113	110	114	116	119	121	-	115	109	107	85	105	104 ₄₅	113 ₂₂	110 ₄₀			
Teeltwaarde	1.69 ₇₅	.33 ₅₉	5.9 ₆₁	6.7 ₇₂	14.7 ₆₅	25 ₂₇	147 ₂₀	47 ₂₀	-	36 ₂₀	18 ₂₁	14.7 ₂₄	12.4 ₃₉	-3.1 ₁₆	0/0/0					
Gewig/Index	32(5.2%)			198 (121)	258(105)	261(104)									Toetse: -					
Opmerkings: Dragtig by HBH12-43 om W2016 te kalf																	Inent. -			

LOT 98

0442495, S.A. WELZ, POSBUS 521695, SAXONWOLD, 2132, (T)011-447 2858



Name Ident. number Sex Section Reg. number Birth Date
BLOMVLEI SW 130036 FEMALE SP 0078645173 09-OCT-13

SW 130036

DNA: -

BLOMVLEI SW 130036 - SP P
 0078645173 - 09-OCT-13 4%

AFC - ICP -
 RI -
 Age / Calves 2j. 6md. / -
 Avg. Wt/Calv: / 0
 CALVINGS -

BLOMVLEI SW 060039 - SP P
 0063613590 - 02-SEP-06 4%

BLOMVLEI SW 100031 - SP P
 0071491666 - 26-SEP-10 2%

AFC 36.4 ICP -
 RI 89 Avg. Wt/Calv: 106 / 1
 Age / Calves 5j. 6md. / 1

MOTSWIRI AJB 020021 - B -
 0046814281 - 24-SEP-02 5%

- HT 990005 - SP -
 0044845857 - 16-MAY-99 2%

AFC - ICP 433
 RI 93 Avg. Wt/Calv: 100 / 7
 Age / Calves 12j. 12md. / 7

MEGA M 030004 - SP P
 0048821201 - 23-FEB-03 10%

BLOMVLEI SW 070007 - B P
 0065616203 - 05-APR-07 1%

AFC 28.9 ICP 377
 RI 113 Avg. Wt/Calv: 98 / 3
 Age / Calves 6j. 7md. / 5

ZW BOOMERANG BG 950027 - SP -
 0043247139 - 04-NOV-95 3%

MOTSWIRI AJB 960101 - A -
 0042274480 - 10-OCT-96 0%

ZW BOOMERANG BG 950103 - SP -
 0044845451 - 25-NOV-95 4%

- HT 950030 - SP -
 0044845428 - 21-NOV-95 0%

ZW BOOMERANG BG 940025 - SP -
 0036749745 - 04-OCT-94 3%

ZW BOOMERANG BG 980107 - SP -
 0044845782 - 07-NOV-98 3%

PISIRI PS 020118 - SP -
 0047280979 - 24-SEP-02 11%

BLOMVLEI SW 040014 - A -
 0048349013 - 06-APR-04 0%

Selection value	CALVING EASE ★★★★☆		MILK ★★★★		CALF GRWTH. ★★★☆☆		MAINTENANCE ★★★☆☆			GROWTH TEST					FERTILITY ★★★☆☆			COW VALUE ★★★★☆	GROWTH VALUE ★★★★	PRODUCTION VALUE ★★★★
	112 ₇₂	103 ₆₀	99 ₇₁	95 ₂₁									107 ₂₈							
Birth wght	Birth Mat	Milk	Wean wght	Post wean	Mature wght	ADG	Kleiber	FCR	Length	Height	SC	AFC	ICP	In Vitro						
Breeding value index	109	120	103	99	105	105	105	112	-	101	99	101	105	106	112 ₄₄	103 ₂₃	107 ₄₀			
Breeding value	-.09 ₇₄	-.51 ₅₇	2.8 ₆₀	2.9 ₇₁	9.3 ₆₄	14 ₂₁	106 ₂₀	36 ₂₀	-	24 ₂₁	12 ₂₃	12 ₂₆	-5.5 ₄₁	-3.3 ₁₄	Flushings/Embrios/Calves: 0/0/0					
Weights/Index	24(6.6%)			154 (106)	162 (98)	246(110)		-	-	-	-	-	-	-	Tests: -					
Remarks:	Loop by bul SW10-52 om S2016 te kalf														Vacc. -					

LOT 99

0442495, S.A. WELZ, POSBUS 521695, SAXONWOLD, 2132, (T)011-447 2858



Naam Ident. nommer Geslag Afdeling Reg. nommer Geboorte Datum
BLOMVLEI SW 130040 VROULIK SP 0078644903 12-OCT-13

SW 130040

DNS: -

BLOMVLEI SW 130040 - SP P
 0078644903 - 12-OCT-13 6%

OEK - TKP -
 RI -
 Oud. / Kalwers 2j. 6md. / -
 Gem SI/Kalf: / 0
 KALWINGS -

BLOMVLEI SW 090025 - SP P
 0068916790 - 08-JUN-09 4%

BLOMVLEI SW 070067 - SP P
 0065467011 - 12-OCT-07 4%

OEK 35.5 TKP 372
 RI 106 Gem SI/Kalf: 88 / 4
 Oud. / Kalwers 8j. 6md. / 5

MEGA M 030004 - SP P
 0048821201 - 23-FEB-03 10%

BLOMVLEI SW 960022 - SP -
 0037526936 - 21-DEC-96 10%

OEK 33.9 TKP 460
 RI 95 Gem SI/Kalf: 105 / 10
 Oud. / Kalwers 16j. 5md. / 11

BLOMVLEI SW 030030 - B -
 0047516182 - 08-SEP-03 0%

BLOMVLEI SW 050003 - SP P
 0049456718 - 05-JAN-05 8%

OEK 33.2 TKP 372
 RI 111 Gem SI/Kalf: 98 / 6
 Oud. / Kalwers 11j. 0md. / 8

ZW BOOMERANG BG 940025 - SP -
 0036749745 - 04-OCT-94 3%

ZW BOOMERANG BG 980107 - SP -
 0044845782 - 07-NOV-98 3%

- J 922802 - SP -
 0033733973 - 26-JUN-92 11%

- J 921708 - SP -
 0033734088 - 19-JUL-92 10%

ZW BOOMERANG BG 970110 - SP -
 0044845550 - 03-DEC-97 8%

BLOMVLEI SW 940015 - A -
 0033721127 - 01-AUG-94 0%

- ELK 940506 - SP -
 0041181876 - 04-AUG-94 12%

- HT 990046 - SP -
 0044846004 - 27-NOV-99 4%

Seleksie waarde	KALF GEMAK ★★★★☆		MELK ★★★☆☆		KALFGROEI ★★★☆☆		ONDERHOUD ★★★★☆			GROEI TOETS					VRUGBAARHEID ★★★☆☆			KOEI WAARDE ★★★☆☆	GROEI WAARDE - . - .	PRODUKSIE WAARDE - . - .
	112 ₅₇	95 ₅₇	83 ₇₀	114 ₂₃									104 ₂₅							
Geb gew	Geb Mat	Melk	Speen gew	Naspeen	Volw. gewig	GDT	Kleiber	VOV	Lengte	Hoogte	SO	OEK	TKP	★★★★☆						
Teeltwaarde index	113	90	95	83	86	-	-	-	76	74	86	102	104	95 ₄₁	-	-				
Teeltwaarde	-.37 ₅₈	.49 ₄₅	.4 ₅₇	-2.6 ₇₀	-.7 ₆₂	-6 ₂₃	-	-	4 ₈	-2 ₁₂	5.2 ₁₂	-2.9 ₃₅	-2.8 ₁₅	In Vitro						
Gewig/Index	25(5.9%)			134 (89)	151 (89)	216 (95)		-	-	-	-	-	-	Spoelings/Embrios/Kalwers: 0/0/0						
Opmerkings:	Loop by HBH12-43 om S2016 te kalf														Inent. -					

LOT 100

0442495, S.A. WELZ, POSBUS 521695, SAXONWOLD, 2132, (T)011-447 2858



Name Ident. number Sex Section Reg. number Birth Date
BLOMVLEI SW 130044 FEMALE SP 0078644911 14-OCT-13

SW 130044

DNA: -

BLOMVLEI SW 130044 - SP P
 0078644911 - 14-OCT-13 4%

AFC - ICP -
 RI -
 Age / Calves 2j. 6md. / -
 Avg. Wt/Calv: / 0
 CALVINGS -

BLOMVLEI SW 080043 - SP P
 0068334176 - 19-AUG-08 4%

BLOMVLEI SW 100033 - B P
 0071491682 - 28-SEP-10 2%

AFC 36.5 ICP 397
 RI 98 Avg. Wt/Calv: 100 / 1
 Age / Calves 5j. 6md. / 3

NONNIE CR 010015 - SP P
 0044826162 - 25-JUL-01 12%

- LB 950058 - SP -
 0039643572 - 23-OCT-95 4%

AFC - ICP 481
 RI 91 Avg. Wt/Calv: 111 / 8
 Age / Calves 15j. 3md. / 8

BLOMVLEI SW 060039 - SP P
 0063613590 - 02-SEP-06 4%

BLOMVLEI SW 020020 - A -
 0046361598 - 29-AUG-02 0%

AFC - ICP 440
 RI 99 Avg. Wt/Calv: 105 / 6
 Age / Calves 9j. 8md. / 6

NONNIE CR 960004 - SP -
 0036882744 - 29-JUL-96 7%

NONNIE CR 960001 - SP -
 0035540202 - 20-MAR-96 6%

ZW LEBAR LB9239 - - -
 0045056777 - 14-OCT-92 11%

- LB 870127 - SP -
 0046193637 - 23-NOV-87 0%

MOTSWIRI AJB 020021 - B -
 0046814281 - 24-SEP-02 5%

- HT 990005 - SP -
 0044845857 - 16-MAY-99 2%

---- -
 --- -%

BLOMVLEI SW 990007 - SP -
 0042435594 - 24-SEP-99 3%

Selection value	CALVING EASE ☆☆☆		MILK ☆☆☆☆		CALF GRWTH. ☆☆☆		MAINTENANCE ☆☆☆			GROWTH TEST					FERTILITY ☆☆☆			COW VALUE ☆☆☆☆	GROWTH VALUE	PRODUCTION VALUE
	93 ₅₅	112 ₅₇	109 ₆₉	99 ₁₉						ADG	Kleiber	FCR	Length	Height	SC	AFC	ICP			
Birth wght	Birth Mat	Milk	Wean wght	Post wean	Mature wght	ADG	Kleiber	FCR	Length	Height	SC	AFC	ICP	In Vitro						
91	119	112	109	113	101	105	105	-	105	104	105	100	110	115 ₄₁			-	-		
1.37 ₅₆	-.49 ₄₈	5.6 ₅₇	6.5 ₆₉	14 ₆₂	10 ₁₉	107 ₅	27 ₅	-	28 ₈	15 ₁₁	14 ₁₃	-1.1 ₃₇	-4.4 ₁₇	Flushings/Embrios/Calves: 0/0/0						
29(8.1%)														Tests: -				0/0/0		
Remarks: Loop by bul SW10-52 om S2016 te kalf														Vacc. -						

LOT 101

0442495, S.A. WELZ, POSBUS 521695, SAXONWOLD, 2132, (T)011-447 2858



Naam Ident. nommer Geslag Afdeling Reg. nommer Geboorte Datum
BLOMVLEI SW 130052 VROULIK SP 0078645371 20-OCT-13

SW 130052

DNS: -

BLOMVLEI SW 130052 - SP P
 0078645371 - 20-OCT-13 5%

OEK - TKP -
 RI -
 Oud. / Kalwers 2j. 5md. / -
 Gem SI/Kalf: / 0
 KALWINGS -

BLOMVLEI SW 060039 - SP P
 0063613590 - 02-SEP-06 4%

BLOMVLEI SW 070071 - SP H
 0065467052 - 19-OCT-07 7%

OEK 35.4 TKP 379
 RI 106 Gem SI/Kalf: 101 / 4
 Oud. / Kalwers 8j. 5md. / 5

MOTSWIRI AJB 020021 - B -
 0046814281 - 24-SEP-02 5%

- HT 990005 - SP -
 0044845857 - 16-MAY-99 2%

OEK - TKP 433
 RI 93 Gem SI/Kalf: 100 / 7
 Oud. / Kalwers 12j. 12md. / 7

MEGA M 040002 - SP P
 0048821524 - 14-MAR-04 5%

BLOMVLEI SW 010013 - B -
 0045189008 - 11-SEP-01 10%

OEK 34.6 TKP 378
 RI 109 Gem SI/Kalf: 95 / 7
 Oud. / Kalwers 11j. 1md. / 8

ZW BOOMERANG BG 950027 - SP -
 0043247139 - 04-NOV-95 3%

MOTSWIRI AJB 960101 - A -
 0042274480 - 10-OCT-96 0%

ZW BOOMERANG BG 950103 - SP -
 0044845451 - 25-NOV-95 4%

- HT 950030 - SP -
 0044845428 - 21-NOV-95 0%

ZW BOOMERANG BG 940025 - SP -
 0036749745 - 04-OCT-94 3%

ZW BOOMERANG BG 980087 - SP -
 0044845733 - 22-OCT-98 6%

- ELK 940506 - SP -
 0041181876 - 04-AUG-94 12%

BLOMVLEI SW 980045 - A -
 0043368414 - 02-NOV-98 7%

Seleksie waarde	KALF GEMAK ☆☆☆		MELK ☆☆☆		KALFGROEI ☆☆☆		ONDERHOUD ☆☆☆			GROEI TOETS					VRUGBAARHEID ☆☆☆			KOEI WAARDE ☆☆	GROEI WAARDE ☆☆☆	PRODUKSIE WAARDE ☆☆☆
	103 ₇₄	98 ₆₁	106 ₇₁	102 ₂₅	GDT	Kleiber	VOV	Lengte	Hoogte	SI	OEK	TKP	91 ₃₁	106 ₄₆	106 ₂₄	107 ₄₂				
Geb gew	Geb Mat	Melk	Speen gew	Naspeen	Volw. gewig	GDT	Kleiber	VOV	Lengte	Hoogte	SI	OEK	TKP	In Vitro						
100	118	98	106	110	98	110	117	-	106	103	110	95	92	Flushings/Embrios/Kalwers: 0/0/0						
.6 ₇₆	-.43 ₅₉	1.4 ₆₁	5.4 ₇₁	12.2 ₆₅	6.25	121 ₂₀	42 ₂₀	-	28 ₂₂	15 ₂₄	18.7 ₂₇	3.5 ₄₄	2.18	Toetse: -						
28(6.7%)														Inent. -						
Opmerkings: Loop by HBH12-43 om S2016 te kalf																				

LOT 102

0442495, S.A. WELZ, POSBUS 521695, SAXONWOLD, 2132, (T)011-447 2858



Name Ident. number Sex Section Reg. number Birth Date
BLOMVLEI SW 130055 FEMALE SP 0078645660 22-OCT-13

SW 130055

DNA: -

BLOMVLEI SW 130055 - SP H
 0078645660 - 22-OCT-13 4%

AFC - ICP -
 RI -
 Age / Calves 2j. 5md. / -
 Avg. Wt/Calv: / 0
 CALVINGS -

BLOMVLEI SW 060039 - SP P
 0063613590 - 02-SEP-06 4%

BLOMVLEI SW 080007 - SP SC
 0066297599 - 14-APR-08 6%

AFC 42 ICP 370
 RI 92 Avg. Wt/Calv: 90 / 3
 Age / Calves 7j. 12md. / 3

MOTSWIRI AJB 020021 - B -
 0046814281 - 24-SEP-02 5%

- HT 990005 - SP -
 0044845857 - 16-MAY-99 2%

AFC - ICP 433
 RI 93 Avg. Wt/Calv: 100 / 7
 Age / Calves 12j. 12md. / 7

PISIRI PS 020118 - SP -
 0047280979 - 24-SEP-02 11%

BLOMVLEI SW 050019 - SP H
 0060017944 - 22-APR-05 6%

AFC 35.7 ICP 437
 RI 96 Avg. Wt/Calv: 107 / 4
 Age / Calves 7j. 5md. / 4

ZW BOOMERANG BG 950027 - SP -
 0043247139 - 04-NOV-95 3%

MOTSWIRI AJB 960101 - A -
 0042274480 - 10-OCT-96 0%

ZW BOOMERANG BG 950103 - SP -
 0044845451 - 25-NOV-95 4%

- HT 950030 - SP -
 0044845428 - 21-NOV-95 0%

SIGIDI HKL 972004 - SP -
 0040707440 - 25-NOV-97 7%

LARYN JM 940042 - SP -
 0032701526 - 28-OCT-94 9%

NONNIE CR 010015 - SP P
 0044826162 - 25-JUL-01 12%

BLOMVLEI SW 960019 - SP -
 0037302429 - 19-NOV-96 4%

Selection value	CALVING EASE ★★		MILK ★★★		CALF GRWTH. ★★★		MAINTENANCE ★★★			GROWTH TEST					FERTILITY ★★★			COW VALUE ★★	GROWTH VALUE ★★★	PRODUCTION VALUE ★★★
	87 ₇₃	97 ₆₁	96 ₇₂	107 ₂₆	ADG	Kleiber	FCR	Length	Height	SC	AFC	ICP	102 ₃₀							
Birth wght	Birth Mat	Milk	Wean wght	Post wean	Mature wght	96	105	-	93	97	101	97	104	86 ₄₆	96 ₂₄	91 ₄₂				
Breeding value index	88	98	97	96	102	93	96	105	-	93	97	101	97	104	86 ₄₆	96 ₂₄	91 ₄₂			
Breeding value	1.6 ₇₅	.21 ₅₈	.9 ₆₁	1.9 ₇₂	7.9 ₆₆	1 ₂₆	79 ₂₁	27 ₂₁	-	18 ₂₂	11 ₂₄	12 ₂₇	1.3 ₄₃	-2.8 ₁₈	In Vitro					
Weights/Index	32(7.7%)			131 (81)	176(102)	238(102)									Flushings/Embrios/Calves: 0/0/0					
	Remarks: Loop by bul XY12-25 / SW10-18 om S2016 te kalf. Doen DNA															Vacc. -				

LOT 103

0442495, S.A. WELZ, POSBUS 521695, SAXONWOLD, 2132, (T)011-447 2858



Naam Ident. nommer Geslag Afdeling Reg. nommer Geboorte Datum
BLOMVLEI SW 130056 VROULIK B 0078645678 22-OCT-13

SW 130056

DNS: -

BLOMVLEI SW 130056 - B P
 0078645678 - 22-OCT-13 3%

OEK - TKP -
 RI -
 Oud. / Kalwers 2j. 5md. / -
 Gem SI/Kalf: / 0
 KALWINGS -

BLOMVLEI SW 080043 - SP P
 0068334176 - 19-AUG-08 4%

BLOMVLEI SW 060075 - A -
 0067874933 - 03-NOV-06 2%

OEK - TKP 371
 RI 115 Gem SI/Kalf: 116 / 4
 Oud. / Kalwers 8j. 7md. / 6

NONNIE CR 010015 - SP P
 0044826162 - 25-JUL-01 12%

- LB 950058 - SP -
 0039643572 - 23-OCT-95 4%

OEK - TKP 481
 RI 91 Gem SI/Kalf: 111 / 8
 Oud. / Kalwers 15j. 3md. / 8

MOTSWIRI AJB 020021 - B -
 0046814281 - 24-SEP-02 5%

BLOMVLEI SW 020058 - A -
 0046621314 - 06-OCT-02 0%

OEK - TKP 428
 RI 102 Gem SI/Kalf: 96 / 1
 Oud. / Kalwers 6j. 1md. / 2

NONNIE CR 960004 - SP -
 0036882744 - 29-JUL-96 7%

NONNIE CR 960001 - SP -
 0035540202 - 20-MAR-96 6%

ZW LEBAR LB9239 - - -
 0045056777 - 14-OCT-92 11%

- LB 870127 - SP -
 0046193637 - 23-NOV-87 0%

ZW BOOMERANG BG 950027 - SP -
 0043247139 - 04-NOV-95 3%

MOTSWIRI AJB 960101 - A -
 0042274480 - 10-OCT-96 0%

- - - - -
 - - - - - 0%

- HT 990005 - SP -
 0044845857 - 16-MAY-99 2%

Seleksie waarde	KALF GEMAK ★★★		MELK ★★★★		KALFGROEI ★★★★		ONDERHOUD ★★★			GROEI TOETS					VRUGBAARHEID ★★★			KOEI WAARDE ★★★	GROEI WAARDE -	PRODUKSIE WAARDE -
	92 ₇₂	122 ₅₈	110 ₇₀	116	107	114	112	-	112	108	110	103	104	120 ₄₁						
Geb gew	Geb Mat	Melk	Speen gew	Naspeen	Volw. gewig	GDT	Kleiber	VOV	Lengte	Hoogte	SO	OEK	TKP	120 ₄₁	In Vitro					
1.39 ₇₄	-.23 ₅₇	8.6 ₅₈	6.9 ₇₀	15.6 ₆₃	17 ₂₀	132 ₁₃	37 ₁₃	-	33 ₁₀	18 ₁₂	16.1 ₁₈	-4 ₃₃	-2.7 ₁₅	Spoelings/Embrios/Kalwers: 0/0/0						
Gewig/Index			170 (115)	190(114)	260(114)									Toetse: -						
	Opmerkings: Loop by bul SW10-52 om S2016 te kalf															Inent. -				

LOT 104

0442495, S.A. WELZ, POSBUS 521695, SAXONWOLD, 2132, (T)011-447 2858



Name Ident. number Sex Section Reg. number Birth Date
BLOMVLEI SW 130065 FEMALE SP 0078645769 30-OCT-13

SW 130065

DNA: -

BLOMVLEI SW 130065 - SP P
 0078645769 - 30-OCT-13 3%

AFC - ICP -
 RI -
 Age / Calves 2j. 5md. / -
 Avg. WI/Calv: / 0
 CALVINGS -

BLOMVLEI SW 060039 - SP P
 0063613590 - 02-SEP-06 4%

BLOMVLEI SW 100038 - SP P
 0071680367 - 04-OCT-10 3%

AFC 36.9 ICP 591
 RI 81 Avg. WI/Calv: 103 / 2
 Age / Calves 5j. 6md. / 2

MOTSWIRI AJB 020021 - B -
 0046814281 - 24-SEP-02 5%

- HT 990005 - SP -
 0044845857 - 16-MAY-99 2%

AFC - ICP 433
 RI 93 Avg. WI/Calv: 100 / 7
 Age / Calves 12j. 12md. / 7

BLOMVLEI SW 070050 - B P
 0065616161 - 22-SEP-07 1%

BLOMVLEI SW 960004 - SP -
 0037212685 - 25-OCT-96 3%

AFC 35.3 ICP 400
 RI 105 Avg. WI/Calv: 106 / 12
 Age / Calves 15j. 11md. / 12

ZW BOOMERANG BG 950027 - SP -
 0043247139 - 04-NOV-95 3%

MOTSWIRI AJB 960101 - A -
 0042274480 - 10-OCT-96 0%

ZW BOOMERANG BG 950103 - SP -
 0044845451 - 25-NOV-95 4%

- HT 950030 - SP -
 0044845428 - 21-NOV-95 0%

MEGA M 040002 - SP P
 0048821524 - 14-MAR-04 5%

BLOMVLEI SW 040075 - A H
 0049135528 - 07-OCT-04 0%

- J 922802 - SP -
 0033733973 - 26-JUN-92 11%

ZW BOOMERANG BG 900039 - SP -
 0028628998 - 11-OCT-90 1%

Selection value	CALVING EASE ☆☆☆		MILK ☆☆☆☆		CALF GRWTH. ☆☆☆		MAINTENANCE ☆☆☆			GROWTH TEST					FERTILITY ☆☆			COW VALUE ☆☆☆	GROWTH VALUE ☆☆☆	PRODUCTION VALUE ☆☆☆
	92 ₇₃	111 ₆₀	97 ₇₂	109 ₂₁									78 ₂₉							
Birth wght	Birth Mat	Milk	Wean wght	Post wean	Mature wght	ADG	Kleiber	FCR	Length	Height	SC	AFC	ICP	In Vitro						
92	102	111	97	101	91	106	114	-	100	99	104	93	79	98 ₄₄	103 ₂₂	101 ₄₀				
1.27 ₇₅	.08 ₅₈	5.3 ₆₀	2.3 ₇₂	7.1 ₆₅	-1 ₂₁	108 ₁₉	38 ₁₉	-	23 ₁₉	12 ₂₁	13.2 ₂₄	5.4 ₄₂	3.5 ₁₆	Flushings/Embrios/Calves: 0/0/0						
30(9.5%)			151 (98)	158 (91)	227 (98)									Tests: -						
Remarks: Loop by bul XY12-25 / SW10-18 om S2016 te kalf. Doen DNA														Vacc. -						

LOT 105

0442495, S.A. WELZ, POSBUS 521695, SAXONWOLD, 2132, (T)011-447 2858



Naam Ident. nommer Geslag Afdeling Reg. nommer Geboorte Datum
BLOMVLEI SW 130067 VROULIK B 0078645785 31-OCT-13

SW 130067

DNS: -

BLOMVLEI SW 130067 - B P
 0078645785 - 31-OCT-13 6%

OEK - TKP -
 RI -
 Oud. / Kalwers 2j. 5md. / -
 Gem SI/Kalf: / 0
 KALWINGS -

BLOMVLEI SW 090025 - SP P
 0068916790 - 08-JUN-09 4%

BLOMVLEI SW 080014 - A -
 0072057813 - 28-APR-08 0%

OEK - TKP 363
 RI 117 Gem SI/Kalf: 101 / 3
 Oud. / Kalwers 7j. 11md. / 3

MEGA M 030004 - SP P
 0048821201 - 23-FEB-03 10%

BLOMVLEI SW 960022 - SP -
 0037526936 - 21-DEC-96 10%

OEK 33.9 TKP 460
 RI 95 Gem SI/Kalf: 105 / 10
 Oud. / Kalwers 16j. 5md. / 11

MEGA M 040002 - SP P
 0048821524 - 14-MAR-04 5%

 --- -%

 --- -%

Gem SI/Kalf: -

ZW BOOMERANG BG 940025 - SP -
 0036749745 - 04-OCT-94 3%

ZW BOOMERANG BG 980107 - SP -
 0044845782 - 07-NOV-98 3%

- J 922802 - SP -
 0033733973 - 26-JUN-92 11%

- J 921708 - SP -
 0033734088 - 19-JUL-92 10%

ZW BOOMERANG BG 940025 - SP -
 0036749745 - 04-OCT-94 3%

ZW BOOMERANG BG 980087 - SP -
 0044845733 - 22-OCT-98 6%

Seleksie waarde	KALF GEMAK ☆☆☆☆		MELK ☆☆☆		KALFGROEI ☆☆		ONDERHOUD ☆☆☆☆			GROEI TOETS					VRUGBAARHEID ☆☆☆			KOEI WAARDE ☆☆☆☆	GROEI WAARDE	PRODUKSIE WAARDE
	119 ₇₀	108 ₅₄	86 ₆₇	116 ₁₆						93 ₂₀										
Geb gew	Geb Mat	Melk	Speen gew	Naspeen	Volw. gewig	GDT	Kleiber	VOV	Lengte	Hoogte	SO	OEK	TKP	☆☆☆☆						
119	97	108	86	82	84	101	106	-	97	102	99	110	90	112 ₃₈	-	-				
-86 ₇₂	.25 ₅₂	4.3 ₅₄	-1.6 ₆₇	-3.7 ₅₉	-8 ₁₆	94 ₁₁	29 ₁₁	-	21 ₁₆	14 ₁₈	11.2 ₁₈	-10 ₃₀	.7 ₁₁	In Vitro						
25(6.9%)			169 (98)	156 (93)	218 (95)									Spoelings/Embrios/Kalwers: 0/0/0						
Opmerkings: Loop by HBH12-43/SW13-05 om S2016 te kalf. Doen DNA														Toetse: -						
														Inent. -						

LOT 106

0442495, S.A. WELZ, POSBUS 521695, SAXONWOLD, 2132, (T)011-447 2858



Name Ident. number Sex Section Reg. number Birth Date
BLOMVLEI SW 130073 FEMALE SP 0079238945 09-NOV-13

SW 130073

DNA: -

BLOMVLEI SW 130073 - SP P
 0079238945 - 09-NOV-13 7%

AFC - ICP -
 RI -
 Age / Calves 2j. 5md. / -
 Avg. Wt/Calv: / 0
 CALVINGS -

BLOMVLEI SW 080043 - SP P
 0068334176 - 19-AUG-08 4%

BLOMVLEI SW 080049 - SP P
 0067146233 - 16-SEP-08 10%

AFC 37 ICP 439
 RI 94 Avg. Wt/Calv: 98 / 4
 Age / Calves 7j. 7md. / 4

NONNIE CR 010015 - SP P
 0044826162 - 25-JUL-01 12%

- LB 950058 - SP -
 0039643572 - 23-OCT-95 4%

AFC - ICP 481
 RI 91 Avg. Wt/Calv: 111 / 8
 Age / Calves 15j. 3md. / 8

PULU PT 010037 - SP -
 0045340189 - 22-OCT-01 10%

BLOMVLEI SW 030012 - SP -
 0047197736 - 30-APR-03 8%

AFC 29.7 ICP 387
 RI 111 Avg. Wt/Calv: 87 / 6
 Age / Calves 9j. 5md. / 6

NONNIE CR 960004 - SP -
 0036882744 - 29-JUL-96 7%

NONNIE CR 960001 - SP -
 0035540202 - 20-MAR-96 6%

ZW LEBAR LB9239 - -
 0045056777 - 14-OCT-92 11%

- LB 870127 - SP -
 0046193637 - 23-NOV-87 0%

JAMBO J 942990 - SP -
 0035453182 - 06-JUL-94 12%

SIGIDI HKL 950008 - SP -
 0038230868 - 15-OCT-95 13%

- ELK 940506 - SP -
 0041181876 - 04-AUG-94 12%

BLOMVLEI SW 960004 - SP -
 0037212685 - 25-OCT-96 3%

Selection value	CALVING EASE ☆☆☆		MILK ☆☆☆		CALF GRWTH. ☆☆☆		MAINTENANCE ☆☆☆☆			GROWTH TEST					FERTILITY ☆☆☆☆			COW VALUE ☆☆☆☆	GROWTH VALUE	PRODUCTION VALUE
	99 ₇₃	108 ₆₀	102 ₇₂	116 ₂₃									110 ₂₉							
Breeding value index	Birth wght	Birth Mat	Milk	Wean wght	Post wean	Mature wght	ADG	Kleiber	FCR	Length	Height	SC	AFC	ICP	☆☆☆☆					
	96	117	108	102	103	84	88	87	-	-	91	100	111	108	115 ₄₅	-	-			
Breeding value	.93 ₇₅	-.39 ₅₉	4.3 ₆₀	4.1 ₇₂	8.2 ₆₄	-8 ₂₃	56 ₈	5 ₈	-	-	8 ₅	11.6 ₁₇	-11.5 ₄₀	-3.7 ₁₈	In Vitro					
Weights/Index	31(8.4%)			154 (100)	170(111)	248(107)									Flushings/Embrios/Calves: 0/0/0 Tests: -					
Remarks: Loop by bul SW13-05 om S2016 te kalf															Vacc. -					

LOT 107

0442495, S.A. WELZ, POSBUS 521695, SAXONWOLD, 2132, (T)011-447 2858



Naam Ident. nommer Geslag Afdeling Reg. nommer Geboorte Datum
BLOMVLEI SW 130074 VROULIK SP 0079238952 09-NOV-13

SW 130074

DNS: -

BLOMVLEI SW 130074 - SP P
 0079238952 - 09-NOV-13 4%

OEK - TKP -
 RI -
 Oud. / Kalwers 2j. 5md. / -
 Gem SI/Kalf: / 0
 KALWINGS -

BLOMVLEI SW 060039 - SP P
 0063613590 - 02-SEP-06 4%

BLOMVLEI SW 090049 - B -
 0069469526 - 04-OCT-09 2%

OEK 36.8 TKP 377
 RI 96 Gem SI/Kalf: 118 / 2
 Oud. / Kalwers 4j. 9md. / 2

MOTSWIRI AJB 020021 - B -
 0046814281 - 24-SEP-02 5%

- HT 990005 - SP -
 0044845857 - 16-MAY-99 2%

OEK - TKP 433
 RI 93 Gem SI/Kalf: 100 / 7
 Oud. / Kalwers 12j. 12md. / 7

MEGA M 030004 - SP P
 0048821201 - 23-FEB-03 10%

BLOMVLEI SW 070003 - A -
 0067874982 - 15-MAR-07 0%

OEK - TKP 432
 RI 101 Gem SI/Kalf: 106 / 4
 Oud. / Kalwers 9j. 1md. / 5

ZW BOOMERANG BG 950027 - SP -
 0043247139 - 04-NOV-95 3%

MOTSWIRI AJB 960101 - A -
 0042274480 - 10-OCT-96 0%

ZW BOOMERANG BG 950103 - SP -
 0044845451 - 25-NOV-95 4%

- HT 950030 - SP -
 0044845428 - 21-NOV-95 0%

ZW BOOMERANG BG 940025 - SP -
 0036749745 - 04-OCT-94 3%

ZW BOOMERANG BG 980107 - SP -
 0044845782 - 07-NOV-98 3%

PISIRI PS 020118 - SP -
 0047280979 - 24-SEP-02 11%

 --- -%

Seleksie waarde	KALF GEMAK ☆☆☆		MELK ☆☆☆		KALFGROEI ☆☆☆		ONDERHOUD ☆☆☆			GROEI TOETS					VRUGBAARHEID ☆☆☆			KOEI WAARDE ☆☆☆☆	GROEI WAARDE ☆☆☆	PRODUKSIE WAARDE ☆☆☆☆
	107 ₇₃	109 ₆₀	107 ₇₂	100 ₂₅									103 ₂₈							
Teeltwaarde index	Geb gew	Geb Mat	Melk	Speen gew	Naspeen	Volw. gewig	GDT	Kleiber	VOV	Lengte	Hoogte	SO	OEK	TKP	☆☆☆☆					
	104	120	109	107	106	100	114	119	-	110	108	109	109	101	121 ₄₅	109 ₂₃	115 ₄₁			
Teeltwaarde	.34 ₇₅	-.5 ₅₈	4.7 ₆₀	5.7 ₇₂	9.9 ₆₅	8 ₂₅	134 ₂₀	45 ₂₀	-	32 ₂₁	18 ₂₃	15.8 ₂₆	-9.5 ₄₁	-2.1 ₁₅	In Vitro					
Gewig/Index	25(6.7%)			174 (121)	180(124)	248(110)									Spoelings/Embrios/Kalwers: 0/0/0 Toetse: -					
Opmerkings: Loop by bul XY12-25 / SW10-18 om S2016 te kalf. Doen DNA															Inent. -					

LOT 108

0442495, S.A. WELZ, POSBUS 521695, SAXONWOLD, 2132, (T)011-447 2858



Name Ident. number Sex Section Reg. number Birth Date
BLOMVLEI SW 130076 FEMALE SP 0079238978 12-NOV-13

SW 130076

DNA: -

BLOMVLEI SW 130076 - SP P
 0079238978 - 12-NOV-13 4%

AFC - ICP -
 RI -
 Age / Calves 2j. 5md. / -
 Avg. Wt/Calv: / 0
 CALVINGS -

BLOMVLEI SW 060039 - SP P
 0063613590 - 02-SEP-06 4%

BLOMVLEI SW 090030 - SP -
 0069362879 - 13-SEP-09 4%

AFC 36.9 ICP 476
 RI 89 Avg. Wt/Calv: 104 / 3
 Age / Calves 6j. 7md. / 3

MOTSWIRI AJB 020021 - B -
 0046814281 - 24-SEP-02 5%

- HT 990005 - SP -
 0044845857 - 16-MAY-99 2%

AFC - ICP 433
 RI 93 Avg. Wt/Calv: 100 / 7
 Age / Calves 12j. 12md. / 7

MEGA M 030004 - SP P
 0048821201 - 23-FEB-03 10%

BLOMVLEI SW 060044 - B H
 0063613467 - 24-SEP-06 2%

AFC 35.6 ICP 388
 RI 101 Avg. Wt/Calv: 99 / 3
 Age / Calves 5j. 11md. / 3

ZW BOOMERANG BG 950027 - SP -
 0043247139 - 04-NOV-95 3%

MOTSWIRI AJB 960101 - A -
 0042274480 - 10-OCT-96 0%

ZW BOOMERANG BG 950103 - SP -
 0044845451 - 25-NOV-95 4%

- HT 950030 - SP -
 0044845428 - 21-NOV-95 0%

ZW BOOMERANG BG 940025 - SP -
 0036749745 - 04-OCT-94 3%

ZW BOOMERANG BG 980107 - SP -
 0044845782 - 07-NOV-98 3%

NONNIE CR 010015 - SP P
 0044826162 - 25-JUL-01 12%

BUROWILL ASE 990056 - A -
 0042514505 - 24-OCT-99 0%

Selection value	CALVING EASE ★★★		MILK ★★★★		CALF GRWTH. ★★★		MAINTENANCE ★★★★		GROWTH TEST					FERTILITY ★★★			COW VALUE ★★★	GROWTH VALUE ★★★	PRODUCTION VALUE ★★★
	103 ₇₃	110 ₆₁	96 ₇₂	106 ₂₅						96 ₃₀									
Birth wght	Birth Mat	Milk	Wean wght	Post wean	Mature wght	ADG	Kleiber	FCR	Length	Height	SC	AFC	ICP	In Vitro					
Breeding value index	101	109	110	96	100	94	106	112	-	101	98	102	107	94	108 ₄₆	104 ₂₂	106 ₄₁		
Breeding value	.53 ₇₅	-.15 ₅₈	5 ₆₁	2 ₇₂	6.4 ₆₅	2 ₂₅	109 ₁₈	37 ₁₈	-	24 ₁₉	11 ₂₁	12.4 ₂₄	-7.1 ₄₂	-4 ₁₇	In Vitro				
Weights/Index	29(7.5%)			163 (109)	161(105)	228 (99)		-	-	-	-	-	-	-	Flushings/Embrios/Calves: 0/0/0 Tests: -				
Remarks: Loop by bul XY12-25 / SW10-18 om S2016 te kalf. Doen DNA															Vacc. -				

LOT 109

0442495, S.A. WELZ, POSBUS 521695, SAXONWOLD, 2132, (T)011-447 2858



Naam Ident. nommer Geslag Afdeling Reg. nommer Geboorte Datum
BLOMVLEI SW 130087 VROULIK SP 0079243036 08-DEC-13

SW 130087

DNS: -

BLOMVLEI SW 130087 - SP P
 0079243036 - 08-DEC-13 3%

OEK - TKP -
 RI -
 Oud. / Kalwers 2j. 4md. / -
 Gem SI/Kalf: / 0
 KALWINGS -

BLOMVLEI SW 080043 - SP P
 0068334176 - 19-AUG-08 4%

BLOMVLEI SW 100058 - B P
 0071976849 - 07-NOV-10 1%

OEK 37 TKP 526
 RI 85 Gem SI/Kalf: 99 / 2
 Oud. / Kalwers 5j. 5md. / 2

NONNIE CR 010015 - SP P
 0044826162 - 25-JUL-01 12%

- LB 950058 - SP -
 0039643572 - 23-OCT-95 4%

OEK - TKP 481
 RI 91 Gem SI/Kalf: 111 / 8
 Oud. / Kalwers 15j. 3md. / 8

BLOMVLEI SW 060039 - SP P
 0063613590 - 02-SEP-06 4%

BUROWILL ASE 990056 - A -
 0042514505 - 24-OCT-99 0%

OEK 27.6 TKP 395
 RI 111 Gem SI/Kalf: 105 / 9
 Oud. / Kalwers 12j. 11md. / 10

NONNIE CR 960004 - SP -
 0036882744 - 29-JUL-96 7%

NONNIE CR 960001 - SP -
 0035540202 - 20-MAR-96 6%

ZW LEBAR LB9239 - - -
 0045056777 - 14-OCT-92 11%

- LB 870127 - SP -
 0046193637 - 23-NOV-87 0%

MOTSWIRI AJB 020021 - B -
 0046814281 - 24-SEP-02 5%

- HT 990005 - SP -
 0044845857 - 16-MAY-99 2%

- J 960107 - SP -
 0041181660 - 13-AUG-96 2%

BUROWILL ASE 960014 - BS -
 0042274266 - 01-OCT-96 0%

Seleksie waarde	KALF GEMAK ★★★		MELK ★★★★		KALFGROEI ★★★		ONDERHOUD ★★★★		GROEI TOETS					VRUGBAARHEID ★★★			KOEI WAARDE ★★★	GROEI WAARDE	PRODUKSIE WAARDE
	99 ₇₂	119 ₅₉	94 ₇₁	107 ₁₉						98 ₂₇									
Geb gew	Geb Mat	Melk	Speen gew	Naspeen	Volw. gewig	GDT	Kleiber	VOV	Lengte	Hoogte	SO	OEK	TKP	★★★					
Teeltwaarde index	97	115	119	94	96	93	100	103	-	98	99	101	102	98	110 ₄₃	-	-		
Teeltwaarde	.9 ₇₄	-.35 ₅₇	7.5 ₅₉	1.1 ₇₁	4.6 ₆₄	2 ₁₉	92 ₆	25 ₆	-	22 ₈	12 ₁₁	12.2 ₁₃	-3.5 ₃₈	-1.2 ₁₆	In Vitro				
Gewig/Index	30(7.5%)			151 (98)	147 (93)	200 (84)		-	-	-	-	-	-	-	Spoelings/Embrios/Kalwers: 0/0/0 Toetse: -				
Opmerkings: Loop by bul XY12-25 / SW13-05 om S2016 te kalf. Doen DNA															Inent. -				

LOT 110

0442495, S.A. WELZ, POSBUS 521695, SAXONWOLD, 2132, (T)011-447 2858



Name Ident. number Sex Section Reg. number Birth Date
BLOMVLEI SW 130091 FEMALE SP 0079243119 31-DEC-13

SW 130091

DNA: -

BLOMVLEI SW 130091 - SP P
 0079243119 - 31-DEC-13 5%

AFC - ICP -
 RI -
 Age / Calves 2j. 3md. / -
 Avg. Wt/Calv: / 0
 CALVINGS

LANGLYF R 050001 - SP -
 0061433397 - 09-FEB-05 5%

MABULA BEU 120041 - SP P
 0074845538 - 14-MAR-12 6%

AFC 21.6 ICP 553
 RI 116 Avg. Wt/Calv: / 0
 Age / Calves 4j. 1md. / 2

LANGLYF R 970031 - SP -
 0038552170 - 14-AUG-97 2%

LANGLYF AJR 940010 - SP -
 0032346058 - 05-AUG-94 3%

AFC 25.4 ICP 391
 RI 112 Avg. Wt/Calv: 106 / 13
 Age / Calves 18j. 10md. / 14

NONNIE CR 040044 - SP P
 0049082837 - 08-SEP-04 5%

MABULA BEU 070039 - SP P
 0064996259 - 20-JUL-07 7%

AFC 17.3 ICP 379
 RI 124 Avg. Wt/Calv: 104 / 3
 Age / Calves 7j. 1md. / 6

ZW BOOMERANG BG 920001 - SP -

0034054650 - 11-NOV-92 7%

LANGLYF AJR 900003 - SP -
 0022856686 - 30-JUN-90 1%

- J 872176 - SP -
 0027342435 - 30-AUG-87 4%

ZW BOOMERANG BG 850019 - SP -
 0018270603 - 11-OCT-85 1%

NONNIE CR 980030 - SP -
 0040477556 - 18-AUG-98 5%

NONNIE CR 970036 - SP -
 0038552279 - 23-AUG-97 4%

GENERAALSDRAAI H 010007 - SP -
 0045651866 - 10-JUL-01 5%

SIGIDI SIG 000029 - SP -
 0043925486 - 12-DEC-00 26%

Selection value	CALVING EASE		MILK		CALF GRWTH.		MAINTENANCE		GROWTH TEST					FERTILITY			COW VALUE	GROWTH VALUE	PRODUCTION VALUE			
	★★★	★★★	★★★	★★★	★★★	★★★	★★★	★★★	ADG	Kleiber	FCR	Length	Height	SC	AFC	ICP				★★★		
	107 ₇₅	94 ₅₃	88 ₅₆	108 ₂₈													123 ₃₅	★★★				
Birth wght	105	112	94	88	89	92	-	-	-	-	-	100	93	123	118			★★★				
Birth Mat	.26 ₇₆	-.24 ₆₂	.2 ₅₃	-1 ₅₆	.2 ₃₇	0 ₂₈	-	-	-	-	-	13 ₆	8.3 ₉	-22 ₄₆	-6.2 ₂₄							
Milk																						
Wean wght																						
Post wean																						
Mature wght																						
ADG																						
Kleiber																						
FCR																						
Length																						
Height																						
SC																						
AFC																						
ICP																						
Flushings/Embrios/Calves:																						0/0/0
Tests: -																						
Remarks:	Foutiewelik SW14-91 gebrand. Loop by HBH12-43 om S2016 te kalf																					
Vacc. -																						

LOT 111

0442495, S.A. WELZ, POSBUS 521695, SAXONWOLD, 2132, (T)011-447 2858



Naam Ident. nommer Geslag Afdeling Reg. nommer Geboorte Datum
BLOMVLEI SW 130033 VROULIK A 0083289157 01-FEB-13

SW 130033

DNS: -

BLOMVLEI SW 130033 - A -
 0083289157 - 01-FEB-13 -%

OEK - TKP -
 RI -
 Oud. / Kalwers 3j. 2md. / -
 Gem SI/Kalf: / 0
 KALWINGS

BLOMVLEI SW 090025 - SP P
 0068916790 - 08-JUN-09 4%

Gem SI/Kalf: -

MEGA M 030004 - SP P
 0048821201 - 23-FEB-03 10%

BLOMVLEI SW 960022 - SP -
 0037526936 - 21-DEC-96 10%

OEK 33.9 TKP 460
 RI 95 Gem SI/Kalf: 105 / 10
 Oud. / Kalwers 16j. 5md. / 11

Gem SI/Kalf: -

ZW BOOMERANG BG 940025 - SP -
 0036749745 - 04-OCT-94 3%

ZW BOOMERANG BG 980107 - SP -
 0044845782 - 07-NOV-98 3%

- J 922802 - SP -
 0033733973 - 26-JUN-92 11%

- J 921708 - SP -
 0033734088 - 19-JUL-92 10%

Seleksie waarde	KALF GEMAK		MELK	KALFGROEI	ONDERHOUD			GROEI TOETS					VRUGBAARHEID			KOEI WAARDE	GROEI WAARDE	PRODUKSIE WAARDE
	-	-	-	-	-	-	-	GDT	Kleiber	VOV	Lengte	Hoogte	SO	OEK	TKP			
Geb gew																		
Geb Mat																		
Melk																		
Speen gew																		
Naspeen																		
Volw. gewig																		
In Vitro																		
Spoelings/Embrios/Kalwers:																		
Toetse: -																		
Inent. -																		
Opmerkings:	Ma is TuliXAngus. Loop by XY12-25 / SW10-18 om S2016 te kalf. Doen DNA																	

LOT 112

0442495, S.A. WELZ, POSBUS 521695, SAXONWOLD, 2132, (T)011-447 2858



Name Ident. number Sex Section Reg. number Birth Date
BLOMVLEI SW 130018 FEMALE SP 0077999621 01-JUL-13

130018

DNA: -

BLOMVLEI SW 130018 - SP H
 0077999621 - 01-JUL-13 6%

AFC - ICP -
 RI -
 Age / Calves 2j. 9md. / -
 Avg. Wt/Calv: / 0
 CALVINGS -

BLOMVLEI SW 060039 - SP P
 0063613590 - 02-SEP-06 4%

ZW BOOMERANG BG 990093 - SP -
 0044846079 - 27-JAN-00 3%

AFC 38.1 ICP 416
 RI 100 Avg. Wt/Calv: 108 / 10
 Age / Calves 13j. 7md. / 10

MOTSWIRI AJB 020021 - B -
 0046814281 - 24-SEP-02 5%

- HT 990005 - SP -
 0044845857 - 16-MAY-99 2%

AFC - ICP 433
 RI 93 Avg. Wt/Calv: 100 / 7
 Age / Calves 12j. 12md. / 7

ZW BOOMERANG BG 850108 - SP -
 0022173868 - 17-DEC-85 9%

ZW BOOMERANG BG 860039 - SP -
 0044844504 - 04-DEC-86 0%

AFC 46.7 ICP 564
 RI 67 Avg. Wt/Calv: / 0
 Age / Calves 19j. 12md. / 7

ZW BOOMERANG BG 950027 - SP -
 0043247139 - 04-NOV-95 3%

MOTSWIRI AJB 960101 - A -
 0042274480 - 10-OCT-96 0%

ZW BOOMERANG BG 950103 - SP -
 0044845451 - 25-NOV-95 4%

- HT 950030 - SP -
 0044845428 - 21-NOV-95 0%

ZW GUYU GU 782187 - SP -
 0043293034 - 30-OCT-78 10%

ZW BOOMERANG BG 780147 - A -
 0044993228 - 30-SEP-78 4%

ZW BOOMERANG BG 760003 - SP -
 0043293026 - 17-OCT-76 0%

ZW BOOMERANG BG 810287 - SP -
 0044844298 - 13-NOV-81 0%

Selection value	CALVING EASE		MILK		CALF GRWTH.		MAINTENANCE		GROWTH TEST					FERTILITY			COW VALUE	GROWTH VALUE	PRODUCTION VALUE
	★★★	★★★	★★★	★★★	★★★	★★★						★★★	★★★	★★★					
	93 ₇₃	118 ₅₄	100 ₅₉	98 ₂₅									93 ₃₄	★★★	★★★	★★★			
Birth wght	94	118	100	100	102	115	118	-	110	108	116	94	94	106 ₄₃	110 ₂₄	109 ₃₉			
Birth Mat	93	118	100	100	102	115	118	-	110	108	116	94	94	106 ₄₃	110 ₂₄	109 ₃₉			
Milk	118	118	100	100	102	115	118	-	110	108	116	94	94	106 ₄₃	110 ₂₄	109 ₃₉			
Wean wght	100	118	100	100	102	115	118	-	110	108	116	94	94	106 ₄₃	110 ₂₄	109 ₃₉			
Post wean	100	118	100	100	102	115	118	-	110	108	116	94	94	106 ₄₃	110 ₂₄	109 ₃₉			
Mature wght	100	118	100	100	102	115	118	-	110	108	116	94	94	106 ₄₃	110 ₂₄	109 ₃₉			
ADG	115	118	100	100	102	115	118	-	110	108	116	94	94	106 ₄₃	110 ₂₄	109 ₃₉			
Kleiber	115	118	100	100	102	115	118	-	110	108	116	94	94	106 ₄₃	110 ₂₄	109 ₃₉			
FCR	115	118	100	100	102	115	118	-	110	108	116	94	94	106 ₄₃	110 ₂₄	109 ₃₉			
Length	115	118	100	100	102	115	118	-	110	108	116	94	94	106 ₄₃	110 ₂₄	109 ₃₉			
Height	115	118	100	100	102	115	118	-	110	108	116	94	94	106 ₄₃	110 ₂₄	109 ₃₉			
SC	115	118	100	100	102	115	118	-	110	108	116	94	94	106 ₄₃	110 ₂₄	109 ₃₉			
AFC	115	118	100	100	102	115	118	-	110	108	116	94	94	106 ₄₃	110 ₂₄	109 ₃₉			
ICP	115	118	100	100	102	115	118	-	110	108	116	94	94	106 ₄₃	110 ₂₄	109 ₃₉			
In Vitro	115	118	100	100	102	115	118	-	110	108	116	94	94	106 ₄₃	110 ₂₄	109 ₃₉			
Flushings/Embrios/Calves:	115	118	100	100	102	115	118	-	110	108	116	94	94	106 ₄₃	110 ₂₄	109 ₃₉			
Tests: -	115	118	100	100	102	115	118	-	110	108	116	94	94	106 ₄₃	110 ₂₄	109 ₃₉			
Remarks:	115	118	100	100	102	115	118	-	110	108	116	94	94	106 ₄₃	110 ₂₄	109 ₃₉			
Loop by Bul SW10-52 om S2016 te kalf.	115	118	100	100	102	115	118	-	110	108	116	94	94	106 ₄₃	110 ₂₄	109 ₃₉			
Vacc. -	115	118	100	100	102	115	118	-	110	108	116	94	94	106 ₄₃	110 ₂₄	109 ₃₉			

LOT 115

0442495, S.A. WELZ, POSBUS 521695, SAXONWOLD, 2132, (T)011-447 2858



Naam Ident. nommer Geslag Afdeling Reg. nommer Geboorte Datum
BLOMVLEI SW 140001 VROULIK SP 0079986279 10-MAY-14

SW 140001

DNS: -

BLOMVLEI SW 140001 - SP P
 0079986279 - 10-MAY-14 4%

OEK - TKP -
 RI -
 Oud. / Kalwers 1j. 11md. / -
 Gem SI/Kalf: / 0
 KALWINGS -

BLOMVLEI SW 060039 - SP P
 0063613590 - 02-SEP-06 4%

BLOMVLEI SW 020005 - SP -
 0045859642 - 17-MAR-02 6%

OEK 31.1 TKP 431
 RI 102 Gem SI/Kalf: 107 / 9
 Oud. / Kalwers 14j. 0md. / 10

MOTSWIRI AJB 020021 - B -
 0046814281 - 24-SEP-02 5%

- HT 990005 - SP -
 0044845857 - 16-MAY-99 2%

OEK - TKP 433
 RI 93 Gem SI/Kalf: 100 / 7
 Oud. / Kalwers 12j. 12md. / 7

- LB 950090 - SP -
 0038911681 - 01-NOV-95 6%

- DK 951462 - SP -
 0039643671 - 29-APR-95 5%

OEK - TKP 379
 RI 103 Gem SI/Kalf: 110 / 10
 Oud. / Kalwers 15j. 9md. / 10

ZW BOOMERANG BG 950027 - SP -
 0043247139 - 04-NOV-95 3%

MOTSWIRI AJB 960101 - A -
 0042274480 - 10-OCT-96 0%

ZW BOOMERANG BG 950103 - SP -
 0044845451 - 25-NOV-95 4%

- HT 950030 - SP -
 0044845428 - 21-NOV-95 0%

ZW LEBAR LB9239 - -
 0045056777 - 14-OCT-92 11%

ZW LEBAR LB90200 - -
 0045055910 - 03-DEC-90 0%

ZW BOOMERANG BG 790286 - A -
 0045059433 - 30-NOV-79 4%

- DK 921266 - SP -
 0046239109 - 16-SEP-92 14%

Seleksie waarde	KALF GEMAK		MELK		KALFGROEI		ONDERHOUD		GROEI TOETS					VRUGBAARHEID			KOEI WAARDE	GROEI WAARDE	PRODUKSIE WAARDE
	★★	★★	★★★	★★★	★★★	★★★						★★	★★	★★					
	86 ₇₄	112	118	116	119	107	120	116	-	122	114	115	110	85	113 ₄₆	116 ₂₃	117 ₄₁		
Geb gew	84	112	118	116	119	107	120	116	-	122	114	115	110	85	113 ₄₆	116 ₂₃	117 ₄₁		
Geb Mat	84	112	118	116	119	107	120	116	-	122	114	115	110	85	113 ₄₆	116 ₂₃	117 ₄₁		
Melk	118	112	118	116	119	107	120	116	-	122	114	115	110	85	113 ₄₆	116 ₂₃	117 ₄₁		
Speen gew	118	112	118	116	119	107	120	116	-	122	114	115	110	85	113 ₄₆	116 ₂₃	117 ₄₁		
Naspeen	118	112	118	116	119	107	120	116	-	122	114	115	110	85	113 ₄₆	116 ₂₃	117 ₄₁		
Volw. gewig	118	112	118	116	119	107	120	116	-	122	114	115	110	85	113 ₄₆	116 ₂₃	117 ₄₁		
GDT	118	112	118	116	119	107	120	116	-	122	114	115	110	85	113 ₄₆	116 ₂₃	117 ₄₁		
Kleiber	118	112	118	116	119	107	120	116	-	122	114	115	110	85	113 ₄₆	116 ₂₃	117 ₄₁		
VOV	118	112	118	116	119	107	120	116	-	122	114	115	110	85	113 ₄₆	116 ₂₃	117 ₄₁		
Lengte	118	112	118	116	119	107	120	116	-	122	114	115	110	85	113 ₄₆	116 ₂₃	117 ₄₁		
Hoogte	118	112	118	116	119	107	120	116	-	122	114	115	110	85	113 ₄₆	116 ₂₃	117 ₄₁		
SI	118	112	118	116	119	107	120	116	-	122	114	115	110	85	113 ₄₆	116 ₂₃	117 ₄₁		
OEK	118	112	118	116	119	107	120	116	-	122	114	115	110	85	113 ₄₆	116 ₂₃	117 ₄₁		
TKP	118	112	118	116	119	107	120	116	-	122	114	115	110	85	113 ₄₆	116 ₂₃	117 ₄₁		
In Vitro	118	112	118	116	119	107	120	116	-	122	114	115	110	85	113 ₄₆	116 ₂₃	117 ₄₁		
Spoolings/Embrios/Kalwers:	118	112	118	116	119	107	120	116	-	122	114	115	110	85	113 ₄₆	116 ₂₃	117 ₄₁		
Toetse: -	118	112	118	116	119	107	120	116	-	122	114	115	110	85	113 ₄₆	116 ₂₃	117 ₄₁		
Opmerkings:	118	112	118	116	119	107	120	116	-	122	114	115	110	85	113 ₄₆	116 ₂₃	117 ₄₁		
Loop by bul SW10-52 om S2016 te kalf	118	112	118	116	119	107	120	116	-	122	114	115	110	85	113 ₄₆	116 ₂₃	117 ₄₁		
Inent. -	118	112	118	116	119	107	120	116	-	122	114	115	110	85	113 ₄₆	116 ₂₃	117 ₄₁		

LOT 116

0442495, S.A. WELZ, POSBUS 521695, SAXONWOLD, 2132, (T)011-447 2858



Name Ident. number Sex Section Reg. number Birth Date
BLOMVLEI SW 140004 FEMALE SP 0079986287 26-MAY-14

SW 140004

DNA: -

BLOMVLEI SW 140004 - SP P
 0079986287 - 26-MAY-14 4%

AFC - ICP -
 RI -
 Age / Calves 1j. 10md. / -
 Avg. Wt/Calv: / 0
 CALVINGS -

BLOMVLEI SW 060039 - SP P
 0063613590 - 02-SEP-06 4%

BLOMVLEI SW 990043 - SP -
 0042742403 - 29-NOV-99 4%

AFC 33.2 ICP 444
 RI 98 Avg. Wt/Calv: 110 / 11
 Age / Calves 16j. 4md. / 11

MOTSWIRI AJB 020021 - B -
 0046814281 - 24-SEP-02 5%

- HT 990005 - SP -
 0044845857 - 16-MAY-99 2%

AFC - ICP 433
 RI 93 Avg. Wt/Calv: 100 / 7
 Age / Calves 12j. 12md. / 7

ZW BOOMERANG BG 920001 - SP -
 0034054650 - 11-NOV-92 7%

- DK 951462 - SP -
 0039643671 - 29-APR-95 5%

AFC - ICP 379
 RI 103 Avg. Wt/Calv: 110 / 10
 Age / Calves 15j. 9md. / 10

ZW BOOMERANG BG 950027 - SP -
 0043247139 - 04-NOV-95 3%

MOTSWIRI AJB 960101 - A -
 0042274480 - 10-OCT-96 0%

ZW BOOMERANG BG 950103 - SP -
 0044845451 - 25-NOV-95 4%

- HT 950030 - SP -
 0044845428 - 21-NOV-95 0%

ZW BOOMERANG BG 880076 - SP -
 0034072850 - 07-DEC-88 1%

ZW BOOMERANG BG 810332 - B -
 0034072868 - 29-DEC-81 0%

ZW BOOMERANG BG 790286 - A -
 0045059433 - 30-NOV-79 4%

- DK 921266 - SP -
 0046239109 - 16-SEP-92 14%

Selection value	CALVING EASE ★★		MILK ★★★★		CALF GRWTH. ★★★		MAINTENANCE ★★★		GROWTH TEST					FERTILITY ★★★			COW VALUE ★★★	GROWTH VALUE ★★★★	PRODUCTION VALUE ★★★★
	88 ₇₄	114 ₆₂	106 ₇₂	91 ₂₇						93 ₃₅									
Birth wght	Birth Mat	Milk	Wean wght	Post wean	Mature wght	ADG	Kleiber	FCR	Length	Height	SC	AFC	ICP	In Vitro					
Breeding value index	91	79	114	106	107	109	119	123	-	113	111	111	107	90	103 ₄₈	114 ₂₄	111 ₄₃		
Breeding value	1.31 ₇₆	.86 ₆₁	6.2 ₆₂	5.3 ₇₂	10.9 ₆₂	18 ₂₇	150 ₂₁	50 ₂₁	-	34 ₂₂	20 ₂₄	16.7 ₂₇	-7.3 ₄₇	.7 ₂₃	0/0/0				
Weights/Index	31(4.9%)			186 (104)	240(104)	303(108)									Tests: -				
Remarks: Loop by bul XY12-25 / SW10-18 om S2016 te kalf. Doen DNA																			
Vacc. -																			

LOT 117

0442495, S.A. WELZ, POSBUS 521695, SAXONWOLD, 2132, (T)011-447 2858



Naam Ident. nommer Geslag Afdeling Reg. nommer Geboorte Datum
BLOMVLEI SW 140005 VROULIK SP 0079986295 29-MAY-14

SW 140005

DNS: -

BLOMVLEI SW 140005 - SP P
 0079986295 - 29-MAY-14 4%

OEK - TKP -
 RI -
 Oud. / Kalwers 1j. 10md. / -
 Gem SI/Kalf: / 0
 KALWINGS -

BLOMVLEI SW 060039 - SP P
 0063613590 - 02-SEP-06 4%

BLOMVLEI SW 080025 - SP SC
 0066435637 - 11-MAY-08 5%

OEK 34.9 TKP 383
 RI 104 Gem SI/Kalf: 76 / 2
 Oud. / Kalwers 6j. 9md. / 4

MOTSWIRI AJB 020021 - B -
 0046814281 - 24-SEP-02 5%

- HT 990005 - SP -
 0044845857 - 16-MAY-99 2%

OEK - TKP 433
 RI 93 Gem SI/Kalf: 100 / 7
 Oud. / Kalwers 12j. 12md. / 7

PISIRI PS 020118 - SP -
 0047280979 - 24-SEP-02 11%

BLOMVLEI SW 050028 - SP P
 0060004926 - 09-MAY-05 2%

OEK 36.1 TKP 372
 RI 107 Gem SI/Kalf: 101 / 6
 Oud. / Kalwers 8j. 11md. / 6

ZW BOOMERANG BG 950027 - SP -
 0043247139 - 04-NOV-95 3%

MOTSWIRI AJB 960101 - A -
 0042274480 - 10-OCT-96 0%

ZW BOOMERANG BG 950103 - SP -
 0044845451 - 25-NOV-95 4%

- HT 950030 - SP -
 0044845428 - 21-NOV-95 0%

SIGIDI HKL 972004 - SP -
 0040707440 - 25-NOV-97 7%

LARYN JM 940042 - SP -
 0032701526 - 28-OCT-94 9%

BLOMVLEI SW 010040 - SP -
 0045340163 - 22-OCT-01 6%

BLOMVLEI SW 960001 - B -
 0037212651 - 18-OCT-96 0%

Seleksie waarde	KALF GEMAK ★★★		MELK ★★		KALFGROEI ★★★		ONDERHOUD ★★★		GROEI TOETS					VRUGBAARHEID ★★★			KOEI WAARDE ★★	GROEI WAARDE ★★★	PRODUKSIE WAARDE ★★★
	104 ₇₂	83 ₅₂	91 ₅₉	107 ₂₁						104 ₃₁									
Geb gew	Geb Mat	Melk	Speen gew	Naspeen	Volw. gewig	GDT	Kleiber	VOV	Lengte	Hoogte	SO	OEK	TKP	In Vitro					
Teeltwaarde index	101	120	83	91	88	93	99	107	-	98	100	103	101	104	85 ₄₁	97 ₂₆	91 ₃₈		
Teeltwaarde	.57 ₇₄	-.49 ₅₈	-3.2 ₅₂	.2 ₅₉	.2 ₅₃	2 ₂₁	90 ₂₂	30 ₂₂	-	22 ₂₄	13 ₂₆	13 ₂₈	-1.8 ₄₃	-2.9 ₁₉	0/0/0				
Gewig/Index	29(6%)			- (-)	276 (98)	276 (98)									Toetse: -				
Opmerkings: Loop by HBH12-43 om S2016 te kalf																			
Inent. -																			

LOT 118

0442495, S.A. WELZ, POSBUS 521695, SAXONWOLD, 2132, (T)011-447 2858



Name Ident. number Sex Section Reg. number Birth Date
BLOMVLEI SW 140007 FEMALE SP 0079986303 11-JUN-14

SW 140007

DNA: -

BLOMVLEI SW 140007 - SP P
 0079986303 - 11-JUN-14 6%

AFC - ICP -
 RI -
 Age / Calves 1j. 10md. / -
 Avg. Wt/Calf: / 0
 CALVINGS -

BLOMVLEI SW 060039 - SP P
 0063613590 - 02-SEP-06 4%

BLOMVLEI SW 040108 - SP P
 0049336605 - 10-NOV-04 7%

AFC 35.6 ICP 483
 RI 90 Avg. Wt/Calf: 101 / 5
 Age / Calves 10j. 3md. / 6

MOTSWIRI AJB 020021 - B -
 0046814281 - 24-SEP-02 5%

- HT 990005 - SP -
 0044845857 - 16-MAY-99 2%

AFC - ICP 433
 RI 93 Avg. Wt/Calf: 100 / 7
 Age / Calves 12j. 12md. / 7

BLOMVLEI SW 010040 - SP -
 0045340163 - 22-OCT-01 6%

ZW BOOMERANG BG 900025 - SP -
 0028628972 - 25-OCT-90 3%

AFC 36.4 ICP 404
 RI 104 Avg. Wt/Calf: 105 / 11
 Age / Calves 16j. 3md. / 12

ZW BOOMERANG BG 950027 - SP -
 0043247139 - 04-NOV-95 3%

MOTSWIRI AJB 960101 - A -
 0042274480 - 10-OCT-96 0%

ZW BOOMERANG BG 950103 - SP -
 0044845451 - 25-NOV-95 4%

- HT 950030 - SP -
 0044845428 - 21-NOV-95 0%

BLOMVLEI SW 950010 - SP -
 0034222281 - 06-AUG-95 7%

BLOMVLEI SW 950025 - SP -
 0034854802 - 03-DEC-95 25%

ZW BOOMERANG BG 850108 - SP -
 0022173868 - 17-DEC-85 9%

ZW BOOMERANG BG 860039 - SP -
 0044844504 - 04-DEC-86 0%

Selection value	CALVING EASE ★★		MILK ★★★★		CALF GRWTH. ★★★		MAINTENANCE ★★★★			GROWTH TEST					FERTILITY ★★			COW VALUE ★★	GROWTH VALUE ★★★	PRODUCTION VALUE ★★★
	84 ₇₃	114 ₆₁	90 ₇₁	117 ₂₄	ADG		Kleiber	FCR	Length	Height	SC	AFC	ICP	81 ₃₂						
Birth wght	84	95	114	90	92	83	100	107	-	96	97	102	95	81	89 ₄₆	97 ₂₂	93 ₄₁			
Birth Mat																				
Breeding value index	1.87 ₇₅	.32 ₅₉	6.2 ₆₁	-.3 ₇₁	2.1 ₆₀	-9 ₂₄	91 ₁₉	30 ₁₉	-	20 ₂₀	11 ₂₂	12.5 ₂₆	3.44	2.9 ₁₉	In Vitro					
Breeding value															Flushings/Embrios/Calves: 0/0/0					
Weights/Index	35(6.8%)			156 (81)	208 (86)	274 (95)									Tests: -					
Remarks:	Loop by bul XY12-25 / SW10-18 om S2016 te kalf. Doen DNA															Vacc. -				

LOT 119

0442495, S.A. WELZ, POSBUS 521695, SAXONWOLD, 2132, (T)011-447 2858



Naam Ident. nommer Geslag Afdeling Reg. nommer Geboorte Datum
BLOMVLEI SW 140009 VROULIK SP 0079986246 24-JUN-14

SW 140009

DNS: -

BLOMVLEI SW 140009 - SP P
 0079986246 - 24-JUN-14 3%

OEK - TKP -
 RI -
 Oud. / Kalwers 1j. 9md. / -
 Gem SI/Kalf: / 0
 KALWINGS -

BLOMVLEI SW 060039 - SP P
 0063613590 - 02-SEP-06 4%

BLOMVLEI SW 090047 - B -
 0069469500 - 03-OCT-09 0%

OEK 32.1 TKP 359
 RI 111 Gem SI/Kalf: 102 / 4
 Oud. / Kalwers 6j. 6md. / 4

MOTSWIRI AJB 020021 - B -
 0046814281 - 24-SEP-02 5%

- HT 990005 - SP -
 0044845857 - 16-MAY-99 2%

OEK - TKP 433
 RI 93 Gem SI/Kalf: 100 / 7
 Oud. / Kalwers 12j. 12md. / 7

MEGA M 030004 - SP P
 0048821201 - 23-FEB-03 10%

BLOMVLEI SW 940015 - A -
 0033721127 - 01-AUG-94 0%

OEK - TKP 369
 RI 115 Gem SI/Kalf: 106 / 14
 Oud. / Kalwers 18j. 2md. / 15

ZW BOOMERANG BG 950027 - SP -
 0043247139 - 04-NOV-95 3%

MOTSWIRI AJB 960101 - A -
 0042274480 - 10-OCT-96 0%

ZW BOOMERANG BG 950103 - SP -
 0044845451 - 25-NOV-95 4%

- HT 950030 - SP -
 0044845428 - 21-NOV-95 0%

ZW BOOMERANG BG 940025 - SP -
 0036749745 - 04-OCT-94 3%

ZW BOOMERANG BG 980107 - SP -
 0044845782 - 07-NOV-98 3%

---- -
 --- -%

---- -
 --- -%

Seleksie waarde	KALF GEMAK ★★★		MELK ★★★		KALFGROEI ★★★★		ONDERHOUD ★★★			GROEI TOETS					VRUGBAARHEID ★★★★			KOEI WAARDE ★★★★	GROEI WAARDE ★★★★	PRODUKSIE WAARDE ★★★★
	103 ₇₃	109 ₆₀	111 ₇₁	97 ₂₂	GDT		Kleiber	VOV	Lengte	Hoogte	SO	OEK	TKP	115 ₃₀						
Geb gew	100	118	109	111	109	103	119	121	-	116	107	113	111	113	124 ₄₅	115 ₂₄	121 ₄₁			
Geb Mat																				
Melk	.61 ₇₅	-.45 ₅₉	4.7 ₆₀	7.3 ₇₁	11.9 ₆₀	12.22	150 ₂₂	48 ₂₂	-	37 ₂₂	17 ₂₄	17.5 ₂₇	10.9 ₄₂	-5 ₁₈	In Vitro					
Speen gew															Spoelings/Embrios/Kalwers: 0/0/0					
Naspeen															Toetse: -					
Volw. gewig															Inent. -					
Opmerkings:	Loop by bul XY12-25 / SW10-18 om S2016 te kalf. Doen DNA																			

LOT 120

0442495, S.A. WELZ, POSBUS 521695, SAXONWOLD, 2132, (T)011-447 2858



Name Ident. number Sex Section Reg. number Birth Date
BLOMVLEI SW 140013 FEMALE SP 0079986253 09-JUL-14

SW 140013

DNA: -

BLOMVLEI SW 140013 - SP -
 0079986253 - 09-JUL-14 6%

AFC - ICP -
 RI -
 Age / Calves 1j. 9md. / -
 Avg. Wt/Calv: / 0
 CALVINGS -

BLOMVLEI SW 060039 - SP P
 0063613590 - 02-SEP-06 4%

ZW BOOMERANG BG 990101 - SP -
 0044846087 - 10-DEC-99 7%

AFC 35.3 ICP 419
 RI 102 Avg. Wt/Calv: 92 / 11
 Age / Calves 16j. 4md. / 12

MOTSWIRI AJB 020021 - B -
 0046814281 - 24-SEP-02 5%

- HT 990005 - SP -
 0044845857 - 16-MAY-99 2%

AFC - ICP 433
 RI 93 Avg. Wt/Calv: 100 / 7
 Age / Calves 12j. 12md. / 7

ZW BOOMERANG BG 930025 - SP -
 0037012291 - 12-NOV-93 4%

ZW BOOMERANG BG 890115 - SP -
 0044844918 - 05-JAN-90 3%

AFC 35.9 ICP 422
 RI 100 Avg. Wt/Calv: / 0
 Age / Calves 19j. 12md. / 7

ZW BOOMERANG BG 950027 - SP -
 0043247139 - 04-NOV-95 3%

MOTSWIRI AJB 960101 - A -
 0042274480 - 10-OCT-96 0%

ZW BOOMERANG BG 950103 - SP -
 0044845451 - 25-NOV-95 4%

- HT 950030 - SP -
 0044845428 - 21-NOV-95 0%

ZW BOOMERANG BG 840221 - SP -
 0043293091 - 17-NOV-84 2%

ZW BOOMERANG BG 830154 - SP -
 0039595921 - 08-NOV-83 2%

ZW GUYU GU 782187 - SP -
 0043293034 - 30-OCT-78 10%

ZW BOOMERANG BG 830100 - SP -
 0044844348 - 29-SEP-83 0%

Selection value	CALVING EASE ☆☆☆		MILK ☆☆☆		CALF GRWTH. ☆☆☆		MAINTENANCE ☆☆☆		GROWTH TEST					FERTILITY ☆☆☆			COW VALUE	GROWTH VALUE	PRODUCTION VALUE
	95 ₇₃	96 ₆₁	102 ₇₁	106 ₂₆						96 ₃₂									
Birth wght	Birth Mat	Milk	Wean wght	Post wean	Mature wght	ADG	Kleiber	FCR	Length	Height	SC	AFC	ICP	☆☆☆	☆☆☆	☆☆☆			
95	101	96	102	105	94	103	112	-	97	96	98	101	95	☆☆☆	☆☆☆	☆☆☆			
1.03 ₇₅	.13 ₅₉	.7 ₆₁	4.1 ₇₁	9.3 ₆₀	2 ₂₆	101 ₂₁	37 ₂₁	-	21 ₂₁	11 ₂₃	10.8 ₂₇	-2.3 ₄₅	-7 ₂₀	In Vitro					
Breeding value index														97 ₄₆	100 ₂₄	99 ₄₂			
Breeding value														Flushings/Embrios/Calves: 0/0/0					
Weights/Index														Tests: -					
30(6%)														169 (93) 247(108) 302(108)					
Remarks:														Vacc. -					
To be inspected again. Running with HBH12-43 to calve S2016																			

LOT 121

0442495, S.A. WELZ, POSBUS 521695, SAXONWOLD, 2132, (T)011-447 2858



Naam Ident. nommer Geslag Afdeling Reg. nommer Geboorte Datum
BLOMVLEI SW 140017 VROULIK A 0083289165 24-APR-14

SW 140017

DNS: -

BLOMVLEI SW 140017 - A -
 0083289165 - 24-APR-14 -%

OEK - TKP -
 RI -
 Oud. / Kalwers 1j. 11md. / -
 Gem SI/Kalf: / 0
 KALWINGS -

---- -
 --- -%
 --- -%

---- -
 --- -%
 --- -%

Gem SI/Kalf: -

---- -
 --- -%
 --- -%

---- -
 --- -%
 --- -%

Gem SI/Kalf: -

---- -
 --- -%
 --- -%

Gem SI/Kalf: -

---- -
 --- -%

---- -
 --- -%

---- -
 --- -%

---- -
 --- -%

---- -
 --- -%

Seleksie waarde	KALF GEMAK		MELK	KALFGROEI	ONDERHOUD			GROEI TOETS					VRUGBAARHEID			KOEI WAARDE	GROEI WAARDE	PRODUKSIE WAARDE
	-	-	-	-	-	-	-	GDT	Kleiber	VOV	Lengte	Hoogte	SO	OEK	TKP			
Geb gew	Geb Mat	Melk	Speen gew	Naspeen	Volw. gewig	-	-	-	-	-	-	-	-	-	-	-		
-	-	-	-	-	-	-	-	-	-	-	-	-	-	-	-	-		
Teeltwaarde index														In Vitro				
Teeltwaarde														Spoelings/Embrios/Kalwers: 0/0/0				
Gewig/Indexe														Toetse: -				
27														-				
Opmerkings:														Inent. -				
First acceptance A calf. DNA to confirm sire, otherwise Commercial. Running with HBH12-43 to calve S2016																		

LOT 122

0442495, S.A. WELZ, POSBUS 521695, SAXONWOLD, 2132, (T)011-447 2858



Name Ident. number Sex Section Reg. number Birth Date
BLOMVLEI SW 140018 FEMALE SP 0079986329 23-JUL-14

SW 140018

DNA: -

BLOMVLEI SW 140018 - SP P
 0079986329 - 23-JUL-14 5%

AFC - ICP -
 RI -
 Age / Calves 1j. 8md. / -
 Avg. Wt/Calv: / 0
 CALVINGS -

BLOMVLEI SW 060039 - SP P
 0063613590 - 02-SEP-06 4%

BLOMVLEI SW 040123 - SP H
 0049625304 - 02-DEC-04 5%

AFC 33.4 ICP 404
 RI 105 Avg. Wt/Calv: 110 / 8
 Age / Calves 11j. 4md. / 8

MOTSWIRI AJB 020021 - B -
 0046814281 - 24-SEP-02 5%

- HT 990005 - SP -
 0044845857 - 16-MAY-99 2%

AFC - ICP 433
 RI 93 Avg. Wt/Calv: 100 / 7
 Age / Calves 12j. 12md. / 7

- ELK 940506 - SP -
 0041181876 - 04-AUG-94 12%

ZW BOOMERANG BG 900039 - SP -
 0028628998 - 11-OCT-90 1%

AFC 36.4 ICP 374
 RI 110 Avg. Wt/Calv: 102 / 15
 Age / Calves 19j. 6md. / 15

ZW BOOMERANG BG 950027 - SP -
 0043247139 - 04-NOV-95 3%

MOTSWIRI AJB 960101 - A -
 0042274480 - 10-OCT-96 0%

ZW BOOMERANG BG 950103 - SP -
 0044845451 - 25-NOV-95 4%

- HT 950030 - SP -
 0044845428 - 21-NOV-95 0%

ZW BOOMERANG BG 850108 - SP -
 0022173868 - 17-DEC-85 9%

JAMBO J891331 - - -
 0045069705 - 03-SEP-89 13%

ZW BOOMERANG BG 810027 - SP -
 0043568757 - 17-SEP-81 0%

ZW BOOMERANG BG 840132 - SP -
 0046166294 - 06-OCT-84 14%

Selection value	CALVING EASE ☆☆☆		MILK ☆☆☆☆		CALF GRWTH. ☆☆☆☆		MAINTENANCE ☆☆☆		GROWTH TEST					FERTILITY ☆☆☆			COW VALUE ☆☆☆☆	GROWTH VALUE ☆☆☆	PRODUCTION VALUE ☆☆☆☆
	96 ₇₄	112 ₆₂	110 ₇₂	92 ₂₇						98 ₃₃									
Breeding value index	Birth wght	Birth Mat	Milk	Wean wght	Post wean	Mature wght	ADG	Kleiber	FCR	Length	Height	SC	AFC	ICP	In Vitro				
Breeding value	93	121	112	110	110	108	112	111	-	110	104	122	103	98	114 ₄₇	106 ₂₆	110 ₄₃		
Weights/Index	1.17 ₇₅	-.53 ₆₀	5.4 ₆₂	7 ₇₂	12.5 ₆₁	17 ₂₇	127 ₂₃	35 ₂₃	-	32 ₂₅	15 ₂₈	21.4 ₃₀	-3.9 ₄₆	-1.2 ₂₀	Flushings/Embrios/Calves: 0/0/0 Tests: -				
Remarks: Besondere vers uit uitstaande moederlyne. Loop by HBH12-43 om S2016 te kalf																			
															Vacc. -				

LOT 123

0442495, S.A. WELZ, POSBUS 521695, SAXONWOLD, 2132, (T)011-447 2858



Naam Ident. nommer Geslag Afdeling Reg. nommer Geboorte Datum
BLOMVLEI SW 140019 VROULIK SP 0079986337 07-AUG-14

SW 140019

DNS: -

BLOMVLEI SW 140019 - SP P
 0079986337 - 07-AUG-14 5%

OEK - TKP -
 RI -
 Oud. / Kalwers 1j. 8md. / -
 Gem SI/Kalf: / 0
 KALWINGS -

BLOMVLEI SW 060039 - SP P
 0063613590 - 02-SEP-06 4%

BLOMVLEI SW 110012 - SP P
 0073313538 - 07-MAY-11 7%

OEK 39 TKP -
 RI 82 Gem SI/Kalf: 113 / 1
 Oud. / Kalwers 4j. 11md. / 1

MOTSWIRI AJB 020021 - B -
 0046814281 - 24-SEP-02 5%

- HT 990005 - SP -
 0044845857 - 16-MAY-99 2%

OEK - TKP 433
 RI 93 Gem SI/Kalf: 100 / 7
 Oud. / Kalwers 12j. 12md. / 7

BLOMVLEI SW 080008 - SP P
 0066297607 - 15-APR-08 6%

BLOMVLEI SW 050043 - SP P
 0061205282 - 15-JUN-05 6%

OEK 36.6 TKP 487
 RI 88 Gem SI/Kalf: 104 / 4
 Oud. / Kalwers 9j. 1md. / 5

ZW BOOMERANG BG 950027 - SP -
 0043247139 - 04-NOV-95 3%

MOTSWIRI AJB 960101 - A -
 0042274480 - 10-OCT-96 0%

ZW BOOMERANG BG 950103 - SP -
 0044845451 - 25-NOV-95 4%

- HT 950030 - SP -
 0044845428 - 21-NOV-95 0%

PISIRI PS 020118 - SP -
 0047280979 - 24-SEP-02 11%

ZW BOOMERANG BG 990101 - SP -
 0044846087 - 10-DEC-99 7%

BLOMVLEI SW 010040 - SP -
 0045340163 - 22-OCT-01 6%

ZW BOOMERANG BG 990153 - SP -
 0044846160 - 25-JAN-00 3%

Seleksie waarde	KALF GEMAK ☆☆		MELK ☆☆☆		KALFGROEI ☆☆☆☆		ONDERHOUD ☆☆☆☆		GROEI TOETS					VRUGBAARHEID ☆☆☆			KOEI WAARDE ☆☆	GROEI WAARDE -	PRODUKSIE WAARDE -
	88 ₇₂	99 ₅₉	112 ₇₀	114 ₂₁						96 ₂₇									
Teeltwaarde index	Geb gew	Geb Mat	Melk	Speen gew	Naspeen	Volw. gewig	GDT	Kleiber	VOV	Lengte	Hoogte	SO	OEK	TKP	In Vitro				
Teeltwaarde	87	108	99	112	110	86	110	114	-	108	107	110	94	98	105 ₄₃	-	-		
Gewig/Indeks	1.68 ₇₄	-.09 ₅₇	1.7 ₅₉	7.7 ₇₀	12.4 ₅₈	-6 ₂₁	122 ₁₆	39 ₁₆	-	30 ₁₆	17 ₁₉	16.6 ₂₃	3.7 ₄₂	-1.3 ₁₂	Spoelings/Embrios/Kalwers: 0/0/0 Toetse: -				
Opmerkings: Uitsonderlike indekse																			
															Inent. -				

LOT 126

0442495, S.A. WELZ, POSBUS 521695, SAXONWOLD, 2132, (T)011-447 2858



Name Ident. number Sex Section Reg. number Birth Date
BLOMVLEI SW 140025 FEMALE SP 0080713597 27-AUG-14

SW 140025

DNA: -

BLOMVLEI SW 140025 - SP P
 0080713597 - 27-AUG-14 3%

AFC - ICP -
 RI -
 Age / Calves 1j. 7md. / -
 Avg. Wt/Calv: / 0
 CALVINGS -

BLOMVLEI SW 060039 - SP P
 0063613590 - 02-SEP-06 4%

BLOMVLEI SW 110009 - SP P
 0073313504 - 28-APR-11 2%

AFC 40 ICP -
 RI 79 Avg. Wt/Calv: 106 / 1
 Age / Calves 4j. 11md. / 1

MOTSWIRI AJB 020021 - B -
 0046814281 - 24-SEP-02 5%

- HT 990005 - SP -
 0044845857 - 16-MAY-99 2%

AFC - ICP 433
 RI 93 Avg. Wt/Calv: 100 / 7
 Age / Calves 12j. 12md. / 7

BLOMVLEI SW 070050 - B P
 0065616161 - 22-SEP-07 1%

BLOMVLEI SW 040087 - SP P
 0049336407 - 23-OCT-04 3%

AFC 35.9 ICP 399
 RI 104 Avg. Wt/Calv: 96 / 8
 Age / Calves 11j. 5md. / 8

ZW BOOMERANG BG 950027 - SP -
 0043247139 - 04-NOV-95 3%

MOTSWIRI AJB 960101 - A -
 0042274480 - 10-OCT-96 0%

ZW BOOMERANG BG 950103 - SP -
 0044845451 - 25-NOV-95 4%

- HT 950030 - SP -
 0044845428 - 21-NOV-95 0%

MEGA M 040002 - SP P
 0048821524 - 14-MAR-04 5%

BLOMVLEI SW 040075 - A H
 0049135528 - 07-OCT-04 0%

BLOMVLEI SW 010040 - SP -
 0045340163 - 22-OCT-01 6%

- LZ 970062 - SP -
 0042955435 - 21-OCT-97 1%

Selection value	CALVING EASE		MILK		CALF GRWTH.		MAINTENANCE			GROWTH TEST					FERTILITY			COW VALUE	GROWTH VALUE	PRODUCTION VALUE
	☆☆☆	☆☆☆	☆☆☆	☆☆☆	☆☆☆	☆☆☆	ADG	Kleiber	FCR	Length	Height	SC	AFC	ICP	☆☆	☆☆	☆☆			
	99 ⁷²	106 ⁵⁹	95 ⁷⁰	117 ²¹											84 ²⁸	101 ⁴³	103 ²²	103 ³⁹		
Birth wght	Birth Mat	Milk	Wean wght	Post wean	Mature wght															
97	111	106	95	96	83	106	115	-	101	99	103	88	86							
.87 ⁷⁴	-.21 ⁵⁷	3.8 ⁵⁹	1.5 ⁷⁰	4.6 ⁵⁸	-9 ²¹	110 ¹⁹	40 ¹⁹	-	25 ¹⁹	12 ²¹	12.8 ²⁴	9.1 ⁴²	1.7 ¹⁴							
28(7%)			171 (106)	185 (93)	282 (98)															
Remarks:															In Vitro			Flushings/Embrios/Calves: 0/0/0		
															Tests: -			Vacc. -		

LOT 127

0442495, S.A. WELZ, POSBUS 521695, SAXONWOLD, 2132, (T)011-447 2858



Naam Ident. nommer Geslag Afdeling Reg. nommer Geboorte Datum
BLOMVLEI SW 140039 VROULIK B 0083285080 24-OCT-14

SW 140039

DNS: -

BLOMVLEI SW 140039 - B P
 0083285080 - 24-OCT-14 -%

OEK - TKP -
 RI -
 Oud. / Kalwers 1j. 5md. / -
 Gem SI/Kalf: / 0
 KALWINGS -

BLOMVLEI SW 100052 - SP P
 0071976781 - 03-NOV-10 4%

BLOMVLEI SW 110049 - A -
 0081701963 - 22-OCT-11 0%

OEK - TKP 386
 RI 111 Gem SI/Kalf: / 0
 Oud. / Kalwers 4j. 5md. / 2

BLOMVLEI SW 070050 - B P
 0065616161 - 22-SEP-07 1%

BLOMVLEI SW 050015 - SP P
 0060017902 - 10-APR-05 5%

OEK 36 TKP 430
 RI 97 Gem SI/Kalf: 99 / 4
 Oud. / Kalwers 7j. 6md. / 4

BLOMVLEI SW 060039 - SP P
 0063613590 - 02-SEP-06 4%

 --- -%
 --- -%
 --- -%

Gem SI/Kalf: -

MEGA M 040002 - SP P
 0048821524 - 14-MAR-04 5%

BLOMVLEI SW 040075 - A H
 0049135528 - 07-OCT-04 0%

NONNIE CR 010015 - SP P
 0044826162 - 25-JUL-01 12%

BLOMVLEI SW 960004 - SP -
 0037212685 - 25-OCT-96 3%

MOTSWIRI AJB 020021 - B -
 0046814281 - 24-SEP-02 5%

- HT 990005 - SP -
 0044845857 - 16-MAY-99 2%

 --- -%
 --- -%
 --- -%

Seleksie waarde	KALF GEMAK		MELK	KALFGROEI			ONDERHOUD			GROEI TOETS					VRUGBAARHEID			KOEI WAARDE	GROEI WAARDE	PRODUKSIE WAARDE
	-	-	-	-	-	-	GDT	Kleiber	VOV	Lengte	Hoogte	SO	OEK	TKP	-	-	-			
Geb gew	Geb Mat	Melk	Speen gew	Naspeen	Volw. gewig															
-	-	-	-	-	-	-	-	-	-	-	-	-	-	-	-	-	-			
27(7.7%)			- (-)	- (-)	- (-)															
Opmerkings:															In Vitro			Spoelings/Embrios/Kalwers: 0/0/0		
															Toetse: -			Inent. -		

LOT 128

0442495, S.A. WELZ, POSBUS 521695, SAXONWOLD, 2132, (T)011-447 2858



Name Ident. number Sex Section Reg. number Birth Date
BLOMVLEI SW 140029 FEMALE SP 0080713647 18-OCT-14

SW 140029

DNA: -

BLOMVLEI SW 140029 - SP H
 0080713647 - 18-OCT-14 6%

AFC - ICP -
 RI -
 Age / Calves 1j. 5md. / -
 Avg. Wt/Calv: / 0
 CALVINGS -

BLOMVLEI SW 080043 - SP P
 0068334176 - 19-AUG-08 4%

BLOMVLEI SW 110043 - SP SC
 0074522517 - 17-OCT-11 5%

AFC 36 ICP -
 RI 91 Avg. Wt/Calv: 114 / 1
 Age / Calves 4j. 5md. / 1

NONNIE CR 010015 - SP P
 0044826162 - 25-JUL-01 12%

- LB 950058 - SP -
 0039643572 - 23-OCT-95 4%

AFC - ICP 481
 RI 91 Avg. Wt/Calv: 111 / 8
 Age / Calves 15j. 3md. / 8

BLOMVLEI SW 060039 - SP P
 0063613590 - 02-SEP-06 4%

BLOMVLEI SW 080049 - SP P
 0067146233 - 16-SEP-08 10%

AFC 37 ICP 439
 RI 94 Avg. Wt/Calv: 98 / 4
 Age / Calves 7j. 7md. / 4

NONNIE CR 960004 - SP -
 0036882744 - 29-JUL-96 7%

NONNIE CR 960001 - SP -
 0035540202 - 20-MAR-96 6%

ZW LEBAR LB9239 - - -
 0045056777 - 14-OCT-92 11%

- LB 870127 - SP -
 0046193637 - 23-NOV-87 0%

MOTSWIRI AJB 020021 - B -
 0046814281 - 24-SEP-02 5%

- HT 990005 - SP -
 0044845857 - 16-MAY-99 2%

PULU PT 010037 - SP -
 0045340189 - 22-OCT-01 10%

BLOMVLEI SW 030012 - SP -
 0047197736 - 30-APR-03 8%

Selection value	CALVING EASE ★★		MILK ★★★★☆		CALF GRWTH ★★★★☆		MAINTENANCE ★★★★		GROWTH TEST					FERTILITY ★★★			COW VALUE ★★★★	GROWTH VALUE	PRODUCTION VALUE
	88 ⁷²	112 ⁵⁹	116 ⁷¹	106 ¹⁹						106 ²⁶									
Breeding value index	Birth wght	Birth Mat	Milk	Wean wght	Post wean	Mature wght	ADG	Kleiber	FCR	Length	Height	SC	AFC	ICP	In Vitro				
Breeding value	86	114	112	116	117	94	-	-	-	-	104	110	108	104	★★★				
Weights/Index	1.75 ⁷⁴	-0.3 ⁵⁷	5.5 ⁵⁹	8.9 ⁷¹	16.2 ⁵⁷	2 ¹⁹	-	-	-	-	15 ⁶	16.3 ¹²	-8.5 ³⁸	-2.8 ¹³	0/0/0				
Remarks:	-														Vacc. -				

LOT 129

0442495, S.A. WELZ, POSBUS 521695, SAXONWOLD, 2132, (T)011-447 2858



Naam Ident. nommer Geslag Afdeling Reg. nommer Geboorte Datum
BLOMVLEI SW 140031 VROULIK SP 0080713662 19-OCT-14

SW 140031

DNS: P3647/15

BLOMVLEI SW 140031 - SP -
 0080713662 - 19-OCT-14 5%

OEK - TKP -
 RI -
 Oud. / Kalwers 1j. 5md. / -
 Gem SI/Kalf: / 0
 KALWINGS -

BLOMVLEI SW 090023 - SP SC
 0068916774 - 03-JUN-09 5%

BLOMVLEI SW 090039 - SP -
 0069362952 - 26-SEP-09 5%

OEK 36.6 TKP 371
 RI 104 Gem SI/Kalf: 94 / 3
 Oud. / Kalwers 6j. 6md. / 4

HBH HBH 030739 - B PP
 0048040240 - 10-OCT-03 4%

BLOMVLEI SW 050028 - SP P
 0060004926 - 09-MAY-05 2%

OEK 36.1 TKP 372
 RI 107 Gem SI/Kalf: 101 / 6
 Oud. / Kalwers 8j. 11md. / 6

MEGA M 030004 - SP P
 0048821201 - 23-FEB-03 10%

BLOMVLEI SW 980044 - SP -
 0041007907 - 31-OCT-98 5%

OEK 34.9 TKP 409
 RI 104 Gem SI/Kalf: 107 / 10
 Oud. / Kalwers 13j. 11md. / 10

ZW BOOMERANG BG 960053 - SP -
 0043293216 - 10-NOV-96 4%

HBH HBH 950103 - A -
 0035200708 - 27-OCT-95 6%

BLOMVLEI SW 010040 - SP -
 0045340163 - 22-OCT-01 6%

BLOMVLEI SW 960001 - B -
 0037212651 - 18-OCT-96 0%

ZW BOOMERANG BG 940025 - SP -
 0036749745 - 04-OCT-94 3%

ZW BOOMERANG BG 980107 - SP -
 0044845782 - 07-NOV-98 3%

- LB 950090 - SP -
 0038911681 - 01-NOV-95 6%

BLOMVLEI SW 940006 - SP -
 0032407827 - 22-SEP-94 6%

Seleksie waarde	KALF GEMAK ★★★★		MELK ★★★		KALFGROEI ★★★		ONDERHOUD ★★★		GROEI TOETS					VRUGBAARHEID ★★★			KOEI WAARDE ★★★	GROEI WAARDE	PRODUKSIE WAARDE
	117 ⁷²	94 ⁵⁶	94 ⁶⁹	95 ²²						99 ²⁴									
Teeltwaarde index	Geb gew	Geb Mat	Melk	Speen gew	Naspeen	Volw. gewig	GDT	Kleiber	VOV	Lengte	Hoogte	SO	OEK	TKP	★★★				
Teeltwaarde	114	116	94	94	97	105	91	91	-	95	99	92	106	98	102 ⁴¹				
Gewig/Index	-0.48 ⁷⁴	-0.37 ⁵⁴	0 ⁵⁶	1.3 ⁶⁹	5 ⁵³	14 ²²	65 ¹¹	10 ¹¹	-	20 ¹⁶	13 ¹⁸	8 ¹⁸	-6.8 ³⁴	-1.2 ¹⁵	In Vitro				
Opmerkings:	-														Spoelings/Embrios/Kalwers: 0/0/0 Toetse: - Inent. -				

LOT 130

0442495, S.A. WELZ, POSBUS 521695, SAXONWOLD, 2132, (T)011-447 2858



Name Ident. number Sex Section Reg. number Birth Date
BLOMVLEI SW 140032 FEMALE SP 0080713670 20-OCT-14

SW 140032

DNA: P3649/15

BLOMVLEI SW 140032 - SP P
 0080713670 - 20-OCT-14 3%
 AFC - ICP -
 RI -
 Age / Calves 1j. 5md. / -
 Avg. Wt/Calv: / 0
 CALVINGS -

BLOMVLEI SW 080043 - SP P
 0068334176 - 19-AUG-08 4%

BLOMVLEI SW 110067 - B P
 0074522459 - 05-NOV-11 15%

AFC 35.5 ICP 399
 RI 97 Avg. Wt/Calv: 106 / 1
 Age / Calves 4j. 5md. / 2

NONNIE CR 010015 - SP P
 0044826162 - 25-JUL-01 12%

- LB 950058 - SP -
 0039643572 - 23-OCT-95 4%

AFC - ICP 481
 RI 91 Avg. Wt/Calv: 111 / 8
 Age / Calves 15j. 3md. / 8

BLOMVLEI SW 070044 - SP SC
 0065591075 - 02-SEP-07 7%

BLOMVLEI SW 080014 - A -
 0072057813 - 28-APR-08 0%

AFC - ICP 363
 RI 117 Avg. Wt/Calv: 101 / 3
 Age / Calves 7j. 11md. / 3

NONNIE CR 960004 - SP -
 0036882744 - 29-JUL-96 7%
NONNIE CR 960001 - SP -
 0035540202 - 20-MAR-96 6%
ZW LEBAR LB9239 - -
 0045056777 - 14-OCT-92 11%
- LB 870127 - SP -
 0046193637 - 23-NOV-87 0%
MEGA M 040002 - SP P
 0048821524 - 14-MAR-04 5%
ZW BOOMERANG BG 900039 - SP -
 0028628998 - 11-OCT-90 1%
MEGA M 040002 - SP P
 0048821524 - 14-MAR-04 5%
 - - - -
 - - - - -9%

Selection value	CALVING EASE ★★★★		MILK ★★★		CALF GRWTH. ★★★		MAINTENANCE ★★★★			GROWTH TEST					FERTILITY ★★★			COW VALUE ★★★★	GROWTH VALUE	PRODUCTION VALUE			
	118 ₇₂	107 ₅₈	99 ₇₀	110 ₁₇									105 ₂₃										
Birth wght	Birth Mat	Milk	Wean wght	Post wean	Mature wght	ADG	Kleiber	FCR	Length	Height	SC	AFC	ICP	In Vitro									
114	125	107	99	93	90	-	-	-	-	-	-	113	102	124 ₄₀			-	-					
-0.48 ₇₄	-0.69 ₅₇	4 ₅₈	3 ₇₀	3 ₅₆	-2 ₁₇	-	-	-	-	-	-	-12.6 ₃₈	-2.3 ₁₀	Flushings/Embrios/Calves: 0/0/0			-	-					
Remarks:														Tests: -					Vacc. -				

LOT 131

0442495, S.A. WELZ, POSBUS 521695, SAXONWOLD, 2132, (T)011-447 2858



Naam Ident. nommer Geslag Afdeling Reg. nommer Geboorte Datum
BLOMVLEI SW 140033 VROULIK SP 0080713688 20-OCT-14

SW 140033

DNS: -

BLOMVLEI SW 140033 - SP P
 0080713688 - 20-OCT-14 6%
 OEK - TKP -
 RI -
 Oud. / Kalwers 1j. 5md. / -
 Gem SI/Kalf: / 0
 KALWINGS -

BLOMVLEI SW 090023 - SP SC
 0068916774 - 03-JUN-09 5%

BLOMVLEI SW 110085 - SP H
 0074522723 - 21-NOV-11 6%

OEK 35 TKP 383
 RI 99 Gem SI/Kalf: 103 / 1
 Oud. / Kalwers 4j. 4md. / 2

HBH HBH 030739 - B PP
 0048040240 - 10-OCT-03 4%

BLOMVLEI SW 050028 - SP P
 0060004926 - 09-MAY-05 2%

OEK 36.1 TKP 372
 RI 107 Gem SI/Kalf: 101 / 6
 Oud. / Kalwers 8j. 11md. / 6

BLOMVLEI SW 060039 - SP P
 0063613590 - 02-SEP-06 4%

BLOMVLEI SW 040079 - SP H
 0049336324 - 11-OCT-04 4%

OEK 34.8 TKP 385
 RI 105 Gem SI/Kalf: 98 / 5
 Oud. / Kalwers 7j. 12md. / 5

ZW BOOMERANG BG 960053 - SP -
 0043293216 - 10-NOV-96 4%
HBH HBH 950103 - A -
 0035200708 - 27-OCT-95 6%
BLOMVLEI SW 010040 - SP -
 0045340163 - 22-OCT-01 6%
BLOMVLEI SW 960001 - B -
 0037212651 - 18-OCT-96 0%
MOTSWIRI AJB 020021 - B -
 0046814281 - 24-SEP-02 5%
- HT 990005 - SP -
 0044845857 - 16-MAY-99 2%
- ELK 940506 - SP -
 0041181876 - 04-AUG-94 12%
ZW BOOMERANG BG 900007 - SP -
 0028628956 - 12-OCT-90 1%

Seleksie waarde	KALF GEMAK ★★★★		MELK ★★★		KALFGROEI ★★★		ONDERHOUD ★★★			GROEI TOETS					VRUGBAARHEID ★★★			KOEI WAARDE ★★★★	GROEI WAARDE	PRODUKSIE WAARDE			
	128 ₇₁	95 ₅₈	91 ₆₉	109 ₂₀									100 ₂₄										
Geb gew	Geb Mat	Melk	Speen gew	Naspeen	Volw. gewig	GDT	Kleiber	VOV	Lengte	Hoogte	SO	OEK	TKP	★★★★									
125	117	95	91	96	91	97	99	-	99	102	103	109	97	115 ₄₁			-	-					
-1.36 ₇₃	-0.42 ₅₄	0.5 ₅₈	0.2 ₆₉	4.5 ₅₂	-1.20	82 ₉	20 ₉	-	22 ₁₃	14 ₁₆	13 ₁₇	-9.3 ₃₅	-1.1 ₁₂	In Vitro			-	-					
Opmerkings:														Spoelings/Embrios/Kalwers: 0/0/0					Toetse: -				
														Inent. -									

LOT 132

0442495, S.A. WELZ, POSBUS 521695, SAXONWOLD, 2132, (T)011-447 2858



Name Ident. number Sex Section Reg. number Birth Date
BLOMVLEI SW 140043 FEMALE SP 0080713720 30-OCT-14

SW 140043

DNA: -

BLOMVLEI SW 140043 - SP P
 0080713720 - 30-OCT-14 4%

AFC - ICP -
 RI -
 Age / Calves 1j. 5md. / -
 Avg. Wt/Calv: / 0
 CALVINGS -

BLOMVLEI SW 060039 - SP P
 0063613590 - 02-SEP-06 4%

BLOMVLEI SW 090073 - B -
 0069593226 - 25-OCT-09 4%

AFC 35.4 ICP 377
 RI 104 Avg. Wt/Calv: 88 / 3
 Age / Calves 6j. 5md. / 4

MOTSWIRI AJB 020021 - B -
 0046814281 - 24-SEP-02 5%

- HT 990005 - SP -
 0044845857 - 16-MAY-99 2%

AFC - ICP 433
 RI 93 Avg. Wt/Calv: 100 / 7
 Age / Calves 12j. 12md. / 7

NONNIE CR 010015 - SP P
 0044826162 - 25-JUL-01 12%

BLOMVLEI SW 040005 - A -
 0048348924 - 18-MAR-04 0%

AFC - ICP 369
 RI 115 Avg. Wt/Calv: 103 / 6
 Age / Calves 8j. 7md. / 6

ZW BOOMERANG BG 950027 - SP -
 0043247139 - 04-NOV-95 3%

MOTSWIRI AJB 960101 - A -
 0042274480 - 10-OCT-96 0%

ZW BOOMERANG BG 950103 - SP -
 0044845451 - 25-NOV-95 4%

- HT 950030 - SP -
 0044845428 - 21-NOV-95 0%

NONNIE CR 960004 - SP -
 0036882744 - 29-JUL-96 7%

NONNIE CR 960001 - SP -
 0035540202 - 20-MAR-96 6%

---- -
 --- -%

BLOMVLEI SW 980043 - SP -
 0041159054 - 30-OCT-98 5%

Selection value	CALVING EASE ☆☆☆		MILK ☆☆☆		CALF GRWTH. ☆☆☆		MAINTENANCE ☆☆☆		GROWTH TEST					FERTILITY ☆☆☆			COW VALUE ☆☆☆	GROWTH VALUE ☆☆☆	PRODUCTION VALUE ☆☆☆
	93 ₇₃	100 ₆₁	90 ₇₂	107 ₂₆						113 ₃₁									
Birth wght	Birth Mat	Milk	Wean wght	Post wean	Mature wght	ADG	Kleiber	FCR	Length	Height	SC	AFC	ICP	In Vitro					
92	104	100	90	98	93	98	106	-	92	91	94	110	111	90 ₄₆	98 ₂₂	94 ₄₁			
1.25 ₇₅	.03 ₅₉	2 ₆₁	-.1 ₇₂	5.5 ₆₀	1 ₂₆	84 ₁₈	29 ₁₈	-	17 ₁₉	7 ₂₁	8.9 ₂₄	10.5 ₄₃	-4.6 ₁₉	Flushings/Embrios/Calves: 0/0/0					
29(7.1%)			148 (83)	177 (85)	289(101)									Tests: -					
Remarks:														Vacc. -					

LOT 133

0442495, S.A. WELZ, POSBUS 521695, SAXONWOLD, 2132, (T)011-447 2858



Naam Ident. nommer Geslag Afdeling Reg. nommer Geboorte Datum
BLOMVLEI SW 140046 VROULIK SP 0080713761 31-OCT-14

SW 140046

DNS: -

BLOMVLEI SW 140046 - SP -
 0080713761 - 31-OCT-14 4%

OEK - TKP -
 RI -
 Oud. / Kalwers 1j. 5md. / -
 Gem SI/Kalf: / 0
 KALWINGS -

BLOMVLEI SW 060039 - SP P
 0063613590 - 02-SEP-06 4%

BLOMVLEI SW 110088 - B SC
 0074522749 - 27-NOV-11 4%

OEK 35.1 TKP 404
 RI 98 Gem SI/Kalf: 108 / 1
 Oud. / Kalwers 4j. 4md. / 2

MOTSWIRI AJB 020021 - B -
 0046814281 - 24-SEP-02 5%

- HT 990005 - SP -
 0044845857 - 16-MAY-99 2%

OEK - TKP 433
 RI 93 Gem SI/Kalf: 100 / 7
 Oud. / Kalwers 12j. 12md. / 7

GENERAALSDRAAI H 030011 - SP -
 0047197751 - 11-MAY-03 6%

BLOMVLEI SW 061069 - A -
 0070336334 - 25-OCT-06 0%

OEK - TKP 362
 RI 117 Gem SI/Kalf: 107 / 2
 Oud. / Kalwers 5j. 11md. / 2

ZW BOOMERANG BG 950027 - SP -
 0043247139 - 04-NOV-95 3%

MOTSWIRI AJB 960101 - A -
 0042274480 - 10-OCT-96 0%

ZW BOOMERANG BG 950103 - SP -
 0044845451 - 25-NOV-95 4%

- HT 950030 - SP -
 0044845428 - 21-NOV-95 0%

ZW BOOMERANG BG 960092 - SP -
 0043293224 - 30-OCT-96 9%

- LB 950105 - SP -
 0039595996 - 08-NOV-95 10%

NONNIE CR 010015 - SP P
 0044826162 - 25-JUL-01 12%

---- -
 --- -%

Seleksie waarde	KALF GEMAK ☆☆☆		MELK ☆☆☆		KALFGROEI ☆☆☆		ONDERHOUD ☆☆☆		GROEI TOETS					VRUGBAARHEID ☆☆☆			KOEI WAARDE ☆☆☆	GROEI WAARDE ☆☆☆	PRODUKSIE WAARDE ☆☆☆
	100 ₇₃	103 ₆₀	106 ₇₁	105 ₂₃						100 ₃₂									
Geb gew	Geb Mat	Melk	Speen gew	Naspeen	Volw. gewig	GDT	Kleiber	VOV	Lengte	Hoogte	SO	OEK	TKP	In Vitro					
98	113	103	106	106	95	111	114	-	109	106	107	116	95	110 ₄₆	111 ₂₄	112 ₄₂			
.79 ₇₅	-.27 ₅₈	2.8 ₆₀	5.5 ₇₁	10.3 ₅₈	4 ₂₃	126 ₂₀	39 ₂₀	-	32 ₂₁	17 ₂₃	14.8 ₂₆	15.3 ₄₄	-6.1 ₁₉	Spoelings/Embrios/Kalwers: 0/0/0					
27(7.7%)			182 (108)	206(103)	289(101)									Toetse: -					
Opmerkings:														Inent. -					

LOT 134

0442495, S.A. WELZ, POSBUS 521695, SAXONWOLD, 2132, (T)011-447 2858



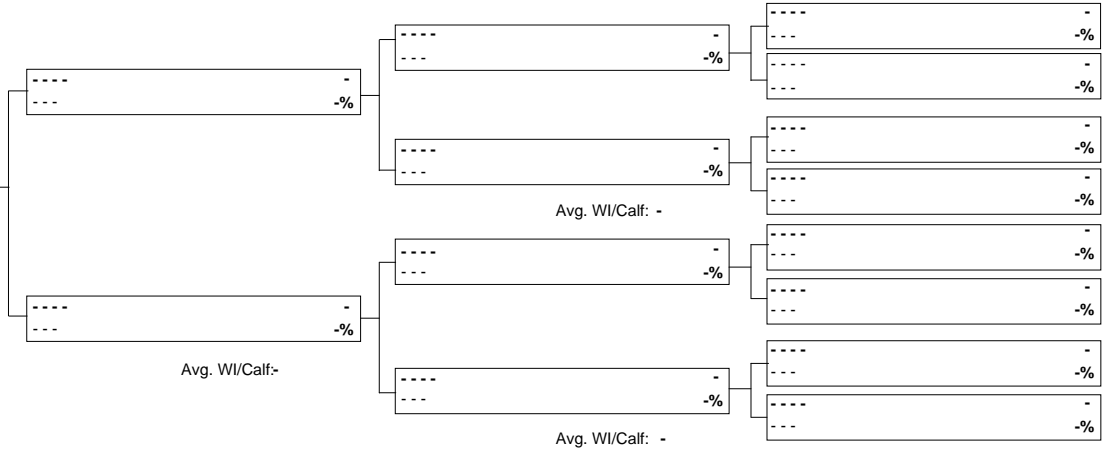
Name: **BLOMVLEI** Ident. number: **SW 140051** Sex: **FEMALE** Section: **A** Reg. number: **0083289173** Birth Date: **24-APR-14**

SW 140051

DNA: -

BLOMVLEI SW 140051 - A
0083289173 - 24-APR-14 -%

AFC - ICP -
RI -
Age / Calves **1j. 11md. / -**
Avg. WI/Calf: **/ 0**
CALVINGS
-



Selection value	CALVING EASE		MILK	CALF GRWTH.	MAINTENANCE		GROWTH TEST					FERTILITY			COW VALUE	GROWTH VALUE	PRODUCTION VALUE
	Birth wght	Birth Mat	Milk	Wean wght	Post wean	Mature wght	ADG	Kleiber	FCR	Length	Height	SC	AFC	ICP			
Breeding value index	-	-	-	-	-	-	-	-	-	-	-	-	-	-	-	-	-
Breeding value	-	-	-	-	-	-	-	-	-	-	-	-	-	-	-	-	-
Weights/Index	24			- (-)	- (-)	- (-)											
Remarks:	-														In Vitro Flushings/Embrios/Calves: 0/0/0 Tests: - Vacc. -		

LOT 135

0442495, S.A. WELZ, POSBUS 521695, SAXONWOLD, 2132, (T)011-447 2858



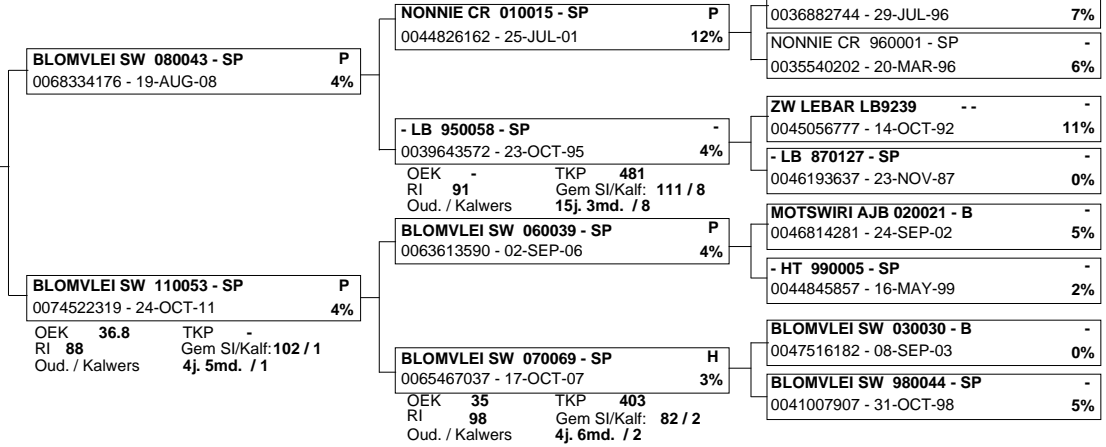
Naam: **BLOMVLEI** Ident. nommer: **SW 140056** Geslag: **VROULIK** Afdeling: **SP** Reg. nommer: **0080713951** Geboorte Datum: **17-NOV-14**

SW 140056

DNS: -

BLOMVLEI SW 140056 - SP
0080713951 - 17-NOV-14 5%

OEK - TKP -
RI -
Oud. / Kalwers **1j. 4md. / -**
Gem SI/Kalf: **/ 0**
KALWINGS
-



Seleksie waarde	KALF GEMAK		MELK	KALFGROEI	ONDERHOUD		GROEI TOETS					VRUGBAARHEID			KOEI WAARDE	GROEI WAARDE	PRODUKSIE WAARDE
	Geb gew	Geb Mat	Melk	Speen gew	Naspeen	Volw. gewig	GDT	Kleiber	VOV	Lengte	Hoogte	SO	OEK	TKP			
Teeltwaarde index	95	117	104	101	98	91	-	-	-	-	-	100	105	102	-	-	-
Teeltwaarde	1.04 ₇₅	-.4 ₅₇	3.2 ₅₉	3.8 ₇₁	5.8 ₅₈	-1.18	-	-	-	-	-	11.6 ₇	-5.3 ₃₈	-2.2 ₁₂			
Gewig/Index	29(9%)			156 (102)	204(105)	- (-)											
Opmerkings:	-														In Vitro Spoelings/Embrios/Kalwers: 0/0/0 Toetse: - Inent. -		

LOT 138

0442495, S.A. WELZ, POSBUS 521695, SAXONWOLD, 2132, (T)011-447 2858



Name Ident. number Sex Section Reg. number Birth Date
BLOMVLEI SW 140072 FEMALE SP 0080713894 05-DEC-14

SW 140072

DNA: -

BLOMVLEI SW 140072 - SP P
 0080713894 - 05-DEC-14 3%

AFC - ICP -
 RI -
 Age / Calves 1j. 4md. / -
 Avg. Wt/Calv: / 0
 CALVINGS -

BLOMVLEI SW 080043 - SP P
 0068334176 - 19-AUG-08 4%

BLOMVLEI SW 110074 - B P
 0074522616 - 13-NOV-11 6%

AFC 36.7 ICP -
 RI 89 Avg. Wt/Calv: 108 / 1
 Age / Calves 4j. 5md. / 1

NONNIE CR 010015 - SP P
 0044826162 - 25-JUL-01 12%

- LB 950058 - SP -
 0039643572 - 23-OCT-95 4%

AFC - ICP 481
 RI 91 Avg. Wt/Calv: 111 / 8
 Age / Calves 15j. 3md. / 8

BLOMVLEI SW 070044 - SP SC
 0065591075 - 02-SEP-07 7%

BLOMVLEI SW 090027 - A -
 0072057854 - 25-JUN-09 0%

AFC - ICP -
 RI - Avg. Wt/Calv: 102 / 1
 Age / Calves 3j. 3md. / 1

NONNIE CR 960004 - SP -
 0036882744 - 29-JUL-96 7%

NONNIE CR 960001 - SP -
 0035540202 - 20-MAR-96 6%

ZW LEBAR LB9239 - -
 0045056777 - 14-OCT-92 11%

- LB 870127 - SP -
 0046193637 - 23-NOV-87 0%

MEGA M 040002 - SP P
 0048821524 - 14-MAR-04 5%

ZW BOOMERANG BG 900039 - SP -
 0028628998 - 11-OCT-90 1%

MEGA M 030004 - SP P
 0048821201 - 23-FEB-03 10%

---- -
 --- -9%

Selection value	CALVING EASE ☆☆☆		MILK ☆☆☆☆		CALF GRWTH. ☆☆☆		MAINTENANCE ☆☆☆			GROWTH TEST					FERTILITY ☆☆☆			COW VALUE ☆☆☆☆	GROWTH VALUE	PRODUCTION VALUE							
	95 ⁷²	112 ⁵⁹	108 ⁷¹	107 ¹⁸									108 ²⁴														
Birth wght	Birth Mat	Milk	Wean wght	Post wean	Mature wght	ADG	Kleiber	FCR	Length	Height	SC	AFC	ICP	☆☆☆☆													
93	115	112	108	105	93	-	-	-	-	108	106	114	105	118 ⁴¹			-	-									
1.17 ⁷⁴	-.35 ⁵⁶	5.6 ⁵⁹	6.2 ⁷¹	9.4 ⁵⁶	1 ¹⁸	-	-	-	-	17 ⁸	14.2 ⁸	13.4 ³⁷	-3.1 ¹²	In Vitro			0/0/0										
29(8.4%)														164 (108)		214(111)		- (-)						Flushings/Embrios/Calves: 0/0/0		Tests: -	
Remarks: -														Vacc. -													

LOT 139

0442495, S.A. WELZ, POSBUS 521695, SAXONWOLD, 2132, (T)011-447 2858



Naam Ident. nommer Geslag Afdeling Reg. nommer Geboorte Datum
BLOMVLEI SW 140073 VROULIK SP 0080854185 09-DEC-14

SW 140073

DNS: -

BLOMVLEI SW 140073 - SP -
 0080854185 - 09-DEC-14 9%

OEK - TKP -
 RI -
 Oud. / Kalwers 1j. 4md. / -
 Gem SI/Kalf: / 0
 KALWINGS -

BLOMVLEI SW 100052 - SP P
 0071976781 - 03-NOV-10 4%

BLOMVLEI SW 100046 - SP H
 0071680433 - 14-OCT-10 5%

OEK 34.9 TKP 454
 RI 95 Gem SI/Kalf: 109 / 2
 Oud. / Kalwers 5j. 6md. / 2

BLOMVLEI SW 070050 - B P
 0065616161 - 22-SEP-07 1%

BLOMVLEI SW 050015 - SP P
 0060017902 - 10-APR-05 5%

OEK 36 TKP 430
 RI 97 Gem SI/Kalf: 99 / 4
 Oud. / Kalwers 7j. 6md. / 4

MEGA M 030004 - SP P
 0048821201 - 23-FEB-03 10%

BLOMVLEI SW 060066 - B H
 0063613541 - 23-OCT-06 5%

OEK 34.9 TKP 393
 RI 101 Gem SI/Kalf: 113 / 3
 Oud. / Kalwers 5j. 11md. / 3

MEGA M 040002 - SP P
 0048821524 - 14-MAR-04 5%

BLOMVLEI SW 040075 - A H
 0049135528 - 07-OCT-04 0%

NONNIE CR 010015 - SP P
 0044826162 - 25-JUL-01 12%

BLOMVLEI SW 960004 - SP -
 0037212685 - 25-OCT-96 3%

ZW BOOMERANG BG 940025 - SP -
 0036749745 - 04-OCT-94 3%

ZW BOOMERANG BG 980107 - SP -
 0044845782 - 07-NOV-98 3%

NONNIE CR 010015 - SP P
 0044826162 - 25-JUL-01 12%

BLOMVLEI SW 980045 - A -
 0043368414 - 02-NOV-98 7%

Seleksie waarde	KALF GEMAK ☆☆☆		MELK ☆☆☆☆		KALFGROEI ☆☆☆		ONDERHOUD ☆☆☆			GROEI TOETS					VRUGBAARHEID ☆☆☆			KOEI WAARDE ☆☆☆☆	GROEI WAARDE	PRODUKSIE WAARDE							
	90 ⁷¹	112 ⁵⁵	103 ⁶⁸	108 ²⁰									108 ²⁰														
Geb gew	Geb Mat	Melk	Speen gew	Naspeen	Volw. gewig	GDT	Kleiber	VOV	Lengte	Hoogte	SO	OEK	TKP	☆☆☆☆													
89	107	112	103	104	92	-	-	-	-	-	-	93	111	109 ³⁹			-	-									
1.49 ⁷³	-.09 ⁵³	5.4 ⁵⁵	4.4 ⁶⁸	9.2 ⁵²	1 ²⁰	-	-	-	-	-	-	4.6 ³²	-4.5 ⁹	In Vitro			0/0/0										
29(7.7%)														156 (102)		194 (99)		- (-)						Spoelings/Embrios/Kalwers: 0/0/0		Toetse: -	
Opmerkings: -														Inent. -													

LOT 140

0442495, S.A. WELZ, POSBUS 521695, SAXONWOLD, 2132, (T)011-447 2858



Name Ident. number Sex Section Reg. number Birth Date
BLOMVLEI SW 140077 FEMALE SP 0080854201 11-DEC-14

SW 140077

DNA: -

BLOMVLEI SW 140077 - SP
 0080854201 - 11-DEC-14 5%

AFC - ICP -
 RI -
 Age / Calves 1j. 4md. / -
 Avg. Wt/Calv: / 0
 CALVINGS

BLOMVLEI SW 100052 - SP P
 0071976781 - 03-NOV-10 4%

BLOMVLEI SW 080084 - SP H
 0067749184 - 07-NOV-08 10%

AFC 34.9 ICP 388
 RI 104 Avg. Wt/Calv: 109 / 4
 Age / Calves 7j. 5md. / 4

BLOMVLEI SW 070050 - B P
 0065616161 - 22-SEP-07 1%

BLOMVLEI SW 050015 - SP P
 0060017902 - 10-APR-05 5%

AFC 36 ICP 430
 RI 97 Avg. Wt/Calv: 99 / 4
 Age / Calves 7j. 6md. / 4

PULU PT 010037 - SP
 0045340189 - 22-OCT-01 10%

BLOMVLEI SW 010057 - SP
 0045453909 - 16-NOV-01 9%

AFC 36.4 ICP 480
 RI 90 Avg. Wt/Calv: 106 / 3
 Age / Calves 8j. 5md. / 4

MEGA M 040002 - SP P
 0048821524 - 14-MAR-04 5%

BLOMVLEI SW 040075 - A H
 0049135528 - 07-OCT-04 0%

NONNIE CR 010015 - SP P
 0044826162 - 25-JUL-01 12%

BLOMVLEI SW 960004 - SP
 0037212685 - 25-OCT-96 3%

JAMBO J 942990 - SP
 0035453182 - 06-JUL-94 12%

SIGIDI HKL 950008 - SP
 0038230868 - 15-OCT-95 13%

- ELK 940506 - SP
 0041181876 - 04-AUG-94 12%

- DK 971675 - SP
 0042955583 - 14-AUG-97 7%

Selection value	CALVING EASE ☆☆☆		MILK ☆☆☆☆		CALF GRWTH. ☆☆☆		MAINTENANCE ☆☆☆			GROWTH TEST					FERTILITY ☆☆☆			COW VALUE ☆☆☆☆	GROWTH VALUE	PRODUCTION VALUE
	93 ₇₂	114 ₅₆	103 ₆₉	107 ₂₂						101 ₂₆										
Breeding value index	Birth wght	Birth Mat	Milk	Wean wght	Post wean	Mature wght	ADG	Kleiber	FCR	Length	Height	SC	AFC	ICP	In Vitro					
Breeding value	93	96	114	103	107	93	95	95	-	-	-	103	98	102	110 ₄₂					
Weights/Index	1.17 ₇₄	.29 ₅₅	6 ₅₆	4.3 ₆₉	10.6 ₅₄	1 ₂₂	76 ₈	14 ₈	-	-	-	12.9 ₁₆	.9 ₃₆	-2.2 ₁₆	Flushings/Embrios/Calves: 0/0/0 Tests: - Vacc. -					
Remarks: -																				

LOT 141

0442495, S.A. WELZ, POSBUS 521695, SAXONWOLD, 2132, (T)011-447 2858



Naam Ident. nommer Geslag Afdeling Reg. nommer Geboorte Datum
BLOMVLEI SW 140081 VROULIK SP 0080854227 18-DEC-14

SW 140081

DNS: -

BLOMVLEI SW 140081 - SP P
 0080854227 - 18-DEC-14 4%

OEK - TKP -
 RI -
 Oud. / Kalwers 1j. 3md. / -
 Gem SI/Kalf: / 0
 KALWINGS

BLOMVLEI SW 100052 - SP P
 0071976781 - 03-NOV-10 4%

BLOMVLEI SW 090044 - SP
 0069469484 - 02-OCT-09 5%

OEK 36.1 TKP 402
 RI 98 Gem SI/Kalf: 102 / 3
 Oud. / Kalwers 6j. 6md. / 3

BLOMVLEI SW 070050 - B P
 0065616161 - 22-SEP-07 1%

BLOMVLEI SW 050015 - SP P
 0060017902 - 10-APR-05 5%

OEK 36 TKP 430
 RI 97 Gem SI/Kalf: 99 / 4
 Oud. / Kalwers 7j. 6md. / 4

HBH HBH 030739 - B PP
 0048040240 - 10-OCT-03 4%

BLOMVLEI SW 010053 - SP
 0045377892 - 10-NOV-01 3%

OEK 30.1 TKP 381
 RI 112 Gem SI/Kalf: 106 / 10
 Oud. / Kalwers 14j. 5md. / 12

MEGA M 040002 - SP P
 0048821524 - 14-MAR-04 5%

BLOMVLEI SW 040075 - A H
 0049135528 - 07-OCT-04 0%

NONNIE CR 010015 - SP P
 0044826162 - 25-JUL-01 12%

BLOMVLEI SW 960004 - SP
 0037212685 - 25-OCT-96 3%

ZW BOOMERANG BG 960053 - SP
 0043293216 - 10-NOV-96 4%

HBH HBH 950103 - A
 0035200708 - 27-OCT-95 6%

- ELK 940506 - SP
 0041181876 - 04-AUG-94 12%

BLOMVLEI SW 960001 - B
 0037212651 - 18-OCT-96 0%

Seleksie waarde	KALF GEMAK ☆☆		MELK ☆☆☆		KALFGROEI ☆☆☆☆		ONDERHOUD ☆☆☆			GROEI TOETS					VRUGBAARHEID ☆☆☆			KOEI WAARDE ☆☆☆	GROEI WAARDE	PRODUKSIE WAARDE
	83 ₇₂	99 ₅₆	110 ₆₉	95 ₂₃						98 ₂₆										
Teeltwaarde index	Geb gew	Geb Mat	Melk	Speen gew	Naspeen	Volw. gewig	GDT	Kleiber	VOV	Lengte	Hoogte	SO	OEK	TKP	In Vitro					
Teeltwaarde	84	93	99	110	110	105	100	97	-	103	105	107	92	100	94 ₄₂					
Gewig/Index	1.91 ₇₄	.39 ₅₅	1.7 ₅₆	7 ₆₉	12.6 ₅₄	14 ₂₃	90 ₁₁	18 ₁₁	-	26 ₁₅	16 ₁₇	14.7 ₁₇	5.5 ₃₅	-1.9 ₁₆	Spoelings/Embrios/Kalwers: 0/0/0 Toetse: - Inent. -					
Opmerkings: -																				

LOT 142

0442495, S.A. WELZ, POSBUS 521695, SAXONWOLD, 2132, (T)011-447 2858



Name Ident. number Sex Section Reg. number Birth Date
BLOMVLEI SW 150002 FEMALE B 0082025073 13-MAY-15

SW 150002
 DNA: P649/16

BLOMVLEI SW 150002 - B -
 0082025073 - 13-MAY-15 0%
 AFC - ICP -
 RI -
 Age / Calves 0j. 11md. / -
 Avg. Wt/Calv: / 0
 CALVINGS -

BLOMVLEI SW 100052 - SP P
 0071976781 - 03-NOV-10 4%
BLOMVLEI SW 080062 - A -
 0072057847 - 30-SEP-08 0%
 AFC - ICP 435
 RI 100 Avg. Wt/Calv: 128 / 4
 Age / Calves 7j. 6md. / 4

BLOMVLEI SW 070050 - B P
 0065616161 - 22-SEP-07 1%
BLOMVLEI SW 050015 - SP P
 0060017902 - 10-APR-05 5%
 AFC 36 ICP 430
 RI 97 Avg. Wt/Calv: 99 / 4
 Age / Calves 7j. 6md. / 4
MEGA M 030004 - SP P
 0048821201 - 23-FEB-03 10%
 - - - - -
 - - - - -
 - - - - -

MEGA M 040002 - SP P
 0048821524 - 14-MAR-04 5%
BLOMVLEI SW 040075 - A H
 0049135528 - 07-OCT-04 0%
NONNIE CR 010015 - SP P
 0044826162 - 25-JUL-01 12%
BLOMVLEI SW 960004 - SP -
 0037212685 - 25-OCT-96 3%
ZW BOOMERANG BG 940025 - SP -
 0036749745 - 04-OCT-94 3%
ZW BOOMERANG BG 980107 - SP -
 0044845782 - 07-NOV-98 3%
 - - - - -
 - - - - -
 - - - - -

Avg. Wt/Calv: -

Selection value	CALVING EASE ☆☆☆		MILK ★★★★		CALF GRWTH. ☆☆☆		MAINTENANCE ☆☆		GROWTH TEST					FERTILITY ★★★★			COW VALUE ☆☆☆☆	GROWTH VALUE	PRODUCTION VALUE
	92 ⁶³	125 ²⁶	105 ³¹	79 ¹¹						126 ¹⁴									
Birth wght	Birth Mat	Milk	Wean wght	Post wean	Mature wght	ADG	Kleiber	FCR	Length	Height	SC	AFC	ICP	In Vitro					
94	91	125	105	123	121	113	113	-	111	109	91	102	128	118 ²²			-	-	
1.14 ⁶⁵	.46 ⁴³	9.3 ²⁶	5.3 ³¹	19.6 ²⁸	31 ¹¹	132 ¹¹	37 ¹¹	-	33 ¹²	18 ¹³	7.5 ¹³	-3.4 ¹⁸	-8.7 ¹⁰	Flushings/Embrios/Calves: 0/0/0			-	-	
Remarks:														Tests: -					
														Vacc. -					

LOT 143

0442495, S.A. WELZ, POSBUS 521695, SAXONWOLD, 2132, (T)011-447 2858



Naam Ident. nommer Geslag Afdeling Reg. nommer Geboorte Datum
BLOMVLEI SW 150003 VROULIK SP 0082025081 14-MAY-15

SW 150003
 DNS: P654/16

BLOMVLEI SW 150003 - SP -
 0082025081 - 14-MAY-15 0%
 OEK - TKP -
 RI -
 Oud. / Kalwers 0j. 11md. / -
 Gem SI/Kalf: / 0
 KALWINGS -

BLOMVLEI SW 100052 - SP P
 0071976781 - 03-NOV-10 4%
BLOMVLEI SW 080085 - SP P
 0067749192 - 08-NOV-08 5%
 OEK 35.3 TKP 434
 RI 97 Gem SI/Kalf: 101 / 4
 Oud. / Kalwers 7j. 5md. / 4

BLOMVLEI SW 070050 - B P
 0065616161 - 22-SEP-07 1%
BLOMVLEI SW 050015 - SP P
 0060017902 - 10-APR-05 5%
 OEK 36 TKP 430
 RI 97 Gem SI/Kalf: 99 / 4
 Oud. / Kalwers 7j. 6md. / 4
PULU PT 010037 - SP -
 0045340189 - 22-OCT-01 10%
- HT 990040 - SP -
 0044845964 - 16-NOV-99 4%
 OEK - TKP 378
 RI 109 Gem SI/Kalf: 100 / 7
 Oud. / Kalwers 12j. 11md. / 9

MEGA M 040002 - SP P
 0048821524 - 14-MAR-04 5%
BLOMVLEI SW 040075 - A H
 0049135528 - 07-OCT-04 0%
NONNIE CR 010015 - SP P
 0044826162 - 25-JUL-01 12%
BLOMVLEI SW 960004 - SP -
 0037212685 - 25-OCT-96 3%
JAMBO J 942990 - SP -
 0035453182 - 06-JUL-94 12%
SIGIDI HKL 950008 - SP -
 0038230868 - 15-OCT-95 13%
ZW BOOMERANG BG 950103 - SP -
 0044845451 - 25-NOV-95 4%
- HT 910059 - SP -
 0044844983 - 30-NOV-91 0%

Seleksie waarde	KALF GEMAK ★★★★		MELK ★★★★		KALFGROEI ☆☆☆		ONDERHOUD ☆☆☆		GROEI TOETS					VRUGBAARHEID ★★★★			KOEI WAARDE ☆☆☆☆	GROEI WAARDE	PRODUKSIE WAARDE
	111 ⁶⁵	100 ³¹	92 ³⁸	94 ²⁰						119 ²³									
Geb gew	Geb Mat	Melk	Speen gew	Naspeen	Volw. gewig	GDT	Kleiber	VOV	Lengte	Hoogte	SO	OEK	TKP	In Vitro					
110	104	100	92	109	106	87	92	-	-	84	75	97	122	105 ²⁹			-	-	
-15 ⁶⁷	.03 ⁴⁵	2.31	.5 ³⁸	11.5 ³⁴	15 ²⁰	51 ¹⁴	11 ¹⁴	-	-	3 ⁶	.3 ¹⁷	1.6 ³⁰	-7.3 ¹⁶	Flushings/Embrios/Kalwers: 0/0/0			-	-	
Opmerkings:														Toetse: -					
														Inent. -					

LOT 144

0442495, S.A. WELZ, POSBUS 521695, SAXONWOLD, 2132, (T)011-447 2858



Name Ident. number Sex Section Reg. number Birth Date
BLOMVLEI SW 150004 FEMALE SP 0082025107 16-MAY-15

SW 150004
 DNA: P655/16

BLOMVLEI SW 150004 - SP -
 0082025107 - 16-MAY-15 0%
 AFC - ICP -
 RI -
 Age / Calves 0j. 11md. / -
 Avg. Wt/Calv: / 0
 CALVINGS -

BLOMVLEI SW 060039 - SP P
 0063613590 - 02-SEP-06 4%

BLOMVLEI SW 110014 - SP P
 0073313546 - 16-MAY-11 2%

AFC 35.9 ICP 369
 RI 98 Avg. Wt/Calv: 94 / 1
 Age / Calves 4j. 11md. / 2

MOTSWIRI AJB 020021 - B -
 0046814281 - 24-SEP-02 5%

- HT 990005 - SP -
 0044845857 - 16-MAY-99 2%

AFC - ICP 433
 RI 93 Avg. Wt/Calv: 100 / 7
 Age / Calves 12j. 12md. / 7

BLOMVLEI SW 070050 - B P
 0065616161 - 22-SEP-07 1%

BLOMVLEI SW 050028 - SP P
 0060004926 - 09-MAY-05 2%

AFC 36.1 ICP 372
 RI 107 Avg. Wt/Calv: 101 / 6
 Age / Calves 8j. 11md. / 6

ZW BOOMERANG BG 950027 - SP -
 0043247139 - 04-NOV-95 3%

MOTSWIRI AJB 960101 - A -
 0042274480 - 10-OCT-96 0%

ZW BOOMERANG BG 950103 - SP -
 0044845451 - 25-NOV-95 4%

- HT 950030 - SP -
 0044845428 - 21-NOV-95 0%

MEGA M 040002 - SP P
 0048821524 - 14-MAR-04 5%

BLOMVLEI SW 040075 - A H
 0049135528 - 07-OCT-04 0%

BLOMVLEI SW 010040 - SP -
 0045340163 - 22-OCT-01 6%

BLOMVLEI SW 960001 - B -
 0037212651 - 18-OCT-96 0%

Selection value	CALVING EASE ★★★★		MILK ★★★★		CALF GRWTH. ★★		MAINTENANCE ★★		GROWTH TEST					FERTILITY ★★★★			COW VALUE ★★★	GROWTH VALUE -	PRODUCTION VALUE -
	125 ⁶⁶	100 ²⁹	84 ³⁵	87 ¹²	ADG	Kleiber	FCR	Length	Height	SC	AFC	ICP	122 ²⁰						
Birth wght	124	101	100	84	105	113	98	102	-	97	97	83	82	130	106 ²⁶	-	-		
Birth Mat	0.11 ⁴⁵	1.8 ²⁹	-2.5 ³⁵	9.5 ³²	22 ¹²	85 ⁸	24 ⁸	-	21 ¹⁰	11 ¹⁰	3.8 ¹⁰	14.9 ²⁷	-9.2 ¹²	In Vitro	-	-			
Breeding value index	-1.25 ⁶⁸	0.11 ⁴⁵	1.8 ²⁹	-2.5 ³⁵	9.5 ³²	22 ¹²	85 ⁸	24 ⁸	-	21 ¹⁰	11 ¹⁰	3.8 ¹⁰	14.9 ²⁷	-9.2 ¹²	0/0/0	0/0/0			
Breeding value	-1.25 ⁶⁸	0.11 ⁴⁵	1.8 ²⁹	-2.5 ³⁵	9.5 ³²	22 ¹²	85 ⁸	24 ⁸	-	21 ¹⁰	11 ¹⁰	3.8 ¹⁰	14.9 ²⁷	-9.2 ¹²	0/0/0	0/0/0			
Weights/Index	25(5.6%)		161 (94)	- (-)	- (-)										0/0/0	0/0/0			
Remarks:	-														Vacc. -				

LOT 145

0442495, S.A. WELZ, POSBUS 521695, SAXONWOLD, 2132, (T)011-447 2858



Naam Ident. nommer Geslag Afdeling Reg. nommer Geboorte Datum
BLOMVLEI SW 150005 VROULIK SP 0082024985 17-MAY-15

SW 150005
 DNS: P656/16

BLOMVLEI SW 150005 - SP -
 0082024985 - 17-MAY-15 0%
 OEK - TKP -
 RI -
 Oud. / Kalwers 0j. 10md. / -
 Gem SI/Kalf: / 0
 KALWINGS -

BLOMVLEI SW 100052 - SP P
 0071976781 - 03-NOV-10 4%

BLOMVLEI SW 090047 - B -
 0069469500 - 03-OCT-09 0%

OEK 32.1 TKP 359
 RI 111 Gem SI/Kalf: 102 / 4
 Oud. / Kalwers 6j. 6md. / 4

BLOMVLEI SW 070050 - B P
 0065616161 - 22-SEP-07 1%

BLOMVLEI SW 050015 - SP P
 0060017902 - 10-APR-05 5%

OEK 36 TKP 430
 RI 97 Gem SI/Kalf: 99 / 4
 Oud. / Kalwers 7j. 6md. / 4

MEGA M 030004 - SP P
 0048821201 - 23-FEB-03 10%

BLOMVLEI SW 940015 - A -
 0033721127 - 01-AUG-94 0%

OEK - TKP 369
 RI 115 Gem SI/Kalf: 106 / 14
 Oud. / Kalwers 18j. 2md. / 15

MEGA M 040002 - SP P
 0048821524 - 14-MAR-04 5%

BLOMVLEI SW 040075 - A H
 0049135528 - 07-OCT-04 0%

NONNIE CR 010015 - SP P
 0044826162 - 25-JUL-01 12%

BLOMVLEI SW 960004 - SP -
 0037212685 - 25-OCT-96 3%

ZW BOOMERANG BG 940025 - SP -
 0036749745 - 04-OCT-94 3%

ZW BOOMERANG BG 980107 - SP -
 0044845782 - 07-NOV-98 3%

---- -
 --- -%

---- -
 --- -%

Seleksie waarde	KALF GEMAK ★★★★		MELK ★★★★		KALFGROEI ★★★★		ONDERHOUD ★★		GROEI TOETS					VRUGBAARHEID ★★★★☆			KOEI WAARDE ★★★	GROEI WAARDE -	PRODUKSIE WAARDE -
	103 ⁶⁶	107 ³³	103 ³⁹	81 ²²	GDT	Kleiber	VOV	Lengte	Hoogte	SO	OEK	TKP	139 ²²						
Geb gew	103	101	107	103	120	119	106	106	-	105	98	88	98	145	114 ³⁰	-	-		
Geb Mat	0.42 ⁶⁸	0.13 ⁴⁷	3.9 ³³	4.4 ³⁹	18.1 ³⁵	29 ²²	108 ¹³	28 ¹³	-	28 ¹⁵	12 ¹⁶	6 ¹⁶	2.27 ²⁷	13.1 ¹⁶	In Vitro	-	-		
Teeltwaarde	0.42 ⁶⁸	0.13 ⁴⁷	3.9 ³³	4.4 ³⁹	18.1 ³⁵	29 ²²	108 ¹³	28 ¹³	-	28 ¹⁵	12 ¹⁶	6 ¹⁶	2.27 ²⁷	13.1 ¹⁶	0/0/0	0/0/0			
Teeltwaarde	0.42 ⁶⁸	0.13 ⁴⁷	3.9 ³³	4.4 ³⁹	18.1 ³⁵	29 ²²	108 ¹³	28 ¹³	-	28 ¹⁵	12 ¹⁶	6 ¹⁶	2.27 ²⁷	13.1 ¹⁶	0/0/0	0/0/0			
Gewig/Index	29(5.6%)		172 (102)	- (-)	- (-)										0/0/0	0/0/0			
Opmerkings:	-														Inent. -				

LOT 146

0442495, S.A. WELZ, POSBUS 521695, SAXONWOLD, 2132, (T)011-447 2858



Name Ident. number Sex Section Reg. number Birth Date
BLOMVLEI SW 150007 FEMALE SP 0082025008 19-MAY-15

SW 150007
 DNA: P658/16

BLOMVLEI SW 150007 - SP -
 0082025008 - 19-MAY-15 0%
 AFC - ICP -
 RI -
 Age / Calves 0j. 10md. / -
 Avg. Wt/Calv: / 0
 CALVINGS -

BLOMVLEI SW 100052 - SP P
 0071976781 - 03-NOV-10 4%
BLOMVLEI SW 090030 - SP -
 0069362879 - 13-SEP-09 4%
 AFC 36.9 ICP 476
 RI 89 Avg. Wt/Calv: 104 / 3
 Age / Calves 6j. 7md. / 3

BLOMVLEI SW 070050 - B P
 0065616161 - 22-SEP-07 1%
BLOMVLEI SW 050015 - SP P
 0060017902 - 10-APR-05 5%
 AFC 36 ICP 430
 RI 97 Avg. Wt/Calv: 99 / 4
 Age / Calves 7j. 6md. / 4
MEGA M 030004 - SP P
 0048821201 - 23-FEB-03 10%
BLOMVLEI SW 060044 - B H
 0063613467 - 24-SEP-06 2%
 AFC 35.6 ICP 388
 RI 101 Avg. Wt/Calv: 99 / 3
 Age / Calves 5j. 11md. / 3

MEGA M 040002 - SP P
 0048821524 - 14-MAR-04 5%
BLOMVLEI SW 040075 - A H
 0049135528 - 07-OCT-04 0%
NONNIE CR 010015 - SP P
 0044826162 - 25-JUL-01 12%
BLOMVLEI SW 960004 - SP -
 0037212685 - 25-OCT-96 3%
ZW BOOMERANG BG 940025 - SP -
 0036749745 - 04-OCT-94 3%
ZW BOOMERANG BG 980107 - SP -
 0044845782 - 07-NOV-98 3%
NONNIE CR 010015 - SP P
 0044826162 - 25-JUL-01 12%
BUROWILL ASE 990056 - A -
 0042514505 - 24-OCT-99 0%

Selection value	CALVING EASE ☆☆☆		MILK ☆☆☆		CALF GRWTH. ☆☆☆		MAINTENANCE ☆☆		GROWTH TEST					FERTILITY ☆☆☆☆			COW VALUE ☆☆☆	GROWTH VALUE	PRODUCTION VALUE
	95 ⁶⁵	107 ³²	95 ³⁸	88 ²¹						123 ²²									
Birth wght	Birth Mat	Milk	Wean wght	Post wean	Mature wght	ADG	Kleiber	FCR	Length	Height	SC	AFC	ICP	In Vitro					
96	90	107	95	117	112	93	97	-	92	90	78	94	127	98 ²⁹	-	-	-		
.96 ⁶⁷	.49 ⁴⁵	4.1 ³²	1.6 ³⁸	16 ³⁴	21 ²¹	71 ¹⁰	18 ¹⁰	-	17 ¹²	7 ¹³	1.5 ¹³	4.3 ²⁹	-8.5 ¹⁵	In Vitro					
Breeding value index														Flushings/Embrios/Calves: 0/0/0					
Breeding value														Tests: -					
Weights/Index														Vacc. -					
30(5.7%)														Remarks: -					

LOT 147

0442495, S.A. WELZ, POSBUS 521695, SAXONWOLD, 2132, (T)011-447 2858



Naam Ident. nommer Geslag Afdeling Reg. nommer Geboorte Datum
BLOMVLEI SW 150012 VROULIK SP 0082025057 25-MAY-15

SW 150012
 DNS: P663/16

BLOMVLEI SW 150012 - SP -
 0082025057 - 25-MAY-15 0%
 OEK - TKP -
 RI -
 Oud. / Kalwers 0j. 10md. / -
 Gem SI/Kalf: / 0
 KALWINGS -

BLOMVLEI SW 060039 - SP P
 0063613590 - 02-SEP-06 4%
BLOMVLEI SW 100036 - SP P
 0071491716 - 30-SEP-10 3%
 OEK 35.5 TKP 619
 RI 82 Gem SI/Kalf: 99 / 2
 Oud. / Kalwers 5j. 6md. / 2

MOTSWIRI AJB 020021 - B -
 0046814281 - 24-SEP-02 5%
- HT 990005 - SP -
 0044845857 - 16-MAY-99 2%
 OEK - TKP 433
 RI 93 Gem SI/Kalf: 100 / 7
 Oud. / Kalwers 12j. 12md. / 7
BLOMVLEI SW 070050 - B P
 0065616161 - 22-SEP-07 1%
- HT 980032 - SP -
 0044845667 - 25-NOV-98 5%
 OEK - TKP 395
 RI 105 Gem SI/Kalf: 99 / 10
 Oud. / Kalwers 14j. 9md. / 11

ZW BOOMERANG BG 950027 - SP -
 0043247139 - 04-NOV-95 3%
MOTSWIRI AJB 960101 - A -
 0042274480 - 10-OCT-96 0%
ZW BOOMERANG BG 950103 - SP -
 0044845451 - 25-NOV-95 4%
- HT 950030 - SP -
 0044845428 - 21-NOV-95 0%
MEGA M 040002 - SP P
 0048821524 - 14-MAR-04 5%
BLOMVLEI SW 040075 - A H
 0049135528 - 07-OCT-04 0%
- DK 952447 - SP -
 0044845477 - 13-OCT-95 4%
- HT 940004 - SP -
 0044845337 - 03-OCT-94 4%

Seleksie waarde	KALF GEMAK ☆☆		MELK ☆☆☆		KALFGROEI ☆☆☆☆		ONDERHOUD ☆☆		GROEI TOETS					VRUGBAARHEID ☆☆☆			KOEI WAARDE ☆☆☆	GROEI WAARDE	PRODUKSIE WAARDE
	81 ⁶⁶	100 ³⁰	111 ³⁶	84 ¹²						109 ²⁰									
Geb gew	Geb Mat	Melk	Speen gew	Naspeen	Volw. gewig	GDT	Kleiber	VOV	Lengte	Hoogte	SO	OEK	TKP	In Vitro					
82	90	100	111	127	116	102	105	-	101	100	87	74	118	93 ²⁶	-	-	-		
2.03 ⁶⁸	.48 ⁴⁵	2.30	7.2 ³⁶	21.9 ³²	26.12	98 ⁵	28 ⁵	-	24 ⁷	13 ⁸	5.6 ⁸	22.27	-6.3 ¹²	In Vitro					
Teeltwaarde index														Spoelings/Embrios/Kalwers: 0/0/0					
Teeltwaarde														Toetse: -					
Gewig/Index														Inent. -					
34(6.3%)														Opmerkings: -					

LOT 148

0442495, S.A. WELZ, POSBUS 521695, SAXONWOLD, 2132, (T)011-447 2858



Name Ident. number Sex Section Reg. number Birth Date
BLOMVLEI SW 150013 FEMALE SP 0082025065 26-MAY-15

SW 150013

DNA: P664/16

BLOMVLEI SW 150013 - SP -
 0082025065 - 26-MAY-15 0%

AFC - ICP -
 RI -
 Age / Calves 0j. 10md. / -
 Avg. Wt/Calv: / 0
 CALVINGS -

BLOMVLEI SW 100052 - SP P
 0071976781 - 03-NOV-10 4%

BLOMVLEI SW 080049 - SP P
 0067146233 - 16-SEP-08 10%

AFC 37 ICP 439
 RI 94 Avg. Wt/Calv: 98 / 4
 Age / Calves 7j. 7md. / 4

BLOMVLEI SW 070050 - B P
 0065616161 - 22-SEP-07 1%

BLOMVLEI SW 050015 - SP P
 0060017902 - 10-APR-05 5%

AFC 36 ICP 430
 RI 97 Avg. Wt/Calv: 99 / 4
 Age / Calves 7j. 6md. / 4

PULU PT 010037 - SP -
 0045340189 - 22-OCT-01 10%

BLOMVLEI SW 030012 - SP -
 0047197736 - 30-APR-03 8%

AFC 29.7 ICP 387
 RI 111 Avg. Wt/Calv: 87 / 6
 Age / Calves 9j. 5md. / 6

MEGA M 040002 - SP P
 0048821524 - 14-MAR-04 5%

BLOMVLEI SW 040075 - A H
 0049135528 - 07-OCT-04 0%

NONNIE CR 010015 - SP P
 0044826162 - 25-JUL-01 12%

BLOMVLEI SW 960004 - SP -
 0037212685 - 25-OCT-96 3%

JAMBO J 942990 - SP -
 0035453182 - 06-JUL-94 12%

SIGIDI HKL 950008 - SP -
 0038230868 - 15-OCT-95 13%

- ELK 940506 - SP -
 0041181876 - 04-AUG-94 12%

BLOMVLEI SW 960004 - SP -
 0037212685 - 25-OCT-96 3%

Selection value	CALVING EASE		MILK		CALF GRWTH.		MAINTENANCE		GROWTH TEST					FERTILITY			COW VALUE	GROWTH VALUE	PRODUCTION VALUE
	★★★	★★★	★★★	★★★	★★★	★★★						★★★	★★★	★★★					
	102 ⁶⁶	102 ³³	94 ³⁸	93 ²¹									123 ²³						
Birth wght	103	93	102	94	114	107	86	89	-	86	83	80	98	126	101 ³⁰	-	-		
Birth Mat	.4 ⁶⁸	.4 ⁴⁷	2.5 ³³	1.1 ³⁸	14.5 ³⁴	16 ²¹	48 ¹⁵	7 ¹⁵	-	12 ⁸	3 ⁹	2.7 ¹⁸	.2 ³⁰	-8.3 ¹⁶	In Vitro				
Weight/Calves	31(6.6%)		163 (96)	- (-)	- (-)										Flushings/Embrios/Calves: 0/0/0				
Remarks:															Vacc. -				

LOT 149

0442495, S.A. WELZ, POSBUS 521695, SAXONWOLD, 2132, (T)011-447 2858



Naam Ident. nommer Geslag Afdeling Reg. nommer Geboorte Datum
BLOMVLEI SW 150016 VROULIK SP 0082025123 08-JUN-15

SW 150016

DNS: P667/16

BLOMVLEI SW 150016 - SP -
 0082025123 - 08-JUN-15 0%

OEK - TKP -
 RI -
 Oud. / Kalwers 0j. 10md. / -
 Gem SI/Kalf: / 0
 KALWINGS -

BLOMVLEI SW 060039 - SP P
 0063613590 - 02-SEP-06 4%

BLOMVLEI SW 110010 - SP H
 0073313512 - 01-MAY-11 7%

OEK 37.1 TKP 369
 RI 96 Gem SI/Kalf: 95 / 2
 Oud. / Kalwers 4j. 11md. / 2

MOTSWIRI AJB 020021 - B -
 0046814281 - 24-SEP-02 5%

- HT 990005 - SP -
 0044845857 - 16-MAY-99 2%

OEK - TKP 433
 RI 93 Gem SI/Kalf: 100 / 7
 Oud. / Kalwers 12j. 12md. / 7

NONNIE CR 010015 - SP P
 0044826162 - 25-JUL-01 12%

BLOMVLEI SW 070024 - SP H
 0065551970 - 19-MAY-07 3%

OEK 35.7 TKP 388
 RI 104 Gem SI/Kalf: 103 / 4
 Oud. / Kalwers 8j. 10md. / 5

ZW BOOMERANG BG 950027 - SP -
 0043247139 - 04-NOV-95 3%

MOTSWIRI AJB 960101 - A -
 0042274480 - 10-OCT-96 0%

ZW BOOMERANG BG 950103 - SP -
 0044845451 - 25-NOV-95 4%

- HT 950030 - SP -
 0044845428 - 21-NOV-95 0%

NONNIE CR 960004 - SP -
 0036882744 - 29-JUL-96 7%

NONNIE CR 960001 - SP -
 0035540202 - 20-MAR-96 6%

- DK 952394 - SP -
 0039643861 - 04-MAY-95 3%

ZW BOOMERANG BG 900007 - SP -
 0028628956 - 12-OCT-90 1%

Seleksie waarde	KALF GEMAK		MELK		KALFGROEI		ONDERHOUD		GROEI TOETS					VRUGBAARHEID			KOEI WAARDE	GROEI WAARDE	PRODUKSIE WAARDE
	★★★	★★★	★★★	★★★	★★★	★★★						★★★	★★★	★★★					
	126 ⁶⁵	96 ³²	84 ³⁷	92 ¹⁴									129 ²³						
Geb gew	127	99	96	84	105	108	97	99	-	97	98	82	94	133	106 ²⁸	-	-		
Geb Mat	-1.54 ⁶⁷	.18 ⁴⁶	.6 ³²	-2.3 ³⁷	9.4 ³³	18 ¹⁴	83 ¹⁰	20 ¹⁰	-	21 ¹³	12 ¹⁴	3.5 ¹⁴	3.7 ³⁰	10.1 ¹⁶	In Vitro				
Teeltwaarde															Spoelings/Embrios/Kalwers: 0/0/0				
Gewig/Indeks	21(5%)		139 (79)	- (-)	- (-)										Toetse: -				
Opmerkings:															Inent. -				

LOT 150

0442495, S.A. WELZ, POSBUS 521695, SAXONWOLD, 2132, (T)011-447 2858



Name Ident. number Sex Section Reg. number Birth Date
BLOMVLEI SW 150017 FEMALE SP 0082025131 10-JUN-15

SW 150017
 DNA: P668/16

BLOMVLEI SW 150017 - SP -
 0082025131 - 10-JUN-15 0%
 AFC - ICP -
 RI -
 Age / Calves 0j. 10md. / -
 Avg. Wt/Calv: / 0
 CALVINGS -

BLOMVLEI SW 100052 - SP P
 0071976781 - 03-NOV-10 4%

BLOMVLEI SW 070050 - B P
 0065616161 - 22-SEP-07 1%

BLOMVLEI SW 050015 - SP P
 0060017902 - 10-APR-05 5%

AFC 36 ICP 430
 RI 97 Avg. Wt/Calv: 99 / 4
 Age / Calves 7j. 6md. / 4

- ELK 940506 - SP -
 0041181876 - 04-AUG-94 12%

BLOMVLEI SW 040123 - SP H
 0049625304 - 02-DEC-04 5%

AFC 33.4 ICP 404
 RI 105 Avg. Wt/Calv: 110 / 8
 Age / Calves 11j. 4md. / 8

ZW BOOMERANG BG 900039 - SP -
 0028628998 - 11-OCT-90 1%

AFC 36.4 ICP 374
 RI 110 Avg. Wt/Calv: 102 / 15
 Age / Calves 19j. 6md. / 15

MEGA M 040002 - SP P
 0048821524 - 14-MAR-04 5%

BLOMVLEI SW 040075 - A H
 0049135528 - 07-OCT-04 0%

NONNIE CR 010015 - SP P
 0044826162 - 25-JUL-01 12%

BLOMVLEI SW 960004 - SP -
 0037212685 - 25-OCT-96 3%

ZW BOOMERANG BG 850108 - SP -
 0022173868 - 17-DEC-85 9%

JAMBO J891331 - -
 0045069705 - 03-SEP-89 13%

ZW BOOMERANG BG 810027 - SP -
 0043568757 - 17-SEP-81 0%

ZW BOOMERANG BG 840132 - SP -
 0046166294 - 06-OCT-84 14%

Selection value	CALVING EASE		MILK		CALF GRWTH.		MAINTENANCE		GROWTH TEST					FERTILITY			COW VALUE	GROWTH VALUE	PRODUCTION VALUE
	★★★	★★★	★★★	★★★	★★★	★★						★★★	★★★	★★★					
	101 ⁶⁶	109 ³⁶	100 ⁴¹	74 ²²									123 ²⁵						
Birth wght	Birth Mat	Milk	Wean wght	Post wean	Mature wght	ADG	Kleiber	FCR	Length	Height	SC	AFC	ICP	★★★					
Breeding value index	100	103	109	100	120	126	99	96	-	101	95	97	90	130	105 ³²	-	-		
Breeding value	.62 ⁶⁸	.05 ⁴⁸	4.5 ³⁶	3.3 ⁴¹	17.7 ³⁸	36 ²²	87 ¹⁷	16 ¹⁷	-	24 ¹⁹	10 ²¹	10.2 ²¹	7.3 ³²	-9.3 ¹⁸	In Vitro				
Weights/Index	27(4.5%)		173 (103)	- (-)	- (-)										Flushings/Embrios/Calves: 0/0/0				
Remarks:														Tests: -		Vacc. -			

LOT 151

0442495, S.A. WELZ, POSBUS 521695, SAXONWOLD, 2132, (T)011-447 2858



Naam Ident. nommer Geslag Afdeling Reg. nommer Geboorte Datum
BLOMVLEI SW 150018 VROULIK SP 0082025115 13-JUN-15

SW 150018
 DNS: P669/16

BLOMVLEI SW 150018 - SP -
 0082025115 - 13-JUN-15 0%
 OEK - TKP -
 RI -
 Oud. / Kalwers 0j. 10md. / -
 Gem SI/Kalf: / 0
 KALWINGS -

BLOMVLEI SW 060039 - SP P
 0063613590 - 02-SEP-06 4%

MOTSWIRI AJB 020021 - B -
 0046814281 - 24-SEP-02 5%

- HT 990005 - SP -
 0044845857 - 16-MAY-99 2%

OEK - TKP 433
 RI 93 Gem SI/Kalf: 100 / 7
 Oud. / Kalwers 12j. 12md. / 7

BLOMVLEI SW 100038 - SP P
 0071680367 - 04-OCT-10 3%

OEK 36.9 TKP 591
 RI 81 Gem SI/Kalf: 103 / 2
 Oud. / Kalwers 5j. 6md. / 2

BLOMVLEI SW 070050 - B P
 0065616161 - 22-SEP-07 1%

BLOMVLEI SW 960004 - SP -
 0037212685 - 25-OCT-96 3%

OEK 35.3 TKP 400
 RI 105 Gem SI/Kalf: 106 / 12
 Oud. / Kalwers 15j. 11md. / 12

ZW BOOMERANG BG 950027 - SP -
 0043247139 - 04-NOV-95 3%

MOTSWIRI AJB 960101 - A -
 0042274480 - 10-OCT-96 0%

ZW BOOMERANG BG 950103 - SP -
 0044845451 - 25-NOV-95 4%

- HT 950030 - SP -
 0044845428 - 21-NOV-95 0%

MEGA M 040002 - SP P
 0048821524 - 14-MAR-04 5%

BLOMVLEI SW 040075 - A H
 0049135528 - 07-OCT-04 0%

- J 922802 - SP -
 0033733973 - 26-JUN-92 11%

ZW BOOMERANG BG 900039 - SP -
 0028628998 - 11-OCT-90 1%

Seleksie waarde	KALF GEMAK		MELK		KALFGROEI		ONDERHOUD		GROEI TOETS					VRUGBAARHEID			KOEI WAARDE	GROEI WAARDE	PRODUKSIE WAARDE
	★★	★★★	★★★	★★★	★★★	★★						★★★	★★★	★★★					
	87 ⁶⁵	106 ³²	99 ³⁷	89 ¹⁶									105 ²¹						
Geb gew	Geb Mat	Melk	Speen gew	Naspeen	Volw. gewig	GDT	Kleiber	VOV	Lengte	Hoogte	SO	OEK	TKP	★★★					
Teeltwaarde index	89	86	106	99	118	111	97	101	-	95	95	83	79	112	92 ²⁸	-	-		
Teeltwaarde	1.51 ⁶⁷	.62 ⁴⁵	3.7 ³²	3.1 ³⁷	16.7 ³⁴	21 ¹⁶	82 ⁸	22 ⁸	-	19 ¹⁰	10 ¹¹	3.9 ¹¹	17.7 ²⁸	-4.8 ¹⁴	In Vitro				
Gewig/Index	31(6.7%)		181 (108)	- (-)	- (-)										Spoelings/Embrios/Kalwers: 0/0/0				
Opmerkings:														Toetse: -		Inent. -			

LOT 152

0442495, S.A. WELZ, POSBUS 521695, SAXONWOLD, 2132, (T)011-447 2858



Name Ident. number Sex Section Reg. number Birth Date
BLOMVLEI SW 150019 FEMALE SP 0082025149 14-JUN-15

SW 150019

DNA: P670/16

BLOMVLEI SW 150019 - SP -
 0082025149 - 14-JUN-15 0%

AFC - ICP -
 RI -
 Age / Calves 0j. 10md. / -
 Avg. Wt/Calv: / 0
 CALVINGS -

BLOMVLEI SW 100052 - SP P
 0071976781 - 03-NOV-10 4%

BLOMVLEI SW 080089 - B P
 0067749283 - 12-NOV-08 1%

AFC 35.2 ICP 445
 RI 96 Avg. Wt/Calv: 104 / 4
 Age / Calves 7j. 5md. / 4

BLOMVLEI SW 070050 - B P
 0065616161 - 22-SEP-07 1%

BLOMVLEI SW 050015 - SP P
 0060017902 - 10-APR-05 5%

AFC 36 ICP 430
 RI 97 Avg. Wt/Calv: 99 / 4
 Age / Calves 7j. 6md. / 4

MEGA M 030004 - SP P
 0048821201 - 23-FEB-03 10%

BUROWILL ASE 990053 - A -
 0042514471 - 24-OCT-99 0%

AFC 27.4 ICP 403
 RI 110 Avg. Wt/Calv: 103 / 7
 Age / Calves 11j. 7md. / 8

MEGA M 040002 - SP P
 0048821524 - 14-MAR-04 5%

BLOMVLEI SW 040075 - A H
 0049135528 - 07-OCT-04 0%

NONNIE CR 010015 - SP P
 0044826162 - 25-JUL-01 12%

BLOMVLEI SW 960004 - SP -
 0037212685 - 25-OCT-96 3%

ZW BOOMERANG BG 940025 - SP -
 0036749745 - 04-OCT-94 3%

ZW BOOMERANG BG 980107 - SP -
 0044845782 - 07-NOV-98 3%

- J 960107 - SP -
 0041181660 - 13-AUG-96 2%

BUROWILL ASE 960005 - BS -
 0042274241 - 01-OCT-96 0%

Selection value	CALVING EASE		MILK		CALF GRWTH.		MAINTENANCE		GROWTH TEST					FERTILITY			COW VALUE	GROWTH VALUE	PRODUCTION VALUE	
	★★★	★★★	★★★	★★★	★★★	★★★	★★★	★★★	ADG	Kleiber	FCR	Length	Height	SC	AFC	ICP				★★★
	97 ⁶⁵	109 ³³	92 ³⁸	86 ²¹													128 ²²	★★★	-	-
Birth wght	93	109	92	111	114	96	101	-	93	90	78	95	132	99 ²⁹	-	-		★★★	-	-
Birth Mat	.78 ⁶⁷	.4 ⁴⁶	4.6 ³³	.5 ³⁸	13.1 ³⁴	24 ²¹	79 ¹¹	22 ¹¹	-	18 ¹²	7 ¹³	1.8 ¹³	3.1 ²⁸	-9.8 ¹⁶	In Vitro					
Milk																				
Wean wght			168 (99)	- (-)	- (-)															0/0/0
Post wean																				
Mature wght																				
ADG																				
Kleiber																				
FCR																				
Length																				
Height																				
SC																				
AFC																				
ICP																				
Remarks:	-																			
Flushings/Embrios/Calves:																				
Tests:																				
Vacc.:																				

LOT 160

0442495, S.A. WELZ, POSBUS 521695, SAXONWOLD, 2132, (T)011-447 2858



Naam Ident. nommer Geslag Afdeling Reg. nommer Geboorte Datum
BLOMVLEI SW 120039 MANLIK SP 0076047778 13-OCT-12

12 0039

DNS: -

BLOMVLEI SW 120039 - SP P
 0076047778 - 13-OCT-12 9%

BLOMVLEI SW 080032 - SP P
 0066645953 - 26-MAY-08 6%

BLOMVLEI SW 090035 - SP -
 0069362929 - 19-SEP-09 5%

OEK 36.8 TKP 479
 RI 89 Gem SI/Kalf: 107 / 3
 Oud. / Kalwers 6j. 6md. / 3

PISIRI PS 020118 - SP -
 0047280979 - 24-SEP-02 11%

BLOMVLEI SW 050040 - SP P
 0060013364 - 23-MAY-05 4%

OEK 36.1 TKP 489
 RI 89 Gem SI/Kalf: 112 / 5
 Oud. / Kalwers 9j. 1md. / 5

HBH HBH 030739 - B PP
 0048040240 - 10-OCT-03 4%

BLOMVLEI SW 050015 - SP P
 0060017902 - 10-APR-05 5%

OEK 36 TKP 430
 RI 97 Gem SI/Kalf: 99 / 4
 Oud. / Kalwers 7j. 6md. / 4

SIGIDI HKL 972004 - SP -
 0040707440 - 25-NOV-97 7%

LARYN JM 940042 - SP -
 0032701526 - 28-OCT-94 9%

NONNIE CR 010015 - SP P
 0044826162 - 25-JUL-01 12%

- LB 950058 - SP -
 0039643572 - 23-OCT-95 4%

ZW BOOMERANG BG 960053 - SP -
 0043293216 - 10-NOV-96 4%

HBH HBH 950103 - A -
 0035200708 - 27-OCT-95 6%

NONNIE CR 010015 - SP P
 0044826162 - 25-JUL-01 12%

BLOMVLEI SW 960004 - SP -
 0037212685 - 25-OCT-96 3%

Seleksie waarde	KALF GEMAK		MELK		KALFGROEI		ONDERHOUD		GROEI TOETS					VRUGBAARHEID			KOEI WAARDE	GROEI WAARDE	PRODUKSIE WAARDE	
	★★★	★★★	★★★	★★★	★★★	★★★	★★★	★★★	GDT	Kleiber	VOV	Lengte	Hoogte	SO	OEK	TKP				★★★
	90 ⁷²	96 ⁵⁸	107 ⁷⁰	100 ²²													97 ²⁴	★★★	-	-
Geb gew	88	115	96	107	102	100	-	-	-	109	114	112	93	99	96 ⁴²	-				
Geb Mat	1.58 ⁷⁴	-.33 ⁵⁵	.8 ⁵⁸	5.8 ⁷⁰	7.8 ⁶³	9 ²²	-	-	-	31 ¹³	21 ¹⁶	16.9 ¹⁶	5.1 ³⁵	-1.6 ¹²						
Melk																				
Speen gew			181 (104)	206 (118)	264 (114)															
Naspeen																				
Volw. gewig																				
GDT																				
Kleiber																				
VOV																				
Lengte																				
Hoogte																				
SO																				
OEK																				
TKP																				
Remarks:	Opmerkings: Lig dagha, poenskop. Vaar Taurus bul Golden Boy stam uit Sigidi lyn.																			
Semen skenker:	Nee																			
Toetse:	-																			
Inent.:	-																			

LOT 161

0442495, S.A. WELZ, POSBUS 521695, SAXONWOLD, 2132, (T)011-447 2858



Name Ident. number Sex Section Reg. number Birth Date
BLOMVLEI SW 120056 MALE B 0076047927 29-OCT-12

12 0056

DNA: -

BLOMVLEI SW 120056 - B P
 0076047927 - 29-OCT-12 4%

BLOMVLEI SW 080008 - SP P
 0066297607 - 15-APR-08 6%

BLOMVLEI SW 060075 - A -
 0067874933 - 03-NOV-06 2%

AFC - ICP 371
 RI 115 Avg. Wt/Calf: 116 / 4
 Age / Calves 8j. 7md. / 6

PISIRI PS 020118 - SP -
 0047280979 - 24-SEP-02 11%

ZW BOOMERANG BG 990101 - SP -
 0044846087 - 10-DEC-99 7%

AFC 35.3 ICP 419
 RI 102 Avg. Wt/Calf: 92 / 11
 Age / Calves 16j. 4md. / 12

MOTSWIRI AJB 020021 - B -
 0046814281 - 24-SEP-02 5%

BLOMVLEI SW 020058 - A -
 0046621314 - 06-OCT-02 0%

AFC - ICP 428
 RI 102 Avg. Wt/Calf: 96 / 1
 Age / Calves 6j. 1md. / 2

SIGIDI HKL 972004 - SP -
 0040707440 - 25-NOV-97 7%

LARYN JM 940042 - SP -
 0032701526 - 28-OCT-94 9%

ZW BOOMERANG BG 930025 - SP -
 0037012291 - 12-NOV-93 4%

ZW BOOMERANG BG 890115 - SP -
 0044844918 - 05-JAN-90 3%

ZW BOOMERANG BG 950027 - SP -
 0043247139 - 04-NOV-95 3%

MOTSWIRI AJB 960101 - A -
 0042274480 - 10-OCT-96 0%

---- -
 --- -%

- HT 990005 - SP -
 0044845857 - 16-MAY-99 2%

Selection value	CALVING EASE ☆☆		MILK ☆☆☆		CALF GRWTH. ☆☆☆☆		MAINTENANCE ☆☆		GROWTH TEST					FERTILITY ☆☆☆			COW VALUE ☆☆☆	GROWTH VALUE ☆☆☆☆	PRODUCTION VALUE ☆☆☆
	74 ₇₁	98 ₅₆	121 ₆₉	78 ₂₀						106 ₂₂									
Birth wght	Birth Mat	Milk	Wean wght	Post wean	Mature wght	ADG	Kleiber	FCR	Length	Height	SC	AFC	ICP	☆☆☆	☆☆☆☆	☆☆☆			
74	103	98	121	117	122	121	119	-	41	118	118	89	110	☆☆☆	☆☆☆☆	☆☆☆			
2.72 ₇₃	.07 ₅₂	1.4 ₅₆	10.6 ₆₉	16.5 ₆₂	32 ₂₀	155 ₁₈	45 ₁₈	-	41 ₁₇	24 ₁₉	19.6 ₂₄	8.2 ₃₂	-4.3 ₁₃						
36(7.3%)			213 (121)	211(117)	257(108)														
Remarks: Yellow polled bull. Excellent indices. Sigidi ancestry to Guyu Sam														Semen donor: No Tests: - Vacc. -					

LOT 162

0442495, S.A. WELZ, POSBUS 521695, SAXONWOLD, 2132, (T)011-447 2858



Naam Ident. nommer Geslag Afdeling Reg. nommer Geboorte Datum
BLOMVLEI SW 120002 MANLIK SP 0074865387 06-JAN-12

120002

DNS: UP1492/12

BLOMVLEI SW 120002 - SP P
 0074865387 - 06-JAN-12 3%

BLOMVLEI SW 070044 - SP SC
 0065591075 - 02-SEP-07 7%

BLOMVLEI SW 960019 - SP -
 0037302429 - 19-NOV-96 4%

OEK 35.1 TKP 405
 RI 105 Gem SI/Kalf: 102 / 12
 Oud. / Kalwers 15j. 10md. / 12

MEGA M 040002 - SP P
 0048821524 - 14-MAR-04 5%

ZW BOOMERANG BG 900039 - SP -
 0028628998 - 11-OCT-90 1%

OEK 36.4 TKP 374
 RI 110 Gem SI/Kalf: 102 / 15
 Oud. / Kalwers 19j. 6md. / 15

BLOMVLEI SW 940004 - SP -
 0029912011 - 05-MAY-94 3%

- J 921737 - SP -
 0033734104 - 28-OCT-92 11%

OEK - TKP 493
 RI 87 Gem SI/Kalf: 106 / 1
 Oud. / Kalwers 8j. 8md. / 3

ZW BOOMERANG BG 940025 - SP -
 0036749745 - 04-OCT-94 3%

ZW BOOMERANG BG 980087 - SP -
 0044845733 - 22-OCT-98 6%

ZW BOOMERANG BG 810027 - SP -
 0043568757 - 17-SEP-81 0%

ZW BOOMERANG BG 840132 - SP -
 0046166294 - 06-OCT-84 14%

LANGLYF AJR 880009 - SP -
 0017767930 - 03-JUL-88 6%

ZW BOOMERANG BG 900061 - SP -
 0028629020 - 08-NOV-90 0%

- 84-0892J - SP -
 0035211739 - 31-AUG-84 6%

- J 871071 - SP -
 0046186045 - 01-AUG-87 5%

Seleksie waarde	KALF GEMAK ☆☆☆		MELK ☆☆☆		KALFGROEI ☆☆☆		ONDERHOUD ☆☆☆		GROEI TOETS					VRUGBAARHEID ☆☆☆			KOEI WAARDE ☆☆☆	GROEI WAARDE - .	PRODUKSIE WAARDE - .
	100 ₇₃	106 ₆₀	100 ₇₂	98 ₂₃						106 ₃₂									
Geb gew	Geb Mat	Melk	Speen gew	Naspeen	Volw. gewig	GDT	Kleiber	VOV	Lengte	Hoogte	SO	OEK	TKP	☆☆☆					
98	107	106	100	93	102	107	107	-	106	114	110	111	103	☆☆☆					
.76 ₇₅	-.09 ₅₇	3.6 ₆₀	3.5 ₇₂	2.7 ₆₄	11 ₂₃	111 ₁₀	30 ₁₀	-	29 ₁₄	21 ₁₆	16.4 ₁₆	11.4 ₄₄	-2.6 ₂₁						
35(6.4%)			172 (101)	169 (82)	228 (91)														
Opmerkings: Tattoo 11-98 vir reeksnr in teeliseisoen. Donkerrooi. Ultstekende ma en ouma. Poenskop														Semen skenker: Nee Toetse: - Inent. -					

LOT 163

0442495, S.A. WELZ, POSBUS 521695, SAXONWOLD, 2132, (T)011-447 2858



Name Ident. number Sex Section Reg. number Birth Date
BLOMVLEI SW 120008 MALE SP 0075159145 25-APR-12

12 0008

DNA: -

BLOMVLEI SW 120008 - SP SC
 0075159145 - 25-APR-12 7%

BLOMVLEI SW 080043 - SP P
 0068334176 - 19-AUG-08 4%

NONNIE CR 010015 - SP P
 0044826162 - 25-JUL-01 12%

- LB 950058 - SP -
 0039643572 - 23-OCT-95 4%

AFC - ICP 481
 RI 91 Avg. Wt/Calf: 111 / 8
 Age / Calves 15j. 3md. / 8

ZW BOOMERANG BG 850108 - SP -
 0022173868 - 17-DEC-85 9%

ZW BOOMERANG BG 990093 - SP -
 0044846079 - 27-JAN-00 3%

AFC 38.1 ICP 416
 RI 100 Avg. Wt/Calf: 108 / 10
 Age / Calves 13j. 7md. / 10

ZW BOOMERANG BG 860039 - SP -
 0044844504 - 04-DEC-86 0%

AFC 46.7 ICP 564
 RI 67 Avg. Wt/Calf: / 0
 Age / Calves 19j. 12md. / 7

NONNIE CR 960004 - SP -

0036882744 - 29-JUL-96 7%

NONNIE CR 960001 - SP -

0035540202 - 20-MAR-96 6%

ZW LEBAR LB9239 - - -

0045056777 - 14-OCT-92 11%

- LB 870127 - SP -

0046193637 - 23-NOV-87 0%

ZW GUYU GU 782187 - SP -

0043293034 - 30-OCT-78 10%

ZW BOOMERANG BG 780147 - A -

0044993228 - 30-SEP-78 4%

ZW BOOMERANG BG 760003 - SP -

0043293026 - 17-OCT-76 0%

ZW BOOMERANG BG 810287 - SP -

0044844298 - 13-NOV-81 0%

Selection value	CALVING EASE ★★		MILK ★★★★		CALF GRWTH. ★★★★		MAINTENANCE ★★★★		GROWTH TEST					FERTILITY ★★★			COW VALUE ★★★★	GROWTH VALUE	PRODUCTION VALUE
	84 ⁷²	120 ⁶⁰	108 ⁷¹	101 ²³	ADG		Kleiber	FCR	Length	Height	SC	AFC	ICP	107 ³²					
Birth wght	Birth Mat	Milk	Wean wght	Post wean	Mature wght	ADG	Kleiber	FCR	Length	Height	SC	AFC	ICP	113 ⁴⁵	-	-			
86	92	120	108	108	99	108	103	-	108	110	114	94	109	-	-				
1.77 ⁷³	.41 ⁵⁸	7.8 ⁶⁰	6.1 ⁷¹	11.4 ⁶⁴	8 ²³	115 ⁹	25 ⁹	-	30 ¹³	19 ¹⁵	17.8 ¹⁶	4.4 ⁴³	-4.1 ²²	Semen donor: No					
37(6%)			186 (104)	281(118)	310(112)									Tests: -					
Remarks: Historic genetics. Excellent indexes. Dagha & small scur														Vacc. -					

LOT 164

0442495, S.A. WELZ, POSBUS 521695, SAXONWOLD, 2132, (T)011-447 2858



Naam Ident. nommer Geslag Afdeling Reg. nommer Geboorte Datum
BLOMVLEI SW 100052 MANLIK SP 0071976781 03-NOV-10

100052

DNS: P2213/14

BLOMVLEI SW 100052 - SP P
 0071976781 - 03-NOV-10 4%

BLOMVLEI SW 070050 - B P
 0065616161 - 22-SEP-07 1%

MEGA M 040002 - SP P
 0048821524 - 14-MAR-04 5%

BLOMVLEI SW 040075 - A H
 0049135528 - 07-OCT-04 0%

OEK - TKP 454
 RI 96 Gem SI/Kalf: 106 / 6
 Oud. / Kalwers 11j. 6md. / 7

NONNIE CR 010015 - SP P
 0044826162 - 25-JUL-01 12%

BLOMVLEI SW 050015 - SP P
 0060017902 - 10-APR-05 5%

OEK 36 TKP 430
 RI 97 Gem SI/Kalf: 99 / 4
 Oud. / Kalwers 7j. 6md. / 4

BLOMVLEI SW 960004 - SP -
 0037212685 - 25-OCT-96 3%

OEK 35.3 TKP 400
 RI 105 Gem SI/Kalf: 106 / 12
 Oud. / Kalwers 15j. 11md. / 12

ZW BOOMERANG BG 940025 - SP -

0036749745 - 04-OCT-94 3%

ZW BOOMERANG BG 980087 - SP -

0044845733 - 22-OCT-98 6%

BUROWILL ASE 990042 - A -

0042471466 - 07-OCT-99 0%

NONNIE CR 960004 - SP -

0036882744 - 29-JUL-96 7%

NONNIE CR 960001 - SP -

0035540202 - 20-MAR-96 6%

- J 922802 - SP -

0033733973 - 26-JUN-92 11%

ZW BOOMERANG BG 900039 - SP -

0028628998 - 11-OCT-90 1%

Seleksie waarde	KALF GEMAK ★☆☆		MELK ★★★★		KALFGROEI ★★★★		ONDERHOUD ★★★★		GROEI TOETS					VRUGBAARHEID ★★			KOEI WAARDE ★★	GROEI WAARDE	PRODUKSIE WAARDE
	78 ⁸⁴	107 ⁶⁷	102 ⁷⁸	107 ²⁷	GDT		Kleiber	VOV	Lengte	Hoogte	SO	OEK	TKP	89 ³²					
Geb gew	Geb Mat	Melk	Speen gew	Naspeen	Volw. gewig	GDT	Kleiber	VOV	Lengte	Hoogte	SO	OEK	TKP	89 ⁵⁰	-	-			
78	99	107	102	93	99	102	-	-	97	100	110	79	95	-	-				
2.36 ⁸⁶	.19 ⁷⁰	3.9 ⁶⁷	4.1 ⁷⁸	7.9 ⁶⁸	1 ²⁷	89 ¹³	23 ¹³	-	21 ¹⁷	13 ¹⁹	11.7 ¹⁹	17.7 ⁴³	-6 ²⁰	Semen skenker: Nee					
35(8.5%)			187 (96)	219 (96)	318(102)									Toetse: -					
Opmerkings: Stoetvaar. Yellow Polled bull.														Inent. -					

LOT 165

0442495, S.A. WELZ, POSBUS 521695, SAXONWOLD, 2132, (T)011-447 2858



Name Ident. number Sex Section Reg. number Birth Date
BLOMVLEI SW 120012 MALE SP 0075159186 09-MAY-12

12 0012

DNA: -

BLOMVLEI SW 120012 - SP P
 0075159186 - 09-MAY-12 6%

BLOMVLEI SW 080043 - SP P
 0068334176 - 19-AUG-08 4%

NONNIE CR 010015 - SP P
 0044826162 - 25-JUL-01 12%

- LB 950058 - SP -
 0039643572 - 23-OCT-95 4%

AFC - ICP 481
 RI 91 Avg. Wt/Calf: 111 / 8
 Age / Calves 15j. 3md. / 8

ZW BOOMERANG BG 850108 - SP -
 0022173868 - 17-DEC-85 9%

ZW BOOMERANG BG 990153 - SP -
 0044846160 - 25-JAN-00 3%

AFC 32.7 ICP 388
 RI 109 Avg. Wt/Calf: 98 / 10
 Age / Calves 14j. 5md. / 12

ZW BOOMERANG BG 870073 - SP -
 0044844603 - 07-NOV-87 0%

AFC 47 ICP 505
 RI 77 Avg. Wt/Calf: / 0
 Age / Calves 19j. 12md. / 7

NONNIE CR 960004 - SP -
 0036882744 - 29-JUL-96 7%

NONNIE CR 960001 - SP -
 0035540202 - 20-MAR-96 6%

ZW LEBAR LB9239 - - -
 0045056777 - 14-OCT-92 11%

- LB 870127 - SP -
 0046193637 - 23-NOV-87 0%

ZW GUYU GU 782187 - SP -
 0043293034 - 30-OCT-78 10%

ZW BOOMERANG BG 780147 - A -
 0044993228 - 30-SEP-78 4%

ZW BOOMERANG BG 810027 - SP -
 0043568757 - 17-SEP-81 0%

ZW BOOMERANG BG 770264 - SP -
 0044844157 - 15-NOV-77 0%

Selection value	CALVING EASE ☆☆☆		MILK ☆☆☆		CALF GRWTH. ☆☆☆		MAINTENANCE ☆☆☆☆			GROWTH TEST					FERTILITY ☆☆☆			COW VALUE	GROWTH VALUE	PRODUCTION VALUE
	90 ₇₃	101 ₆₀	95 ₇₁	113 ₂₄									106 ₃₂							
Birth wght	Birth Mat	Milk	Wean wght	Post wean	Mature wght	ADG	Kleiber	FCR	Length	Height	SC	AFC	ICP	☆☆☆						
87	120	101	95	84	87	96	95	-	96	99	102	104	105	☆☆☆	93 ₄₆	-	-			
1.65 ₇₅	-.49 ₅₉	2.3 ₆₀	1.4 ₇₁	-2.5 ₆₄	-5 ₂₄	78 ₉	15 ₉	-	20 ₁₂	12 ₁₅	12.5 ₁₆	-5.2 ₄₃	-3.2 ₂₂							
40(7.4%)			170 (91)	216 (85)	245 (84)															
Remarks: Historiese genetica . Dagha. poenskap														Semen donor: No Tests: - Vacc. -						

LOT 166

0442495, S.A. WELZ, POSBUS 521695, SAXONWOLD, 2132, (T)011-447 2858



Naam Ident. nommer Geslag Afdeling Reg. nommer Geboorte Datum
GREAT KAROO XY 120057 MANLIK SP 0076702075 30-SEP-12

XY 120057

DNS: P650/16

GREAT KAROO XY 120057 - SP SC
 0076702075 - 30-SEP-12 6%

AMELIA V 070123 - SP P
 0066389875 - 12-NOV-07 5%

NONNIE CR 030111 - SP P
 0048363642 - 11-DEC-03 6%

AMELIA V 050031 - B P
 0060002813 - 10-MAY-05 3%

OEK 30.1 TKP 368
 RI 114 Gem SI/Kalf: 94 / 6
 Oud. / Kalwers 10j. 1md. / 8

BLOMVLEI SW 020067 - SP -
 0046770160 - 16-OCT-02 10%

AVONDALE ADM 070005 - SP SC
 0064648397 - 05-FEB-07 4%

OEK 34.1 TKP 362
 RI 111 Gem SI/Kalf: 107 / 5
 Oud. / Kalwers 9j. 2md. / 7

AVONDALE ADM 020031 - B -
 0047331483 - 06-SEP-02 0%

OEK 40.1 TKP 356
 RI 110 Gem SI/Kalf: 93 / 8
 Oud. / Kalwers 13j. 7md. / 10

NONNIE CR 960004 - SP -
 0036882744 - 29-JUL-96 7%

- DK 951474 - SP -
 0039643721 - 07-JUL-95 3%

BLOMVLEI SW 950010 - SP -
 0034222281 - 06-AUG-95 7%

AMELIA V 020008 - A -
 0049719420 - 25-FEB-02 0%

- ELK 940506 - SP -
 0041181876 - 04-AUG-94 12%

ZW BOOMERANG BG 900063 - SP -
 0028629038 - 07-NOV-90 4%

AVONDALE ADM 980052 - SP -
 0043316611 - 19-NOV-98 14%

AVONDALE ADM 000040 - A -
 0046940730 - 01-MAY-00 0%

Seleksie waarde	KALF GEMAK ☆☆☆		MELK ☆☆☆		KALFGROEI ☆☆☆☆		ONDERHOUD ☆☆☆			GROEI TOETS					VRUGBAARHEID ☆☆☆☆			KOEI WAARDE	GROEI WAARDE	PRODUKSIE WAARDE
	90 ₇₃	94 ₆₁	132 ₇₃	95 ₂₃									123 ₃₀							
Geb gew	Geb Mat	Melk	Speen gew	Naspeen	Volw. gewig	GDT	Kleiber	VOV	Lengte	Hoogte	SO	OEK	TKP	☆☆☆☆	☆☆☆	☆☆☆☆				
87	130	94	132	123	105	126	118	-	129	120	129	88	129	☆☆☆☆	☆☆☆	☆☆☆☆				
1.66 ₇₅	-.84 ₅₈	.3 ₆₁	14.6 ₇₃	19.6 ₆₃	14 ₂₃	171 ₃₁	44 ₃₁	-	48 ₃₇	25 ₄₀	24.8 ₃₉	9.7 ₄₁	-9.1 ₁₉							
36(8.8%)			262 (130)	339(123)	478(112)															
Opmerkings: Yellow polled bull.														Semen skenker: Nee Toetse: - Inent. -						

LOT 167

0442495, S.A. WELZ, POSBUS 521695, SAXONWOLD, 2132, (T)011-447 2858



Name Ident. number Sex Section Reg. number Birth Date
BLOMVLEI SW 130003 MALE SP 0077999456 28-MAY-13

130003

DNA: -

BLOMVLEI SW 130003 - SP P
 0077999456 - 28-MAY-13 7%

BLOMVLEI SW 060039 - SP P
 0063613590 - 02-SEP-06 4%

ZW BOOMERANG BG 990058 - SP -
 0044846046 - 06-DEC-99 8%
 AFC 40 ICP 410
 RI 101 Avg. Wt/Calf: 93 / 11
 Age / Calves 15j. 2md. / 11

MOTSWIRI AJB 020021 - B -
 0046814281 - 24-SEP-02 5%

- HT 990005 - SP -
 0044845857 - 16-MAY-99 2%
 AFC - ICP 433
 RI 93 Avg. Wt/Calf: 100 / 7
 Age / Calves 12j. 12md. / 7

ZW BOOMERANG BG 930025 - SP -
 0037012291 - 12-NOV-93 4%

ZW BOOMERANG BG 930083 - SP -
 0044845295 - 31-DEC-93 5%
 AFC 33.5 ICP 382
 RI 106 Avg. Wt/Calf: / 0
 Age / Calves 17j. 5md. / 4

ZW BOOMERANG BG 950027 - SP -
 0043247139 - 04-NOV-95 3%

MOTSWIRI AJB 960101 - A -
 0042274480 - 10-OCT-96 0%

ZW BOOMERANG BG 950103 - SP -
 0044845451 - 25-NOV-95 4%

- HT 950030 - SP -
 0044845428 - 21-NOV-95 0%

ZW BOOMERANG BG 840221 - SP -
 0043293091 - 17-NOV-84 2%

ZW BOOMERANG BG 830154 - SP -
 0039595921 - 08-NOV-83 2%

ZW BOOMERANG BG 850108 - SP -
 0022173868 - 17-DEC-85 9%

ZW BOOMERANG BG 830180 - SP -
 0044844389 - 14-NOV-83 1%

Selection value	CALVING EASE ★★★		MILK ★★★		CALF GRWTH. ★★		MAINTENANCE ★★★★			GROWTH TEST					FERTILITY ★★★			COW VALUE	GROWTH VALUE	PRODUCTION VALUE
	107 ₇₃	95 ₆₁	86 ₇₂	110 ₂₄	ADG	Kleiber	FCR	Length	Height	SC	AFC	ICP	103 ₃₂							
Birth wght	101	95	86	86	86	90	101	110	-	95	96	98	103	102	92 ₄₆	99 ₂₄	96 ₄₂			
Birth Mat	.14 ₇₅	.11 ₅₉	.5 ₆₁	-1.7 ₇₂	-1 ₆₅	-1 ₂₄	93 ₂₁	34 ₂₁	-	19 ₂₁	10 ₂₃	10.6 ₂₈	-4.3 ₄₅	-2.4 ₂₀	Semen donor: No					
Weight/Calves	32(6.9%)		159 (86)	243 (89)	303 (93)										Tests: -					
Remarks:	Rooi poenskop,														Vacc. -					

LOT 168

0442495, S.A. WELZ, POSBUS 521695, SAXONWOLD, 2132, (T)011-447 2858



Naam Ident. nommer Geslag Afdeling Reg. nommer Geboorte Datum
BLOMVLEI SW 120082 MANLIK SP 0076431477 27-NOV-12

SW120082

DNS: -

BLOMVLEI SW 120082 - SP SC
 0076431477 - 27-NOV-12 4%

BLOMVLEI SW 080032 - SP P
 0066645953 - 26-MAY-08 6%

BLOMVLEI SW 080058 - B P
 0067146282 - 29-SEP-08 2%
 OEK 35 TKP 384
 RI 105 Gem SI/Kalf: 94 / 3
 Oud. / Kalwers 7j. 6md. / 5

PISIRI PS 020118 - SP -
 0047280979 - 24-SEP-02 11%

BLOMVLEI SW 050040 - SP P
 0060013364 - 23-MAY-05 4%
 OEK 36.1 TKP 489
 RI 89 Gem SI/Kalf: 112 / 5
 Oud. / Kalwers 9j. 1md. / 5

GENERAALSDRAAI H 030074 - SP -
 0048220511 - 23-OCT-03 5%

BLOMVLEI SW 030031 - A -
 0047516190 - 09-SEP-03 0%
 OEK - TKP 386
 RI 111 Gem SI/Kalf: 92 / 2
 Oud. / Kalwers 8j. 10md. / 3

SIGIDI HKL 972004 - SP -
 0040707440 - 25-NOV-97 7%

LARYN JM 940042 - SP -
 0032701526 - 28-OCT-94 9%

NONNIE CR 010015 - SP P
 0044826162 - 25-JUL-01 12%

- LB 950058 - SP -
 0039643572 - 23-OCT-95 4%

NONNIE CR 990035 - SP -
 0042514281 - 14-SEP-99 7%

GENERAALSDRAAI H 940065 - B -
 0033807272 - 21-DEC-94 0%

--- -
 --- -

ZW BOOMERANG BG 900039 - SP -
 0028628998 - 11-OCT-90 1%

Seleksie waarde	KALF GEMAK ★★		MELK ★★		KALFGROEI ★★★★		ONDERHOUD ★★★			GROEI TOETS					VRUGBAARHEID ★★★★			KOEI WAARDE	GROEI WAARDE	PRODUKSIE WAARDE
	79 ₇₂	85 ₅₈	113 ₇₁	91 ₁₉	GDT	Kleiber	VOV	Lengte	Hoogte	SO	OEK	TKP	120 ₂₅							
Geb gew	76	119	85	113	107	109	104	101	-	106	107	109	94	124	86 ₄₂	-	-			
Geb Mat	2.52 ₇₄	-.47 ₅₅	-2.5 ₅₈	8 ₇₁	10.7 ₆₃	18 ₁₉	105 ₁₆	22 ₁₆	-	29 ₂₀	17 ₂₂	15.6 ₂₂	4.2 ₃₄	-7.8 ₁₆	Semen skenker: Nee					
Teeltwaarde	37(7.8%)		192 (106)	194(105)	256(107)										Toetse: -					
Gewig/Indeks	Opmerkings: Well balanced dagha bull with small scurs														Inent. -					

LOT 169

0442495, S.A. WELZ, POSBUS 521695, SAXONWOLD, 2132, (T)011-447 2858



Name Ident. number Sex Section Reg. number Birth Date
BLOMVLEI SW 100018 MALE SP 0071011761 25-MAY-10

10 0018

DNA: P2913/15

BLOMVLEI SW 100018 - SP P
 0071011761 - 25-MAY-10 5%

BLOMVLEI SW 060039 - SP P
 0063613590 - 02-SEP-06 4%

BLOMVLEI SW 070027 - SP P
 0065551988 - 20-MAY-07 3%

AFC 36.2 ICP 447
 RI 94 Avg. Wt/Calf: 95 / 2
 Age / Calves 6j. 3md. / 13

MOTSWIRI AJB 020021 - B -
 0046814281 - 24-SEP-02 5%

- HT 990005 - SP -
 0044845857 - 16-MAY-99 2%

AFC - ICP 433
 RI 93 Avg. Wt/Calf: 100 / 7
 Age / Calves 12j. 12md. / 7

- DK 952394 - SP -
 0039643861 - 04-MAY-95 3%

ZW BOOMERANG BG 900007 - SP -
 0028628956 - 12-OCT-90 1%

AFC 38.7 ICP 395
 RI 105 Avg. Wt/Calf: 98 / 11
 Age / Calves 17j. 7md. / 13

ZW BOOMERANG BG 950027 - SP -
 0043247139 - 04-NOV-95 3%

MOTSWIRI AJB 960101 - A -
 0042274480 - 10-OCT-96 0%

ZW BOOMERANG BG 950103 - SP -
 0044845451 - 25-NOV-95 4%

- HT 950030 - SP -
 0044845428 - 21-NOV-95 0%

ZW BOOMERANG BG 790286 - A -
 0045059433 - 30-NOV-79 4%

- DK 921254 - SP -
 0046238598 - 21-AUG-92 4%

ZW BOOMERANG BG 760003 - SP -
 0043293026 - 17-OCT-76 0%

ZW BOOMERANG BG 810185 - A -
 0046213682 - 26-OCT-81 0%

Selection value	CALVING EASE ★★★★		MILK ★★★		CALF GRWTH. ★★		MAINTENANCE ★★★★			GROWTH TEST					FERTILITY ★★			COW VALUE ★★★	GROWTH VALUE ★★★★	PRODUCTION VALUE ★★★★
	124 ₇₉	101 ₆₀	85 ₇₀	113 ₂₅	GROWTH TEST		FERTILITY			80 ₃₄										
Birth wght	Birth Mat	Milk	Wean wght	Post wean	Mature wght	ADG	Kleiber	FCR	Length	Height	SC	AFC	ICP	★★★	★★★★	★★★★				
121	113	101	85	88	87	110	117	-	105	108	103	103	77	106 ₄₇	112 ₂₄	111 ₄₂				
-1.08 ₈₁	-.28 ₆₅	2.3 ₆₀	-2 ₇₀	0 ₆₄	-5 ₂₅	120 ₂₂	43 ₂₂	-	28 ₂₂	18 ₂₄	12.8 ₂₈	-3.7 ₄₆	3.9 ₂₁	Semen donor: No Tests: -						
28(7%)														Vacc. -						
Remarks: Used in Stud. Yellow, well-muscled, polled. Sire Taurus bull Rebel.																				

LOT 170

0442495, S.A. WELZ, POSBUS 521695, SAXONWOLD, 2132, (T)011-447 2858



Naam Ident. nommer Geslag Afdeling Reg. nommer Geboorte Datum
BLOMVLEI SW 120019 MANLIK SP 0075475723 26-MAY-12

12 0019

DNS: -

BLOMVLEI SW 120019 - SP P
 0075475723 - 26-MAY-12 3%

BLOMVLEI SW 070050 - B P
 0065616161 - 22-SEP-07 1%

BLOMVLEI SW 960022 - SP -
 0037526936 - 21-DEC-96 10%

OEK 33.9 TKP 460
 RI 95 Gem SI/Kalf: 105 / 10
 Oud. / Kalwers 16j. 5md. / 11

MEGA M 040002 - SP P
 0048821524 - 14-MAR-04 5%

BLOMVLEI SW 040075 - A H
 0049135528 - 07-OCT-04 0%

OEK - TKP 454
 RI 96 Gem SI/Kalf: 106 / 6
 Oud. / Kalwers 11j. 6md. / 7

- J 922802 - SP -
 0033733973 - 26-JUN-92 11%

- J 921708 - SP -
 0033734088 - 19-JUL-92 10%

OEK - TKP 531
 RI 78 Gem SI/Kalf: 100 / 3
 Oud. / Kalwers 7j. 1md. / 13

ZW BOOMERANG BG 940025 - SP -
 0036749745 - 04-OCT-94 3%

ZW BOOMERANG BG 980087 - SP -
 0044845733 - 22-OCT-98 6%

BUROWILL ASE 990042 - A -
 0042471466 - 07-OCT-99 0%

- 84-0892J - SP -
 0035211739 - 31-AUG-84 6%

- J 851923 - SP -
 0046171344 - 19-SEP-85 5%

- DK 852501 - SP -
 0035211721 - 01-AUG-85 9%

- J 871101 - SP -
 0046186698 - 23-AUG-87 11%

Seleksie waarde	KALF GEMAK ★★★		MELK ★★★★		KALFGROEI ★★★		ONDERHOUD ★★★★			GROEI TOETS					VRUGBAARHEID ★★			KOEI WAARDE ★★★	GROEI WAARDE ★★★★	PRODUKSIE WAARDE ★★★★
	94 ₇₂	113 ₅₁	90 ₅₉	115 ₂₃	GROEI TOETS		VRUGBAARHEID			72 ₃₂										
Geb gew	Geb Mat	Melk	Speen gew	Naspeen	Volw. gewig	GDT	Kleiber	VOV	Lengte	Hoogte	SO	OEK	TKP	★★★	★★★★	★★★★				
97	82	113	90	92	85	97	99	-	96	98	100	68	79	95 ₄₁	97 ₂₁	95 ₃₇				
.88 ₇₄	.74 ₅₇	5.8 ₅₁	-.1 ₅₉	2.3 ₅₄	-7 ₂₃	82 ₁₆	20 ₁₈	-	21 ₂₂	12 ₂₄	11.7 ₂₄	27.2 ₄₃	3.3 ₂₁	Semen skenker: Nee Toetse: -						
36(7.2%)														Inent. -						
Opmerkings: Donker geel. Poens																				

LOT 171

0442495, S.A. WELZ, POSBUS 521695, SAXONWOLD, 2132, (T)011-447 2858



Name Ident. number Sex Section Reg. number Birth Date
BLOMVLEI SW 130026 MALE SP 0078645090 11-SEP-13

SW 130026

DNA: -

BLOMVLEI SW 130026 - SP SC
 0078645090 - 11-SEP-13 5%

BLOMVLEI SW 060039 - SP P
 0063613590 - 02-SEP-06 4%

BLOMVLEI SW 100046 - SP H
 0071680433 - 14-OCT-10 5%

AFC 34.9 ICP 454
 RI 95 Avg. Wt/Calf: 109 / 2
 Age / Calves 5j. 6md. / 2

MOTSWIRI AJB 020021 - B -
 0046814281 - 24-SEP-02 5%

- HT 990005 - SP -
 0044845857 - 16-MAY-99 2%

AFC - ICP 433
 RI 93 Avg. Wt/Calf: 100 / 7
 Age / Calves 12j. 12md. / 7

MEGA M 030004 - SP P
 0048821201 - 23-FEB-03 10%

BLOMVLEI SW 060066 - B H
 0063613541 - 23-OCT-06 5%

AFC 34.9 ICP 393
 RI 101 Avg. Wt/Calf: 113 / 3
 Age / Calves 5j. 11md. / 3

ZW BOOMERANG BG 950027 - SP -
 0043247139 - 04-NOV-95 3%

MOTSWIRI AJB 960101 - A -
 0042274480 - 10-OCT-96 0%

ZW BOOMERANG BG 950103 - SP -
 0044845451 - 25-NOV-95 4%

- HT 950030 - SP -
 0044845428 - 21-NOV-95 0%

ZW BOOMERANG BG 940025 - SP -
 0036749745 - 04-OCT-94 3%

ZW BOOMERANG BG 980107 - SP -
 0044845782 - 07-NOV-98 3%

NONNIE CR 010015 - SP P
 0044826162 - 25-JUL-01 12%

BLOMVLEI SW 980045 - A -
 0043368414 - 02-NOV-98 7%

Selection value	CALVING EASE ☆☆☆		MILK ☆☆☆☆		CALF GRWTH. ☆☆☆☆		MAINTENANCE ☆☆☆		GROWTH TEST					FERTILITY ☆☆☆			COW VALUE ☆☆☆☆	GROWTH VALUE ☆☆☆☆	PRODUCTION VALUE ☆☆☆☆
	99 ₇₃	110 ₅₈	113 ₆₈	100 ₂₂	ADG	Kleiber	FCR	Length	Height	SC	AFC	ICP	106 ₂₈	121 ₄₃	110 ₂₀	117 ₃₈			
Birth wght	121	110	113	109	116	117	-	113	107	112	105	105	121 ₄₃	110 ₂₀	117 ₃₈				
Birth Mat	-.56 ₅₈	4.9 ₅₈	7.8 ₆₈	12 ₅₇	8 ₂₂	139 ₁₇	42 ₁₇	-	35 ₁₇	17 ₂₀	17.1 ₂₃	-6 ₄₁	-3 ₁₄						
Milk																			
Wean wght			214 (115)	214(116)	294(111)														
Post wean																			
Mature wght																			

Remarks: Red bull with small scur. Exceptional breeding values.

Semen donor: No
 Tests: -
 Vacc. -

LOT 172

0442495, S.A. WELZ, POSBUS 521695, SAXONWOLD, 2132, (T)011-447 2858



Naam Ident. nommer Geslag Afdeling Reg. nommer Geboorte Datum
HBH HBH 120043 MANLIK SP 0076151315 15-OCT-12

HBH120043

DNS: P651/16

HBH HBH 120043 - SP P
 0076151315 - 15-OCT-12 5%

GENERAALSDRAAI H 050089 - SP P
 0062490305 - 11-NOV-05 4%

HBH HBH 060997 - B -
 0063656409 - 19-OCT-06 3%

OEK 35.4 TKP 369
 RI 109 Gem SI/Kalf: 98 / 6
 Oud. / Kalwers 9j. 5md. / 7

GENERAALSDRAAI H 990022 - SP -
 0043347723 - 13-SEP-99 4%

GENERAALSDRAAI H 980036 - SP -
 0042131490 - 26-SEP-98 3%

OEK 36.1 TKP 405
 RI 104 Gem SI/Kalf: 120 / 7
 Oud. / Kalwers 17j. 6md. / 10

NONNIE CR 020004 - SP H
 0045984069 - 09-MAY-02 7%

HBH HBH 990434 - A -
 0042874149 - 07-OCT-99 0%

OEK 35.7 TKP 372
 RI 108 Gem SI/Kalf: 102 / 7
 Oud. / Kalwers 9j. 8md. / 7

NONNIE CR 920018 - SP -
 0027023704 - 14-OCT-92 3%

- J 911618 - SP -
 0033822297 - 27-AUG-91 21%

- LB 950063 - SP -
 0039595962 - 25-OCT-95 4%

GENERAALSDRAAI H 950092 - B -
 0039679055 - 12-DEC-95 0%

NONNIE CR 980030 - SP -
 0040477556 - 18-AUG-98 5%

NONNIE CR 990009 - SP -
 0042300426 - 30-JUL-99 8%

- LB 960145 - SP -
 0041181728 - 23-OCT-96 5%

HBH HBH 920772 - BS -
 0036630671 - 09-SEP-92 0%

Seleksie waarde	KALF GEMAK ☆☆☆		MELK ☆☆☆☆		KALFGROEI ☆☆☆		ONDERHOUD ☆☆		GROEI TOETS					VRUGBAARHEID ☆☆☆☆			KOEI WAARDE ☆☆☆☆	GROEI WAARDE ☆☆☆	PRODUKSIE WAARDE ☆☆☆☆
	105 ₈₂	113 ₆₅	102 ₇₅	76 ₃₂	GDT	Kleiber	VOV	Lengte	Hoogte	SO	OEK	TKP	113 ₄₀	113 ₅₂	108 ₆₈	112 ₅₅			
Geb gew	104	113	102	109	124	107	104	-	105	85	105	115	110	113 ₅₂	108 ₆₈	112 ₅₅			
Geb Mat	.33 ₈₃	5.8 ₆₅	4.2 ₇₅	11.5 ₆₈	34 ₃₂	112 ₆₄	26 ₆₄	-	28 ₇₁	4 ₇₄	13.7 ₇₂	-14.7 ₅₁	-4.3 ₂₈						
Melk																			
Speen gew			193 (93)	415 (96)	415 (96)														
Naspeen																			
Volw. gewig																			

Opmerkings: Stud sire. Dark yellow, polled. Son of Buffel. Excellent breeding values

Semen skenker: Nee
 Toetse: -
 Inent. -

LOT 173

0442495, S.A. WELZ, POSBUS 521695, SAXONWOLD, 2132, (T)011-447 2858



Name Ident. number Sex Section Reg. number Birth Date
BLOMVLEI SW 130005 MALE B 0077999464 29-MAY-13

130005

DNA: P652/16

BLOMVLEI SW 130005 - B P
 0077999464 - 29-MAY-13 2%

BLOMVLEI SW 060039 - SP P
 0063613590 - 02-SEP-06 4%

BLOMVLEI SW 070003 - A -
 0067874982 - 15-MAR-07 0%

AFC - ICP 432
 RI 101 Avg. Wt/Calf: 106 / 4
 Age / Calves 9j. 1md. / 5

MOTSWIRI AJB 020021 - B -
 0046814281 - 24-SEP-02 5%

- HT 990005 - SP -
 0044845857 - 16-MAY-99 2%

AFC - ICP 433
 RI 93 Avg. Wt/Calf: 100 / 7
 Age / Calves 12j. 12md. / 7

PISIRI PS 020118 - SP -
 0047280979 - 24-SEP-02 11%

---- -
 --- -%
 --- -%
 --- -%

Avg. Wt/Calf: -

ZW BOOMERANG BG 950027 - SP -
 0043247139 - 04-NOV-95 3%

MOTSWIRI AJB 960101 - A -
 0042274480 - 10-OCT-96 0%

ZW BOOMERANG BG 950103 - SP -
 0044845451 - 25-NOV-95 4%

- HT 950030 - SP -
 0044845428 - 21-NOV-95 0%

SIGIDI HKL 972004 - SP -
 0040707440 - 25-NOV-97 7%

LARYN JM 940042 - SP -
 0032701526 - 28-OCT-94 9%

---- -
 --- -%
 --- -%
 --- -%

Selection value	CALVING EASE ☆☆☆		MILK ☆☆☆		CALF GRWTH. ☆☆☆☆		MAINTENANCE ☆☆☆			GROWTH TEST					FERTILITY ☆☆☆			COW VALUE	GROWTH VALUE	PRODUCTION VALUE
	92 ₇₁	104 ₅₉	110 ₇₀	99 ₂₂						100 ₂₈										
Birth wght	Birth Mat	Milk	Wean wght	Post wean	Mature wght	ADG	Kleiber	FCR	Length	Height	SC	AFC	ICP	☆☆☆	☆☆☆☆	☆☆☆☆				
89	123	104	110	100	101	122	124	-	118	119	119	106	98	106 ₄₃	114 ₂₆	112 ₄₀				
1.52 ₇₃	-.61 ₅₇	3.1 ₅₉	6.8 ₇₀	6.6 ₆₄	10 ₂₂	156 ₂₄	51 ₂₄	-	39 ₂₅	24 ₂₇	20 ₂₉	-7 ₃₉	-1.3 ₁₇	Semen donor: No						
34(6.7%)			191 (106)	264 (97)	325(100)									Tests: -						
Remarks: Netjiese rooi poenskap. In stoet gebruik. Ultstekende teelwaardes														Vacc. -						

LOT 174

0442495, S.A. WELZ, POSBUS 521695, SAXONWOLD, 2132, (T)011-447 2858



Naam Ident. nommer Geslag Afdeling Reg. nommer Geboorte Datum
BLOMVLEI SW 130057 MANLIK B 0078645686 23-OCT-13

SW 130057

DNS: -

BLOMVLEI SW 130057 - B H
 0078645686 - 23-OCT-13 3%

BLOMVLEI SW 090025 - SP P
 0068916790 - 08-JUN-09 4%

BLOMVLEI SW 090060 - A -
 0076413855 - 09-OCT-09 0%

OEK - TKP 385
 RI 111 Gem SI/Kalf: 94 / 3
 Oud. / Kalwers 6j. 4md. / 3

MEGA M 030004 - SP P
 0048821201 - 23-FEB-03 10%

BLOMVLEI SW 960022 - SP -
 0037526936 - 21-DEC-96 10%

OEK 33.9 TKP 460
 RI 95 Gem SI/Kalf: 105 / 10
 Oud. / Kalwers 16j. 5md. / 11

NONNIE CR 010015 - SP P
 0044826162 - 25-JUL-01 12%

---- -
 --- -%
 --- -%
 --- -%

Gem SI/Kalf: -

ZW BOOMERANG BG 940025 - SP -
 0036749745 - 04-OCT-94 3%

ZW BOOMERANG BG 980107 - SP -
 0044845782 - 07-NOV-98 3%

- J 922802 - SP -
 0033733973 - 26-JUN-92 11%

- J 921708 - SP -
 0033734088 - 19-JUL-92 10%

NONNIE CR 960004 - SP -
 0036882744 - 29-JUL-96 7%

NONNIE CR 960001 - SP -
 0035540202 - 20-MAR-96 6%

---- -
 --- -%
 --- -%
 --- -%

Seleksie waarde	KALF GEMAK ☆☆☆☆		MELK ☆☆☆		KALFGROEI ☆☆		ONDERHOUD ☆☆☆☆			GROEI TOETS					VRUGBAARHEID ☆☆☆☆			KOEI WAARDE	GROEI WAARDE	PRODUKSIE WAARDE
	110 ₇₀	106 ₅₅	83 ₆₈	120 ₁₆						110 ₂₂										
Geb gew	Geb Mat	Melk	Speen gew	Naspeen	Volw. gewig	GDT	Kleiber	VOV	Lengte	Hoogte	SO	OEK	TKP	☆☆☆	-	-				
110	96	106	83	79	80	95	97	-	93	96	93	120	105	104 ₃₉	-	-				
-.14 ₇₂	.28 ₅₂	3.7 ₅₅	-2.9 ₆₈	-5 ₆₀	-13 ₁₆	76 ₁₂	17 ₁₂	-	17 ₁₅	10 ₁₇	8.4 ₁₇	-18.8 ₃₀	-3 ₁₅	Semen skenker: Nee						
29(9.6%)			168 (106)	195(104)	267(100)									Toetse: -						
Opmerkings: Donker geel bul, onthoring.														Inent. -						

LOT 175

0442495, S.A. WELZ, POSBUS 521695, SAXONWOLD, 2132, (T)011-447 2858



Name Ident. number Sex Section Reg. number Birth Date
BLOMVLEI SW 130060 MALE SP 0078645710 27-OCT-13

SW 130060

DNA: -

BLOMVLEI SW 130060 - SP SC
 0078645710 - 27-OCT-13 6%

BLOMVLEI SW 080043 - SP P
 0068334176 - 19-AUG-08 4%

BLOMVLEI SW 080019 - SP P
 0066357526 - 04-MAY-08 5%

AFC 41.6 ICP 377
 RI 96 Avg. Wt/Calf: 95 / 3
 Age / Calves 7j. 11md. / 4

NONNIE CR 010015 - SP P
 0044826162 - 25-JUL-01 12%

- LB 950058 - SP -
 0039643572 - 23-OCT-95 4%

AFC - ICP 481
 RI 91 Avg. Wt/Calf: 111 / 8
 Age / Calves 15j. 3md. / 8

PISIRI PS 020118 - SP -
 0047280979 - 24-SEP-02 11%

- HT 990046 - SP -
 0044846004 - 27-NOV-99 4%

AFC - ICP 413
 RI 103 Avg. Wt/Calf: 89 / 6
 Age / Calves 9j. 4md. / 6

NONNIE CR 960004 - SP -
 0036882744 - 29-JUL-96 7%

NONNIE CR 960001 - SP -
 0035540202 - 20-MAR-96 6%

ZW LEBAR LB9239 - - -
 0045056777 - 14-OCT-92 11%

- LB 870127 - SP -
 0046193637 - 23-NOV-87 0%

SIGIDI HKL 972004 - SP -
 0040707440 - 25-NOV-97 7%

LARYN JM 940042 - SP -
 0032701526 - 28-OCT-94 9%

ZW BOOMERANG BG 950103 - SP -
 0044845451 - 25-NOV-95 4%

- HT 950035 - SP -
 0044845436 - 21-DEC-95 2%

Selection value	CALVING EASE ★★★		MILK ★★		CALF GRWTH. ★★★		MAINTENANCE ★★★★			GROWTH TEST					FERTILITY ★★★			COW VALUE ★★★	GROWTH VALUE -	PRODUCTION VALUE -
	101 ₇₃	85 ₅₉	101 ₇₀	114 ₂₃									119 ₂₉							
Birth wght	Birth Mat	Milk	Wean wght	Post wean	Mature wght	ADG	Kleiber	FCR	Length	Height	SC	AFC	ICP							
97	124	85	101	91	86	95	95	-	97	103	104	101	120	99 ₄₄			-	-		
.86 ₇₅	-.66 ₅₈	-2.6 ₅₉	3.8 ₇₀	1.6 ₆₃	-6 ₂₃	77 ₆	15 ₆	-	21 ₁₃	15 ₁₅	13.2 ₁₆	-1.8 ₄₀	-6.9 ₁₈				-	-		
32(8%)			191 (108)	189 (98)	260 (95)															
Remarks: Donker rooi met klein horing doppie														Semen donor: No Tests: - Vacc. -						

LOT 176

0442495, S.A. WELZ, POSBUS 521695, SAXONWOLD, 2132, (T)011-447 2858



Naam Ident. nommer Geslag Afdeling Reg. nommer Geboorte Datum
BLOMVLEI SW 130068 MANLIK SP 0079238895 02-NOV-13

SW 130068

DNS: -

BLOMVLEI SW 130068 - SP P
 0079238895 - 02-NOV-13 4%

BLOMVLEI SW 060039 - SP P
 0063613590 - 02-SEP-06 4%

BLOMVLEI SW 080013 - B H
 0066330895 - 22-APR-08 5%

OEK 44.1 TKP 356
 RI 99 Gem SI/Kalf: 98 / 4
 Oud. / Kalwers 7j. 11md. / 5

MOTSWIRI AJB 020021 - B -
 0046814281 - 24-SEP-02 5%

- HT 990005 - SP -
 0044845857 - 16-MAY-99 2%

OEK - TKP 433
 RI 93 Gem SI/Kalf: 100 / 7
 Oud. / Kalwers 12j. 12md. / 7

MEGA M 040002 - SP P
 0048821524 - 14-MAR-04 5%

BLOMVLEI SW 021051 - A -
 0065549081 - 03-OCT-02 0%

OEK - TKP 445
 RI 98 Gem SI/Kalf: 89 / 1
 Oud. / Kalwers 13j. 6md. / 7

ZW BOOMERANG BG 950027 - SP -
 0043247139 - 04-NOV-95 3%

MOTSWIRI AJB 960101 - A -
 0042274480 - 10-OCT-96 0%

ZW BOOMERANG BG 950103 - SP -
 0044845451 - 25-NOV-95 4%

- HT 950030 - SP -
 0044845428 - 21-NOV-95 0%

ZW BOOMERANG BG 940025 - SP -
 0036749745 - 04-OCT-94 3%

ZW BOOMERANG BG 980087 - SP -
 0044845733 - 22-OCT-98 6%

ZW BOOMERANG BG 970110 - SP -
 0044845550 - 03-DEC-97 8%

 --- -%

Seleksie waarde	KALF GEMAK ★★★		MELK ★★★		KALFGROEI ★★★		ONDERHOUD ★★★			GROEI TOETS					VRUGBAARHEID ★★			KOEI WAARDE ★★★	GROEI WAARDE ★★★★	PRODUKSIE WAARDE ★★★
	104 ₇₃	99 ₆₁	99 ₇₂	95 ₂₅									87 ₃₀							
Geb gew	Geb Mat	Melk	Speen gew	Naspeen	Volw. gewig	GDT	Kleiber	VOV	Lengte	Hoogte	SO	OEK	TKP							
105	91	99	99	99	105	116	124	-	109	107	112	97	87	98 ₄₆ 110 ₂₄ 106 ₄₂						
.21 ₇₅	.47 ₅₉	1.5 ₆₁	3.1 ₇₂	6.1 ₆₆	14 ₂₅	140 ₂₁	51 ₂₁	-	31 ₂₂	17 ₂₄	17.2 ₂₇	1.4 ₂	1.3 ₁₈							
30(7%)			171 (108)	191(103)	267 (99)															
Opmerkings: Sterk rooi poenskop. Goeie indekse														Semen skenker: Nee Toetse: - Inent. -						

LOT 177

0442495, S.A. WELZ, POSBUS 521695, SAXONWOLD, 2132, (T)011-447 2858



Name Ident. number Sex Section Reg. number Birth Date
BLOMVLEI SW 120021 MALE SP 0075475749 30-MAY-12

12 0021

DNA: P2914/15

BLOMVLEI SW 120021 - SP P
 0075475749 - 30-MAY-12 2%

BLOMVLEI SW 070050 - B P
 0065616161 - 22-SEP-07 1%

MEGA M 040002 - SP P
 0048821524 - 14-MAR-04 5%

BLOMVLEI SW 040075 - A H
 0049135528 - 07-OCT-04 0%

AFC - ICP 454
 RI 96 Avg. Wt/Calv: 106 / 6
 Age / Calves 11j. 6md. / 7

BLOMVLEI SW 010040 - SP -
 0045340163 - 22-OCT-01 6%

BLOMVLEI SW 050028 - SP P
 0060004926 - 09-MAY-05 2%

AFC 36.1 ICP 372
 RI 107 Avg. Wt/Calv: 101 / 6
 Age / Calves 8j. 11md. / 6

BLOMVLEI SW 960001 - B -
 0037212651 - 18-OCT-96 0%

AFC 35.2 ICP 431
 RI 99 Avg. Wt/Calv: 110 / 7
 Age / Calves 11j. 3md. / 7

- ZW BOOMERANG BG 940025 - SP** -
0036749745 - 04-OCT-94 3%
- ZW BOOMERANG BG 980087 - SP** -
0044845733 - 22-OCT-98 6%
- -
- -%
- BUROWILL ASE 990042 - A** -
0042471466 - 07-OCT-99 0%
- BLOMVLEI SW 950010 - SP** -
0034222281 - 06-AUG-95 7%
- BLOMVLEI SW 950025 - SP** -
0034854802 - 03-DEC-95 25%
- BLOMVLEI SW 940001 - SP** -
0029429057 - 03-JAN-94 2%
- BLOMVLEI SW 940015 - A** -
0033721127 - 01-AUG-94 0%

Selection value	CALVING EASE ★★★		MILK ★★★		CALF GRWTH. ★★★		MAINTENANCE ★★★		GROWTH TEST					FERTILITY ★★★			COW VALUE	GROWTH VALUE	PRODUCTION VALUE
	102 ₆₃	103 ₆₀	101 ₇₁	102 ₂₃						100 ₃₂									
Birth wght	Birth Mat	Milk	Wean wght	Post wean	Mature wght	ADG	Kleiber	FCR	Length	Height	SC	AFC	ICP	★★★					
102	102	103	101	102	98	107	107	-	107	109	105	75	108	★★★	106 ₄₅	-	-		
.49 ₆₄	.09 ₅₂	2.7 ₆₀	3.6 ₇₁	7.7 ₆₄	6 ₂₃	111 ₁₆	30 ₁₆	-	30 ₁₉	18 ₂₁	13.7 ₂₀	21.2 ₄₃	-3.8 ₂₀						
32(5.5%)			189 (110)	255(108)	277 (99)														
Remarks: Geel stoetvaar. Uitstekende teelwaardes. Vonkprop en Farmer's Weekly koei voorsate														Semen donor: No Tests: - Vacc. -					

LOT 178

0442495, S.A. WELZ, POSBUS 521695, SAXONWOLD, 2132, (T)011-447 2858



Naam Ident. nommer Geslag Afdeling Reg. nommer Geboorte Datum
BLOMVLEI SW 130002 MANLIK SP 0077999696 22-MAY-13

130002

DNS: -

BLOMVLEI SW 130002 - SP P
 0077999696 - 22-MAY-13 6%

BLOMVLEI SW 060039 - SP P
 0063613590 - 02-SEP-06 4%

MOTSWIRI AJB 020021 - B -
 0046814281 - 24-SEP-02 5%

- HT 990005 - SP -
 0044845857 - 16-MAY-99 2%

OEK - TKP 433
 RI 93 Gem SI/Kalf: 100 / 7
 Oud. / Kalwers 12j. 12md. / 7

BLOMVLEI SW 010040 - SP -
 0045340163 - 22-OCT-01 6%

BLOMVLEI SW 040108 - SP P
 0049336605 - 10-NOV-04 7%

OEK 35.6 TKP 483
 RI 90 Gem SI/Kalf: 101 / 5
 Oud. / Kalwers 10j. 3md. / 6

ZW BOOMERANG BG 900025 - SP -
 0028628972 - 25-OCT-90 3%

OEK 36.4 TKP 404
 RI 104 Gem SI/Kalf: 105 / 11
 Oud. / Kalwers 16j. 3md. / 12

- ZW BOOMERANG BG 950027 - SP** -
0043247139 - 04-NOV-95 3%
- MOTSWIRI AJB 960101 - A** -
0042274480 - 10-OCT-96 0%
- ZW BOOMERANG BG 950103 - SP** -
0044845451 - 25-NOV-95 4%
- HT 950030 - SP** -
0044845428 - 21-NOV-95 0%
- BLOMVLEI SW 950010 - SP** -
0034222281 - 06-AUG-95 7%
- BLOMVLEI SW 950025 - SP** -
0034854802 - 03-DEC-95 25%
- ZW BOOMERANG BG 850108 - SP** -
0022173868 - 17-DEC-85 9%
- ZW BOOMERANG BG 860039 - SP** -
0044844504 - 04-DEC-86 0%

Seleksie waarde	KALF GEMAK ★★★		MELK ★★★		KALFGROEI ★★★		ONDERHOUD ★★★			GROEI TOETS					VRUGBAARHEID ★★			KOEI WAARDE	GROEI WAARDE	PRODUKSIE WAARDE
	100 ₇₃	110 ₆₁	93 ₇₂	110 ₂₄						82 ₃₂										
Geb gew	Geb Mat	Melk	Speen gew	Naspeen	Volw. gewig	GDT	Kleiber	VOV	Lengte	Hoogte	SO	OEK	TKP	★★★	★★★	★★★				
100	101	110	93	92	90	109	113	-	106	105	110	94	82	★★★	★★★	★★★				
.65 ₇₅	.13 ₅₉	4.8 ₆₁	.8 ₇₂	2 ₆₆	-2.4 ₂₄	119 ₁₉	37 ₁₉	-	28 ₂₀	16 ₂₂	16.2 ₂₆	4.3 ₄₄	2.6 ₁₉							
32(5.9%)			180 (100)	262 (97)	316 (97)															
Opmerkings: Red polled bull, son of Rebel														Semen skenker: Nee Toetse: - Inent. -						

LOT 179

0442495, S.A. WELZ, POSBUS 521695, SAXONWOLD, 2132, (T)011-447 2858



Name Ident. number Sex Section Reg. number Birth Date
BLOMVLEI SW 130061 MALE SP 0078645728 29-OCT-13

SW 130061

DNA: -

BLOMVLEI SW 130061 - SP H
 0078645728 - 29-OCT-13 3%

BLOMVLEI SW 080043 - SP P
 0068334176 - 19-AUG-08 4%

BLOMVLEI SW 090078 - B -
 0069593275 - 26-OCT-09 1%

AFC 35.7 ICP 375
 RI 104 Avg. Wt/Calf: 105 / 3
 Age / Calves 6j. 5md. / 4

NONNIE CR 010015 - SP P
 0044826162 - 25-JUL-01 12%

- LB 950058 - SP -
 0039643572 - 23-OCT-95 4%

AFC - ICP 481
 RI 91 Avg. Wt/Calf: 111 / 8
 Age / Calves 15j. 3md. / 8

MEGA M 030004 - SP P
 0048821201 - 23-FEB-03 10%

BUROWILL ASE 990053 - A -
 0042514471 - 24-OCT-99 0%

AFC 27.4 ICP 403
 RI 110 Avg. Wt/Calf: 103 / 7
 Age / Calves 11j. 7md. / 8

NONNIE CR 960004 - SP -
 0036882744 - 29-JUL-96 7%

NONNIE CR 960001 - SP -
 0035540202 - 20-MAR-96 6%

ZW LEBAR LB9239 - - -
 0045056777 - 14-OCT-92 11%

- LB 870127 - SP -
 0046193637 - 23-NOV-87 0%

ZW BOOMERANG BG 940025 - SP -
 0036749745 - 04-OCT-94 3%

ZW BOOMERANG BG 980107 - SP -
 0044845782 - 07-NOV-98 3%

- J 960107 - SP -
 0041181660 - 13-AUG-96 2%

BUROWILL ASE 960005 - BS -
 0042274241 - 01-OCT-96 0%

Selection value	CALVING EASE ★★★		MILK ★★★★		CALF GRWTH. ★★★		MAINTENANCE ★★★★			GROWTH TEST					FERTILITY ★★★			COW VALUE ★★★	GROWTH VALUE	PRODUCTION VALUE
	96 ₇₃	115 ₆₀	98 ₇₁	103 ₂₄											116 ₂₉					
Birth wght	Birth Mat	Milk	Wean wght	Post wean	Mature wght	ADG	Kleiber	FCR	Length	Height	SC	AFC	ICP	★★★						
Breeding value index	94	113	115	98	97	97	103	101	-	102	102	102	107	115	★★★			111 ₄₅	-	-
Breeding value	1.11 ₇₅	-.27 ₅₈	6.3 ₆₀	2.6 ₇₁	5 ₆₄	6 ₂₄	100 ₈	23 ₈	-	26 ₁₂	14 ₁₄	12.4 ₁₄	-7.3 ₃₉	-5.6 ₁₉						
Weights/Index	30(8.4%)			176 (112)	199(106)	286(107)		-	-	-	-	-	-	-						
Remarks:	Liggeel horing bul														Semen donor: No			Tests: -		
															Vacc. -					

LOT 180

0442495, S.A. WELZ, POSBUS 521695, SAXONWOLD, 2132, (T)011-447 2858



Naam Ident. nommer Geslag Afdeling Reg. nommer Geboorte Datum
BLOMVLEI SW 130063 MANLIK SP 0078645744 30-OCT-13

SW 130063

DNS: -

BLOMVLEI SW 130063 - SP P
 0078645744 - 30-OCT-13 9%

BLOMVLEI SW 090025 - SP P
 0068916790 - 08-JUN-09 4%

BLOMVLEI SW 070074 - SP P
 0065467086 - 21-OCT-07 4%

OEK 33.6 TKP 391
 RI 106 Gem SI/Kalf: 90 / 4
 Oud. / Kalwers 8j. 5md. / 5

MEGA M 030004 - SP P
 0048821201 - 23-FEB-03 10%

BLOMVLEI SW 960022 - SP -
 0037526936 - 21-DEC-96 10%

OEK 33.9 TKP 460
 RI 95 Gem SI/Kalf: 105 / 10
 Oud. / Kalwers 16j. 5md. / 11

MEGA M 040002 - SP P
 0048821524 - 14-MAR-04 5%

- HT 980028 - SP -
 0044845659 - 18-NOV-98 7%

OEK - TKP 428
 RI 100 Gem SI/Kalf: 105 / 10
 Oud. / Kalwers 14j. 2md. / 10

ZW BOOMERANG BG 940025 - SP -
 0036749745 - 04-OCT-94 3%

ZW BOOMERANG BG 980107 - SP -
 0044845782 - 07-NOV-98 3%

- J 922802 - SP -
 0033733973 - 26-JUN-92 11%

- J 921708 - SP -
 0033734088 - 19-JUL-92 10%

ZW BOOMERANG BG 940025 - SP -
 0036749745 - 04-OCT-94 3%

ZW BOOMERANG BG 980087 - SP -
 0044845733 - 22-OCT-98 6%

- DK 952447 - SP -
 0044845477 - 13-OCT-95 4%

- HT 920017 - SP -
 0044845071 - 26-OCT-92 6%

Seleksie waarde	KALF GEMAK ★★★		MELK ★★★		KALFGROEI ★★		ONDERHOUD ★★★★			GROEI TOETS					VRUGBAARHEID ★★★			KOEI WAARDE ★★	GROEI WAARDE	PRODUKSIE WAARDE
	104 ₇₂	102 ₅₆	77 ₆₉	127 ₂₂											94 ₂₅					
Geb gew	Geb Mat	Melk	Speen gew	Naspeen	Volw. gewig	GDT	Kleiber	VOV	Lengte	Hoogte	SO	OEK	TKP	★★						
Teeltwaarde index	106	81	102	77	73	-	-	-	88	92	93	99	94	★★			89 ₄₂	-	-	
Teeltwaarde	.14 ₇₄	.8 ₅₄	2.4 ₅₆	-4.9 ₆₉	-6.1 ₆₂	-20 ₂₂	-	-	-	14 ₁₀	8 ₁₄	8.6 ₁₅	-1 ₃₈	-4 ₁₄						
Gewig/Index	31(8.6%)			156 (85)	178 (92)	245 (89)		-	-	-	-	-	-	-						
Opmerkings:	Donker geel poenskop														Semen skenker: Nee			Toetse: -		
															Inent. -					

LOT 181

0442495, S.A. WELZ, POSBUS 521695, SAXONWOLD, 2132, (T)011-447 2858



Name Ident. number Sex Section Reg. number Birth Date
BLOMVLEI SW 140006 MALE SP 0079986386 04-JUN-14

SW 140006

DNA: -

BLOMVLEI SW 140006 - SP H
 0079986386 - 04-JUN-14 5%

BLOMVLEI SW 060039 - SP P
 0063613590 - 02-SEP-06 4%

BLOMVLEI SW 110010 - SP H
 0073313512 - 01-MAY-11 7%

AFC 37.1 ICP 369
 RI 96 Avg. Wt/Calf: 95 / 2
 Age / Calves 4j. 11md. / 2

MOTSWIRI AJB 020021 - B -
 0046814281 - 24-SEP-02 5%

- HT 990005 - SP -
 0044845857 - 16-MAY-99 2%

AFC - ICP 433
 RI 93 Avg. Wt/Calf: 100 / 7
 Age / Calves 12j. 12md. / 7

NONNIE CR 010015 - SP P
 0044826162 - 25-JUL-01 12%

BLOMVLEI SW 070024 - SP H
 0065551970 - 19-MAY-07 3%

AFC 35.7 ICP 388
 RI 104 Avg. Wt/Calf: 103 / 4
 Age / Calves 8j. 10md. / 5

ZW BOOMERANG BG 950027 - SP -
 0043247139 - 04-NOV-95 3%

MOTSWIRI AJB 960101 - A -
 0042274480 - 10-OCT-96 0%

ZW BOOMERANG BG 950103 - SP -
 0044845451 - 25-NOV-95 4%

- HT 950030 - SP -
 0044845428 - 21-NOV-95 0%

NONNIE CR 960004 - SP -
 0036882744 - 29-JUL-96 7%

NONNIE CR 960001 - SP -
 0035540202 - 20-MAR-96 6%

- DK 952394 - SP -
 0039643861 - 04-MAY-95 3%

ZW BOOMERANG BG 900007 - SP -
 0028628956 - 12-OCT-90 1%

Selection value	CALVING EASE ★★★		MILK ★★★		CALF GRWTH. ★★☆		MAINTENANCE ★★★★			GROWTH TEST					FERTILITY ★★★			COW VALUE ★★★	GROWTH VALUE ★★★	PRODUCTION VALUE ★★★
	100 ₇₂	104 ₆₀	96 ₇₁	112 ₂₀	ADG	Kleiber	FCR	Length	Height	SC	AFC	ICP	102 ₃₁							
Birth wght	Birth Mat	Milk	Wean wght	Post wean	Mature wght															
98	113	104	96	101	88	107	113	-	103	103	104	109	99	103 ₄₅	107 ₂₀	106 ₄₀				
.79 ₇₄	-.28 ₅₈	3.2 ₆₀	1.8 ₇₁	7.3 ₅₈	-4 ₂₀	112 ₁₇	37 ₁₇	-	26 ₁₈	15 ₂₀	13.3 ₂₄	-9.5 ₄₄	-1.6 ₁₈							
30(7.4%)			180 (110)	256(116)	329(106)															
Remarks: Dark Yellow, dehorned . Rebel /SW06-39, and CR01-15 in pedigree																	Semen donor: No Tests: - Vacc. -			

LOT 182

0442495, S.A. WELZ, POSBUS 521695, SAXONWOLD, 2132, (T)011-447 2858



Naam Ident. nommer Geslag Afdeling Reg. nommer Geboorte Datum
BLOMVLEI SW 140010 MANLIK B 0079986394 27-JUN-14

SW 140010

DNS: -

BLOMVLEI SW 140010 - B SC
 0079986394 - 27-JUN-14 2%

BLOMVLEI SW 060039 - SP P
 0063613590 - 02-SEP-06 4%

BLOMVLEI SW 070003 - A -
 0067874982 - 15-MAR-07 0%

OEK - TKP 432
 RI 101 Gem SI/Kalf: 106 / 4
 Oud. / Kalwers 9j. 1md. / 5

MOTSWIRI AJB 020021 - B -
 0046814281 - 24-SEP-02 5%

- HT 990005 - SP -
 0044845857 - 16-MAY-99 2%

OEK - TKP 433
 RI 93 Gem SI/Kalf: 100 / 7
 Oud. / Kalwers 12j. 12md. / 7

PISIRI PS 020118 - SP -
 0047280979 - 24-SEP-02 11%

---- -
 --- -
 --- -

Gem SI/Kalf: -

ZW BOOMERANG BG 950027 - SP -
 0043247139 - 04-NOV-95 3%

MOTSWIRI AJB 960101 - A -
 0042274480 - 10-OCT-96 0%

ZW BOOMERANG BG 950103 - SP -
 0044845451 - 25-NOV-95 4%

- HT 950030 - SP -
 0044845428 - 21-NOV-95 0%

SIGIDI HKL 972004 - SP -
 0040707440 - 25-NOV-97 7%

LARYN JM 940042 - SP -
 0032701526 - 28-OCT-94 9%

---- -
 --- -
 --- -

---- -
 --- -

Seleksie waarde	KALF GEMAK ★★★		MELK ★★★		KALFGROEI ★★★		ONDERHOUD ★★★			GROEI TOETS					VRUGBAARHEID ★★★			KOEI WAARDE ★★★	GROEI WAARDE ★★★★	PRODUKSIE WAARDE ★★★★
	96 ₇₁	104 ₅₉	105 ₇₀	101 ₂₂	GDT	Kleiber	VOV	Lengte	Hoogte	SO	OEK	TKP	99 ₂₈							
Geb gew	Geb Mat	Melk	Speen gew	Naspeen	Volw. gewig															
93	120	104	105	96	99	119	122	-	115	117	116	107	97	105 ₄₃	112 ₂₆	110 ₄₀				
1.17 ₇₃	-.51 ₅₆	3.1 ₅₉	5 ₇₀	4.4 ₅₈	8 ₂₂	148 ₂₄	49 ₂₄	-	37 ₂₅	23 ₂₇	18.9 ₂₉	-7.6 ₃₉	-1.1 ₁₇							
31(5.7%)			191 (117)	241(108)	277 (88)															
Opmerkings: Geel bulletjie met potensiaal, horing doppies																	Semen skenker: Nee Toetse: - Inent. -			

LOT 183

0442495, S.A. WELZ, POSBUS 521695, SAXONWOLD, 2132, (T)011-447 2858



Name Ident. number Sex Section Reg. number Birth Date
BLOMVLEI SW 140034 MALE SP 0080713613 21-OCT-14

SW 140034

DNA: -

BLOMVLEI SW 140034 - SP P
 0080713613 - 21-OCT-14 4%

BLOMVLEI SW 080043 - SP P
 0068334176 - 19-AUG-08 4%

BLOMVLEI SW 110044 - SP P
 0074522525 - 17-OCT-11 5%

AFC 36.1 ICP -
 RI 90 Avg. Wt/Calf: 100 / 1
 Age / Calves 4j. 5md. / 1

NONNIE CR 010015 - SP P
 0044826162 - 25-JUL-01 12%

- LB 950058 - SP -
 0039643572 - 23-OCT-95 4%

AFC - ICP 481
 RI 91 Avg. Wt/Calf: 111 / 8
 Age / Calves 15j. 3md. / 8

BLOMVLEI SW 060039 - SP P
 0063613590 - 02-SEP-06 4%

BLOMVLEI SW 070093 - SP P
 0065466971 - 15-NOV-07 8%

AFC 34.8 ICP 373
 RI 108 Avg. Wt/Calf: 98 / 4
 Age / Calves 8j. 5md. / 6

NONNIE CR 960004 - SP -
 0036882744 - 29-JUL-96 7%

NONNIE CR 960001 - SP -
 0035540202 - 20-MAR-96 6%

ZW LEBAR LB9239 - - -
 0045056777 - 14-OCT-92 11%

- LB 870127 - SP -
 0046193637 - 23-NOV-87 0%

MOTSWIRI AJB 020021 - B -
 0046814281 - 24-SEP-02 5%

- HT 990005 - SP -
 0044845857 - 16-MAY-99 2%

MEGA M 040002 - SP P
 0048821524 - 14-MAR-04 5%

BLOMVLEI SW 990043 - SP -
 0042742403 - 29-NOV-99 4%

Selection value	CALVING EASE ★★★★		MILK ★★★★		CALF GRWTH. ★★★		MAINTENANCE ★★★★			GROWTH TEST					FERTILITY ★★★			COW VALUE ★★★★	GROWTH VALUE	PRODUCTION VALUE
	113 ₇₂	106 ₅₉	94 ₇₁	108 ₁₉						101 ₂₆										
Birth wght	Birth Mat	Milk	Wean wght	Post wean	Mature wght	ADG	Kleiber	FCR	Length	Height	SC	AFC	ICP							
110	116	106	94	95	92	-	-	-	-	106	108	106	99	113 ₄₂	-	-	-			
-.2 ₇₄	-.39 ₅₇	3.7 ₅₉	1.3 ₇₁	4 ₅₇	1 ₁₉	-	-	-	-	16 ₉	15.1 ₁₂	-6.4 ₃₈	-1.7 ₁₃							
Weights/Index		25(6.9%)		185 (100)		236(108)		336(106)								Semen donor: No Tests: - Vacc. -				
Remarks: Roomkleur poenskop																				

LOT 184

0442495, S.A. WELZ, POSBUS 521695, SAXONWOLD, 2132, (T)011-447 2858



Naam Ident. nommer Geslag Afdeling Reg. nommer Geboorte Datum
BLOMVLEI SW 140052 MANLIK SP 0080713910 09-NOV-14

SW 140052

DNS: -

BLOMVLEI SW 140052 - SP P
 0080713910 - 09-NOV-14 4%

BLOMVLEI SW 090023 - SP SC
 0068916774 - 03-JUN-09 5%

BLOMVLEI SW 110023 - B P
 0073839896 - 24-JUL-11 2%

OEK 39.6 TKP -
 RI 80 Gem SI/Kalf: 96 / 1
 Oud. / Kalwers 4j. 8md. / 1

HBH HBH 030739 - B PP
 0048040240 - 10-OCT-03 4%

BLOMVLEI SW 050028 - SP P
 0060004926 - 09-MAY-05 2%

OEK 36.1 TKP 372
 RI 107 Gem SI/Kalf: 101 / 6
 Oud. / Kalwers 8j. 11md. / 6

NONNIE CR 010015 - SP P
 0044826162 - 25-JUL-01 12%

BUROWILL ASE 990042 - A -
 0042471466 - 07-OCT-99 0%

OEK 28.7 TKP 424
 RI 104 Gem SI/Kalf: 110 / 10
 Oud. / Kalwers 16j. 3md. / 12

ZW BOOMERANG BG 960053 - SP -
 0043293216 - 10-NOV-96 4%

HBH HBH 950103 - A -
 0035200708 - 27-OCT-95 6%

BLOMVLEI SW 010040 - SP -
 0045340163 - 22-OCT-01 6%

BLOMVLEI SW 960001 - B -
 0037212651 - 18-OCT-96 0%

NONNIE CR 960004 - SP -
 0036882744 - 29-JUL-96 7%

NONNIE CR 960001 - SP -
 0035540202 - 20-MAR-96 6%

- J 960107 - SP -
 0041181660 - 13-AUG-96 2%

BUROWILL ASE 960016 - BS -
 0042274274 - 01-OCT-96 0%

Seleksie waarde	KALF GEMAK ★★★★		MELK ★★★★		KALFGROEI ★★★		ONDERHOUD ★★★★			GROEI TOETS					VRUGBAARHEID ★★★			KOEI WAARDE ★★★★	GROEI WAARDE	PRODUKSIE WAARDE
	103 ₇₁	106 ₅₆	87 ₆₉	109 ₂₀						109 ₂₄										
Geb gew	Geb Mat	Melk	Speen gew	Naspeen	Volw. gewig	GDT	Kleiber	VOV	Lengte	Hoogte	SO	OEK	TKP							
103	98	106	87	88	91	96	93	-	100	104	100	102	109	100 ₄₁	-	-				
.37 ₇₃	.23 ₅₄	3.8 ₅₆	-1.3 ₆₉	-2 ₅₃	0 ₂₀	80 ₁₄	12 ₁₄	-	24 ₁₈	15 ₂₀	11.5 ₂₀	-3.2 ₃₅	-4.1 ₁₄							
Gewig/Index		31(9%)		185 (96)		224 (99)		315 (97)								Semen skenker: Nee Toetse: - Inent. -				
Opmerkings: Rooi, poenskop																				

LOT 185

0442495, S.A. WELZ, POSBUS 521695, SAXONWOLD, 2132, (T)011-447 2858



Name Ident. number Sex Section Reg. number Birth Date
BLOMVLEI SW 140027 MALE SP 0080713639 02-OCT-14

SW 140027

DNA: -

BLOMVLEI SW 140027 - SP P
 0080713639 - 02-OCT-14 3%

BLOMVLEI SW 080043 - SP P
 0068334176 - 19-AUG-08 4%

BLOMVLEI SW 110068 - B P
 0074522467 - 06-NOV-11 1%

AFC 34.9 ICP 379
 RI 100 Avg. Wt/Calf: 87 / 1
 Age / Calves 4j. 5md. / 2

NONNIE CR 010015 - SP P
 0044826162 - 25-JUL-01 12%

- LB 950058 - SP -
 0039643572 - 23-OCT-95 4%

AFC - ICP 481
 RI 91 Avg. Wt/Calf: 111 / 8
 Age / Calves 15j. 3md. / 8

BLOMVLEI SW 070044 - SP SC
 0065591075 - 02-SEP-07 7%

BLOMVLEI SW 040074 - A H
 0049135510 - 07-OCT-04 0%

AFC - ICP 389
 RI 111 Avg. Wt/Calf: 108 / 4
 Age / Calves 7j. 12md. / 5

NONNIE CR 960004 - SP -
 0036882744 - 29-JUL-96 7%

NONNIE CR 960001 - SP -
 0035540202 - 20-MAR-96 6%

ZW LEBAR LB9239 -- -
 0045056777 - 14-OCT-92 11%

- LB 870127 - SP -
 0046193637 - 23-NOV-87 0%

MEGA M 040002 - SP P
 0048821524 - 14-MAR-04 5%

ZW BOOMERANG BG 900039 - SP -
 0028628998 - 11-OCT-90 1%

---- -
 --- -%

BUROWILL ASE 990056 - A -
 0042514505 - 24-OCT-99 0%

Selection value	CALVING EASE ★★★		MILK ★★★		CALF GRWTH. ★★★		MAINTENANCE ★★★			GROWTH TEST					FERTILITY ★★★			COW VALUE ★★★	GROWTH VALUE	PRODUCTION VALUE
	104 ₇₃	108 ₅₉	97 ₇₁	95 ₂₀						114 ₂₇										
Birth wght	Birth Mat	Milk	Wean wght	Post wean	Mature wght	ADG	Kleiber	FCR	Length	Height	SC	AFC	ICP							
101	117	108	97	98	105	-	-	-	103	105	102	109	113	108 ₄₃			-	-		
.53 ₇₅	-.41 ₅₇	4.3 ₅₉	2.1 ₇₁	5.6 ₅₈	14 ₂₀	-	-	-	26 ₇	16 ₁₀	12.7 ₁₀	-9.7 ₃₈	-5 ₁₆				-	-		
27(7.2%)			167 (87)	213 (95)	317 (99)															
Remarks: Liggeel poenskop														Semen donor: No Tests: - Vacc. -						

LOT 186

0442495, S.A. WELZ, POSBUS 521695, SAXONWOLD, 2132, (T)011-447 2858



Naam Ident. nommer Geslag Afdeling Reg. nommer Geboorte Datum
BLOMVLEI SW 140035 MANLIK SP 0080713621 21-OCT-14

SW 140035

DNS: -

BLOMVLEI SW 140035 - SP H
 0080713621 - 21-OCT-14 5%

BLOMVLEI SW 090023 - SP SC
 0068916774 - 03-JUN-09 5%

BLOMVLEI SW 110036 - SP P
 0073839946 - 12-OCT-11 5%

OEK 36.3 TKP -
 RI 90 Gem SI/Kalf: 99 / 1
 Oud. / Kalwers 4j. 6md. / 1

HBH HBH 030739 - B PP
 0048040240 - 10-OCT-03 4%

BLOMVLEI SW 050028 - SP P
 0060004926 - 09-MAY-05 2%

OEK 36.1 TKP 372
 RI 107 Gem SI/Kalf: 101 / 6
 Oud. / Kalwers 8j. 11md. / 6

MABULA BEU 070083 - SP P
 0065278194 - 16-OCT-07 11%

BLOMVLEI SW 990043 - SP -
 0042742403 - 29-NOV-99 4%

OEK 33.2 TKP 444
 RI 98 Gem SI/Kalf: 110 / 11
 Oud. / Kalwers 16j. 4md. / 11

ZW BOOMERANG BG 960053 - SP -
 0043293216 - 10-NOV-96 4%

HBH HBH 950103 - A -
 0035200708 - 27-OCT-95 6%

BLOMVLEI SW 010040 - SP -
 0045340163 - 22-OCT-01 6%

BLOMVLEI SW 960001 - B -
 0037212651 - 18-OCT-96 0%

SIGIDI HKL 960013 - SP -
 0038231049 - 15-OCT-96 15%

SIGIDI SIG 990017 - SP -
 0043005818 - 29-MAY-99 4%

ZW BOOMERANG BG 920001 - SP -
 0034054650 - 11-NOV-92 7%

- DK 951462 - SP -
 0039643671 - 29-APR-95 5%

Seleksie waarde	KALF GEMAK ★★★		MELK ★★★		KALFGROEI ★★★		ONDERHOUD ★★★			GROEI TOETS					VRUGBAARHEID ★★★			KOEI WAARDE ★★★	GROEI WAARDE	PRODUKSIE WAARDE
	106 ₇₁	95 ₅₈	96 ₆₉	101 ₂₀						94 ₂₄										
Geb gew	Geb Mat	Melk	Speen gew	Naspeen	Volw. gewig	GDT	Kleiber	VOV	Lengte	Hoogte	SO	OEK	TKP							
106	93	95	96	97	99	98	95	-	102	109	103	109	91	97 ₄₁			-	-		
.12 ₇₃	.38 ₅₄	.5 ₅₈	1.9 ₆₉	4.9 ₅₃	7 ₂₀	85 ₁₆	15 ₁₆	-	25 ₂₀	18 ₂₂	12.9 ₂₂	-9.5 ₃₅	.4 ₁₃				-	-		
29(7.2%)			188 (99)	230(103)	326(101)															
Opmerkings: Donkergeel, onthoring														Semen skenker: Nee Toetse: - Inent. -						

LOT 187

0442495, S.A. WELZ, POSBUS 521695, SAXONWOLD, 2132, (T)011-447 2858



Name Ident. number Sex Section Reg. number Birth Date
BLOMVLEI SW 140037 MALE SP 0080713563 24-OCT-14

SW 140037

DNA: -

BLOMVLEI SW 140037 - SP H
 0080713563 - 24-OCT-14 4%

BLOMVLEI SW 090023 - SP SC
 0068916774 - 03-JUN-09 5%

HBH HBH 030739 - B PP
 0048040240 - 10-OCT-03 4%

BLOMVLEI SW 050028 - SP P
 0060004926 - 09-MAY-05 2%

AFC 36.1 ICP 372
 RI 107 Avg. Wt/Calf: 101 / 6
 Age / Calves 8j. 11md. / 6

BLOMVLEI SW 060039 - SP P
 0063613590 - 02-SEP-06 4%

BLOMVLEI SW 110057 - SP H
 0074522350 - 29-OCT-11 3%

AFC 35.8 ICP -
 RI 91 Avg. Wt/Calf: 103 / 1
 Age / Calves 4j. 5md. / 1

BLOMVLEI SW 060044 - B H
 0063613467 - 24-SEP-06 2%

AFC 35.6 ICP 388
 RI 101 Avg. Wt/Calf: 99 / 3
 Age / Calves 5j. 11md. / 3

ZW BOOMERANG BG 960053 - SP -
 0043293216 - 10-NOV-96 4%

HBH HBH 950103 - A -
 0035200708 - 27-OCT-95 6%

BLOMVLEI SW 010040 - SP -
 0045340163 - 22-OCT-01 6%

BLOMVLEI SW 960001 - B -
 0037212651 - 18-OCT-96 0%

MOTSWIRI AJB 020021 - B -
 0046814281 - 24-SEP-02 5%

- HT 990005 - SP -
 0044845857 - 16-MAY-99 2%

NONNIE CR 010015 - SP P
 0044826162 - 25-JUL-01 12%

BUROWILL ASE 990056 - A -
 0042514505 - 24-OCT-99 0%

Selection value	CALVING EASE ★★★		MILK ★★★		CALF GRWTH. ★★★		MAINTENANCE ★★★★			GROWTH TEST					FERTILITY ★★★			COW VALUE	GROWTH VALUE	PRODUCTION VALUE
	109 ₇₁	103 ₅₆	91 ₆₉	110 ₁₈						ADG	Kleiber	FCR	Length	Height	SC	AFC	ICP			
Birth wght	Birth Mat	Milk	Wean wght	Post wean	Mature wght	ADG	Kleiber	FCR	Length	Height	SC	AFC	ICP	★★★						
107	111	103	91	92	90	103	102	-	105	107	105	109	100	★★★	105 ₄₀	-	-			
1	73	-2	53	2.9	56	.3	69	2.1	53	-2	18	100	13	24	13	-	-			
30(8.9%)				195 (103)	224 (99)	336(104)														
Remarks: Liggeel, horings															Semen donor: No Tests: - Vacc. -					

LOT 188

0442495, S.A. WELZ, POSBUS 521695, SAXONWOLD, 2132, (T)011-447 2858



Naam Ident. nommer Geslag Afdeling Reg. nommer Geboorte Datum
BLOMVLEI SW 140038 MANLIK SP 0080713738 24-OCT-14

SW 140038

DNS: -

BLOMVLEI SW 140038 - SP P
 0080713738 - 24-OCT-14 3%

BLOMVLEI SW 060039 - SP P
 0063613590 - 02-SEP-06 4%

MOTSWIRI AJB 020021 - B -
 0046814281 - 24-SEP-02 5%

- HT 990005 - SP -
 0044845857 - 16-MAY-99 2%

OEK - TKP 433
 RI 93 Gem SI/Kalf: 100 / 7
 Oud. / Kalwers 12j. 12md. / 7

BLOMVLEI SW 070050 - B P
 0065616161 - 22-SEP-07 1%

BLOMVLEI SW 110008 - SP P
 0073313496 - 27-APR-11 1%

OEK 41.9 TKP 408
 RI 83 Gem SI/Kalf: 109 / 1
 Oud. / Kalwers 4j. 11md. / 2

- LZ 970062 - SP -
 0042955435 - 21-OCT-97 1%

OEK - TKP 417
 RI 96 Gem SI/Kalf: 99 / 9
 Oud. / Kalwers 14j. 11md. / 9

ZW BOOMERANG BG 950027 - SP -
 0043247139 - 04-NOV-95 3%

MOTSWIRI AJB 960101 - A -
 0042274480 - 10-OCT-96 0%

ZW BOOMERANG BG 950103 - SP -
 0044845451 - 25-NOV-95 4%

- HT 950030 - SP -
 0044845428 - 21-NOV-95 0%

MEGA M 040002 - SP P
 0048821524 - 14-MAR-04 5%

BLOMVLEI SW 040075 - A H
 0049135528 - 07-OCT-04 0%

- LZ9041 - - -
 0045077500 - 01-OCT-90 0%

- LZ916 - - -
 0045077518 - 21-AUG-91 0%

Seleksie waarde	KALF GEMAK ★★★		MELK ★★★		KALFGROEI ★★★		ONDERHOUD ★★★			GROEI TOETS					VRUGBAARHEID ★★			KOEI WAARDE	GROEI WAARDE	PRODUKSIE WAARDE						
	105 ₇₂	109 ₆₀	96 ₇₁	102 ₂₁	GDT	Kleiber	VOV	Lengte	Hoogte	SO	OEK	TKP	★★★	★★★★	★★★★											
Geb gew	Geb Mat	Melk	Speen gew	Naspeen	Volw. gewig	GDT	Kleiber	VOV	Lengte	Hoogte	SO	OEK	TKP	★★★	★★★★	★★★★										
.32	74	-1	57	4.6	60	2.1	71	8.1	58	7	21	138	19	48	19	-	32	19	15	21	15.5	24	6.6	41	1.6	15
27(7.2%)				202 (109)	242(110)	342(107)																				
Opmerkings: Liggeel poenskap, sterk bul. Skaars genetica uit Insindi stoet, Zimbabwe. Ultstekende indekse en teelwaardes															Semen skenker: Nee Toetse: - Inent. -											

LOT 189

0442495, S.A. WELZ, POSBUS 521695, SAXONWOLD, 2132, (T)011-447 2858



Name Ident. number Sex Section Reg. number Birth Date
BLOMVLEI SW 140023 MALE SP 0079986444 13-AUG-14

SW 140023

DNA: P2918/15

BLOMVLEI SW 140023 - SP SC
 0079986444 - 13-AUG-14 3%

BLOMVLEI SW 080032 - SP P
 0066645953 - 26-MAY-08 6%

PISIRI PS 020118 - SP -
 0047280979 - 24-SEP-02 11%

BLOMVLEI SW 050040 - SP P
 0060013364 - 23-MAY-05 4%

AFC 36.1 ICP 489
 RI 89 Avg. Wt/Calf: 112 / 5
 Age / Calves 9j. 1md. / 5

BLOMVLEI SW 060039 - SP P
 0063613590 - 02-SEP-06 4%

BLOMVLEI SW 100005 - B H
 0070486915 - 25-MAR-10 1%

AFC 38.4 ICP 406
 RI 94 Avg. Wt/Calf: 129 / 2
 Age / Calves 6j. 0md. / 3

BUROWILL ASE 990042 - A -
 0042471466 - 07-OCT-99 0%

AFC 28.7 ICP 424
 RI 104 Avg. Wt/Calf: 110 / 10
 Age / Calves 16j. 3md. / 12

SIGIDI HKL 972004 - SP -
 0040707440 - 25-NOV-97 7%

LARYN JM 940042 - SP -
 0032701526 - 28-OCT-94 9%

NONNIE CR 010015 - SP P
 0044826162 - 25-JUL-01 12%

- LB 950058 - SP -
 0039643572 - 23-OCT-95 4%

MOTSWIRI AJB 020021 - B -
 0046814281 - 24-SEP-02 5%

- HT 990005 - SP -
 0044845857 - 16-MAY-99 2%

- J 960107 - SP -
 0041181660 - 13-AUG-96 2%

BUROWILL ASE 960016 - BS -
 0042274274 - 01-OCT-96 0%

Selection value	CALVING EASE ☆☆		MILK ★★★★☆		CALF GRWTH. ★★★★☆		MAINTENANCE ★		GROWTH TEST					FERTILITY ★★★			COW VALUE ★★★★	GROWTH VALUE	PRODUCTION VALUE
	72 ₇₂	113 ₅₅	134 ₆₇	67 ₂₀	ADG	Kleiber	FCR	Length	Height	SC	AFC	ICP	102 ₂₅						
Birth wght	Birth Mat	Milk	Wean wght	Post wean	Mature wght														
61	116	113	134	118	133	135	123	-	139	135	136	80	109	112 ₄₁	-	-	-		
3.77 ₇₄	-.36 ₅₅	5.9 ₅₅	15.4 ₆₇	16.8 ₅₃	44 ₂₀	198 ₁₃	50 ₁₃	-	56 ₁₅	33 ₁₇	28 ₁₉	16.6 ₃₅	-4 ₁₅						
Weights/Index			246 (125)	252 (126)	363 (117)														
Remarks: Yellow, scurs Excellent indices & breeding values																Semen donor: No Tests: - Vacc. -			

LOT 190

0442495, S.A. WELZ, POSBUS 521695, SAXONWOLD, 2132, (T)011-447 2858



Naam Ident. nommer Geslag Afdeling Reg. nommer Geboorte Datum
BLOMVLEI SW 140042 MANLIK SP 0080713712 29-OCT-14

SW 140042

DNS: -

BLOMVLEI SW 140042 - SP P
 0080713712 - 29-OCT-14 7%

BLOMVLEI SW 080043 - SP P
 0068334176 - 19-AUG-08 4%

NONNIE CR 010015 - SP P
 0044826162 - 25-JUL-01 12%

- LB 950058 - SP -
 0039643572 - 23-OCT-95 4%

OEK - TKP 481
 RI 91 Gem SI/Kalf: 111 / 8
 Oud. / Kalwers 15j. 3md. / 8

BLOMVLEI SW 070050 - B P
 0065616161 - 22-SEP-07 1%

BLOMVLEI SW 110015 - SP P
 0073313553 - 18-MAY-11 3%

OEK 41.4 TKP -
 RI 74 Gem SI/Kalf: 106 / 1
 Oud. / Kalwers 4j. 10md. / 1

BLOMVLEI SW 080005 - SP P
 0066297573 - 10-APR-08 6%

OEK 37.2 TKP -
 RI 87 Gem SI/Kalf: 88 / 1
 Oud. / Kalwers 4j. 6md. / 1

NONNIE CR 960004 - SP -
 0036882744 - 29-JUL-96 7%

NONNIE CR 960001 - SP -
 0035540202 - 20-MAR-96 6%

ZW LEBAR LB9239 - - -
 0045056777 - 14-OCT-92 11%

- LB 870127 - SP -
 0046193637 - 23-NOV-87 0%

MEGA M 040002 - SP P
 0048821524 - 14-MAR-04 5%

BLOMVLEI SW 040075 - A H
 0049135528 - 07-OCT-04 0%

PISIRI PS 020118 - SP -
 0047280979 - 24-SEP-02 11%

BLOMVLEI SW 050015 - SP P
 0060017902 - 10-APR-05 5%

Seleksie waarde	KALF GEMAK ★★★		MELK ★★★		KALFGROEI ★★★		ONDERHOUD ★★★★		GROEI TOETS					VRUGBAARHEID ★★★			KOEI WAARDE ★★★	GROEI WAARDE	PRODUKSIE WAARDE
	94 ₇₂	101 ₅₈	106 ₇₀	111 ₁₇	GDT	Kleiber	VOV	Lengte	Hoogte	SO	OEK	TKP	98 ₂₂						
Geb gew	Geb Mat	Melk	Speen gew	Naspeen	Volw. gewig														
92	116	101	106	89										83	103	105 ₄₀	-		
1.27 ₇₄	-.36 ₅₆	2.2 ₅₈	5.3 ₇₀	6.7 ₅₆	-3.17	-	-	-	-	-	-	-	-	13.7 ₃₇	-2.7 ₈				
29 (9.5%)			199 (106)	240 (108)	343 (107)														
Opmerkings: Yellow polled bull																Semen skenker: Nee Toetse: - Inent. -			

LOT 191

0442495, S.A. WELZ, POSBUS 521695, SAXONWOLD, 2132, (T)011-447 2858



Name Ident. number Sex Section Reg. number Birth Date
BLOMVLEI SW 140044 MALE B 0080713746 30-OCT-14

BLOMVLEI SW 140044

DNA: -

BLOMVLEI SW 140044 - B P
 0080713746 - 30-OCT-14 3%

BLOMVLEI SW 060039 - SP P
 0063613590 - 02-SEP-06 4%

BLOMVLEI SW 080012 - A -
 0072057805 - 20-APR-08 0%

AFC - ICP 415
 RI 105 Avg. Wt/Calf: 99 / 4
 Age / Calves 7j. 11md. / 5

MOTSWIRI AJB 020021 - B -
 0046814281 - 24-SEP-02 5%

- HT 990005 - SP -
 0044845857 - 16-MAY-99 2%

AFC - ICP 433
 RI 93 Avg. Wt/Calf: 100 / 7
 Age / Calves 12j. 12md. / 7

MEGA M 040002 - SP P
 0048821524 - 14-MAR-04 5%

---- -
 --- -%
 --- -%
 --- -%

Avg. Wt/Calf: -

ZW BOOMERANG BG 950027 - SP -
 0043247139 - 04-NOV-95 3%

MOTSWIRI AJB 960101 - A -
 0042274480 - 10-OCT-96 0%

ZW BOOMERANG BG 950103 - SP -
 0044845451 - 25-NOV-95 4%

- HT 950030 - SP -
 0044845428 - 21-NOV-95 0%

ZW BOOMERANG BG 940025 - SP -
 0036749745 - 04-OCT-94 3%

ZW BOOMERANG BG 980087 - SP -
 0044845733 - 22-OCT-98 6%

---- -
 --- -%
 --- -%
 --- -%

Selection value	CALVING EASE ☆☆		MILK ☆☆☆☆		CALF GRWTH. ☆☆☆☆		MAINTENANCE ☆☆☆			GROWTH TEST					FERTILITY ☆☆			COW VALUE ☆☆☆	GROWTH VALUE ☆☆☆☆	PRODUCTION VALUE ☆☆☆
	70 ₇₂		111 ₅₉		112 ₇₀		101 ₂₀													
Birth wght	Birth Mat	Milk	Wean wght	Post wean	Mature wght	ADG	Kleiber	FCR	Length	Height	SC	AFC	ICP							
71	94	111	112	110	99	126	131	-	118	118	119	105	83							
2.94 ₇₄	.37 ₅₇	5.1 ₅₉	7.6 ₇₀	12.2 ₅₆	7 ₂₀	168 ₂₃	60 ₂₃	-	39 ₂₄	24 ₂₆	20.3 ₂₈	-5.4 ₃₈	2.6 ₁₅							
40(8%)			198 (99)	233 (99)	337(101)															
Remarks: Dark yellow, dehorned														Semen donor: No Tests: - Vacc. -						

LOT 192

0442495, S.A. WELZ, POSBUS 521695, SAXONWOLD, 2132, (T)011-447 2858



Naam Ident. nommer Geslag Afdeling Reg. nommer Geboorte Datum
BLOMVLEI SW 140054 MANLIK SP 0080713936 12-NOV-14

BLOMVLEI SW 140054

DNS: -

BLOMVLEI SW 140054 - SP SC
 0080713936 - 12-NOV-14 3%

BLOMVLEI SW 090023 - SP SC
 0068916774 - 03-JUN-09 5%

BLOMVLEI SW 100053 - B P
 0071976799 - 04-NOV-10 2%

OEK 34.3 TKP 424
 RI 98 Gem SI/Kalf: 88 / 2
 Oud. / Kalwers 5j. 5md. / 2

HBH HBH 030739 - B PP
 0048040240 - 10-OCT-03 4%

BLOMVLEI SW 050028 - SP P
 0060004926 - 09-MAY-05 2%

OEK 36.1 TKP 372
 RI 107 Gem SI/Kalf: 101 / 6
 Oud. / Kalwers 8j. 11md. / 6

BLOMVLEI SW 060039 - SP P
 0063613590 - 02-SEP-06 4%

BLOMVLEI SW 040121 - A -
 0049336704 - 01-DEC-04 0%

OEK - TKP 368
 RI 115 Gem SI/Kalf: 117 / 5
 Oud. / Kalwers 7j. 10md. / 5

ZW BOOMERANG BG 960053 - SP -
 0043293216 - 10-NOV-96 4%

HBH HBH 950103 - A -
 0035200708 - 27-OCT-95 6%

BLOMVLEI SW 010040 - SP -
 0045340163 - 22-OCT-01 6%

BLOMVLEI SW 960001 - B -
 0037212651 - 18-OCT-96 0%

MOTSWIRI AJB 020021 - B -
 0046814281 - 24-SEP-02 5%

- HT 990005 - SP -
 0044845857 - 16-MAY-99 2%

---- -
 --- -%
 --- -%
 --- -%

- HT 990001 - SP -
 0044845840 - 10-JAN-99 5%

Seleksie waarde	KALF GEMAK ☆☆☆		MELK ☆☆☆		KALFGROEI ☆☆☆		ONDERHOUD ☆☆☆			GROEI TOETS					VRUGBAARHEID ☆☆☆			KOEI WAARDE ☆☆☆	GROEI WAARDE -	PRODUKSIE WAARDE -
	109 ₇₁		100 ₅₆		92 ₆₉		101 ₂₂													
Geb gew	Geb Mat	Melk	Speen gew	Naspeen	Volw. gewig	GDT	Kleiber	VOV	Lengte	Hoogte	SO	OEK	TKP							
108	106	100	92	98	99	104	105	-	105	107	101	107	107							
-0.2 ₇₃	-0.3 ₅₃	1.9 ₅₆	.4 ₆₉	5.5 ₄₆	8 ₂₂	103 ₁₄	27 ₁₄	-	28 ₁₇	17 ₁₉	12 ₂₀	-7.1 ₃₃	-3.7 ₁₄							
30(7.8%)			159 (96)	230(102)	331(103)															
Opmerkings: Horingdoppie.														Semen skenker: Nee Toetse: - Inent. -						

LOT 193

0442495, S.A. WELZ, POSBUS 521695, SAXONWOLD, 2132, (T)011-447 2858



Name Ident. number Sex Section Reg. number Birth Date
BLOMVLEI SW 140063 MALE SP 0080840515 24-NOV-14

SW 140063

DNA: -

BLOMVLEI SW 140063 - SP P
 0080840515 - 24-NOV-14 5%

BLOMVLEI SW 100052 - SP P
 0071976781 - 03-NOV-10 4%

BLOMVLEI SW 070050 - B P
 0065616161 - 22-SEP-07 1%

BLOMVLEI SW 050015 - SP P
 0060017902 - 10-APR-05 5%

AFC 36 ICP 430
 RI 97 Avg. Wt/Calf: 99 / 4
 Age / Calves 7j. 6md. / 4

GENERAALS DRAAI H 030074 - SP -
 0048220511 - 23-OCT-03 5%

BLOMVLEI SW 080058 - B P
 0067146282 - 29-SEP-08 2%

AFC 35 ICP 384
 RI 105 Avg. Wt/Calf: 94 / 3
 Age / Calves 7j. 6md. / 5

BLOMVLEI SW 030031 - A -
 0047516190 - 09-SEP-03 0%

AFC - ICP 386
 RI 111 Avg. Wt/Calf: 92 / 2
 Age / Calves 8j. 10md. / 3

MEGA M 040002 - SP P
 0048821524 - 14-MAR-04 5%

BLOMVLEI SW 040075 - A H
 0049135528 - 07-OCT-04 0%

NONNIE CR 010015 - SP P
 0044826162 - 25-JUL-01 12%

BLOMVLEI SW 960004 - SP -
 0037212685 - 25-OCT-96 3%

NONNIE CR 990035 - SP -
 0042514281 - 14-SEP-99 7%

GENERAALS DRAAI H 940065 - B -
 0033807272 - 21-DEC-94 0%

---- -
 --- -%

ZW BOOMERANG BG 900039 - SP -
 0028628998 - 11-OCT-90 1%

Selection value	CALVING EASE ☆☆☆		MILK ☆☆☆		CALF GRWTH. ☆☆☆		MAINTENANCE ☆☆☆			GROWTH TEST					FERTILITY ☆☆☆			COW VALUE ☆☆☆	GROWTH VALUE	PRODUCTION VALUE
	99 ⁷²	93 ⁵⁵	99 ⁶⁹	99 ¹⁹						SC	AFC	ICP	109 ²²							
Birth wght	Birth Mat	Milk	Wean wght	Post wean	Mature wght	ADG	Kleiber	FCR	Length	Height	SC	AFC	ICP	95 ⁴⁰	-	-				
98	102	93	99	100	101	-	-	-	97	97	99	94	112	95 ⁴⁰	-	-				
Breeding value index	.76 ⁷⁴	.1 ⁵⁵	-2 ⁵⁵	3 ⁶⁹	6.6 ⁵³	9 ¹⁹	-	-	21 ⁸	11 ¹¹	11.1 ¹¹	4 ³²	-4.8 ¹²							
Breeding value	Semen donor: No																			
Weights/Index	27(5.9%)	Tests: -																		
Remarks: Yellow, polled																				
Vacc. -																				

LOT 194

0442495, S.A. WELZ, POSBUS 521695, SAXONWOLD, 2132, (T)011-447 2858



Naam Ident. nommer Geslag Afdeling Reg. nommer Geboorte Datum
BLOMVLEI SW 140020 MANLIK SP 0079986436 07-AUG-14

SW 140020

DNS: P2917/15

BLOMVLEI SW 140020 - SP P
 0079986436 - 07-AUG-14 16%

BLOMVLEI SW 080043 - SP P
 0068334176 - 19-AUG-08 4%

NONNIE CR 010015 - SP P
 0044826162 - 25-JUL-01 12%

- LB 950058 - SP -
 0039643572 - 23-OCT-95 4%

OEK - TKP 481
 RI 91 Gem SI/Kalf: 111 / 8
 Oud. / Kalwers 15j. 3md. / 8

NONNIE CR 010015 - SP P
 0044826162 - 25-JUL-01 12%

BLOMVLEI SW 110020 - B H
 0073313561 - 03-JUL-11 3%

OEK 37.2 TKP 438
 RI 91 Gem SI/Kalf: 86 / 1
 Oud. / Kalwers 4j. 9md. / 2

BLOMVLEI SW 080034 - A -
 0072057821 - 29-MAY-08 0%

OEK - TKP 422
 RI 103 Gem SI/Kalf: 93 / 2
 Oud. / Kalwers 7j. 10md. / 3

NONNIE CR 960004 - SP -
 0036882744 - 29-JUL-96 7%

NONNIE CR 960001 - SP -
 0035540202 - 20-MAR-96 6%

ZW LEBAR LB9239 --
 0045056777 - 14-OCT-92 11%

- LB 870127 - SP -
 0046193637 - 23-NOV-87 0%

NONNIE CR 960004 - SP -
 0036882744 - 29-JUL-96 7%

NONNIE CR 960001 - SP -
 0035540202 - 20-MAR-96 6%

MEGA M 040002 - SP P
 0048821524 - 14-MAR-04 5%

---- -
 --- -%

Seleksie waarde	KALF GEMAK ☆☆☆☆		MELK ☆☆☆		KALFGROEI ☆☆		ONDERHOUD ☆☆☆☆			GROEI TOETS					VRUGBAARHEID ☆☆☆☆			KOEI WAARDE ☆☆☆	GROEI WAARDE	PRODUKSIE WAARDE
	112 ⁷²	101 ⁵⁸	87 ⁶⁹	112 ¹²						SO	OEK	TKP	112 ²¹							
Geb gew	Geb Mat	Melk	Speen gew	Naspeen	Volw. gewig	GDT	Kleiber	VOV	Lengte	Hoogte	SO	OEK	TKP	105 ³⁸	-	-				
108	125	101	87	80	88	-	-	-	-	-	-	112	109	105 ³⁸	-	-				
Teeltwaarde	-0.2 ⁷⁴	-0.68 ⁵⁷	2.3 ⁵⁸	-1.3 ⁶⁹	-4.7 ⁵⁶	-4.12	-	-	-	-	-	-12.3 ³⁵	-4.1 ⁷							
Gewig/Index	26(6.4%)	Semen skenker: Nee																		
Opmerkings: Dark yellow polled bull, good depth																				
Toetse: -																				
Inent. -																				

LOT 195

0442495, S.A. WELZ, POSBUS 521695, SAXONWOLD, 2132, (T)011-447 2858



Name Ident. number Sex Section Reg. number Birth Date
BLOMVLEI SW 120055 MALE SP 0076047919 29-OCT-12

12 0055

DNA: -

BLOMVLEI SW 120055 - SP P
 0076047919 - 29-OCT-12 4%

BLOMVLEI SW 080043 - SP P
 0068334176 - 19-AUG-08 4%

BLOMVLEI SW 070014 - SP SC
 0064429954 - 22-APR-07 4%

AFC 29.7 ICP 501
 RI 96 Avg. Wt/Calf: 93 / 4
 Age / Calves 7j. 2md. / 4

NONNIE CR 010015 - SP P
 0044826162 - 25-JUL-01 12%

- LB 950058 - SP -
 0039643572 - 23-OCT-95 4%

AFC - ICP 481
 RI 91 Avg. Wt/Calf: 111 / 8
 Age / Calves 15j. 3md. / 8

MOTSWIRI AJB 020021 - B -
 0046814281 - 24-SEP-02 5%

BLOMVLEI SW 960004 - SP -
 0037212685 - 25-OCT-96 3%

AFC 35.3 ICP 400
 RI 105 Avg. Wt/Calf: 106 / 12
 Age / Calves 15j. 11md. / 12

NONNIE CR 960004 - SP -
 0036882744 - 29-JUL-96 7%

NONNIE CR 960001 - SP -
 0035540202 - 20-MAR-96 6%

ZW LEBAR LB9239 -- -
 0045056777 - 14-OCT-92 11%

- LB 870127 - SP -
 0046193637 - 23-NOV-87 0%

ZW BOOMERANG BG 950027 - SP -
 0043247139 - 04-NOV-95 3%

MOTSWIRI AJB 960101 - A -
 0042274480 - 10-OCT-96 0%

- J 922802 - SP -
 0033733973 - 26-JUN-92 11%

ZW BOOMERANG BG 900039 - SP -
 0028628998 - 11-OCT-90 1%

Selection value	CALVING EASE ★★		MILK ★★★★		CALF GRWTH. ★★		MAINTENANCE ★★★★			GROWTH TEST					FERTILITY ★★★			COW VALUE	GROWTH VALUE	PRODUCTION VALUE
	87 ₇₃	111 ₆₀	89 ₇₂	111 ₂₀									95 ₃₀							
Birth wght	Birth Mat	Milk	Wean wght	Post wean	Mature wght	ADG	Kleiber	FCR	Length	Height	SC	AFC	ICP	★★						
85	116	111	89	87	89	98	101	-	94	95	101	120	88	89 ₄₄			-	-		
1.83 ₇₅	-.39 ₅₈	5.1 ₆₀	-.6 ₇₂	-.5 ₆₅	-.3 ₂₀	84 ₁₂	22 ₁₂	-	19 ₉	10 ₁₂	11.9 ₁₉	18.9 ₄₀	1.1 ₁₉				-	-		
Weights/Index		36(8.2%)		166 (89)		178 (95)		216 (88)								Semen donor: No Tests: - Vacc. -				
Remarks: Geel Poenskop																				

LOT 196

0442495, S.A. WELZ, POSBUS 521695, SAXONWOLD, 2132, (T)011-447 2858



Naam Ident. nommer Geslag Afdeling Reg. nommer Geboorte Datum
BLOMVLEI SW 120066 MANLIK B 0076431311 05-NOV-12

SW120066

DNS: -

BLOMVLEI SW 120066 - B P
 0076431311 - 05-NOV-12 2%

BLOMVLEI SW 080043 - SP P
 0068334176 - 19-AUG-08 4%

BLOMVLEI SW 080014 - A -
 0072057813 - 28-APR-08 0%

OEK - TKP 363
 RI 117 Gem SI/Kalf: 101 / 3
 Oud. / Kalwers 7j. 11md. / 3

NONNIE CR 010015 - SP P
 0044826162 - 25-JUL-01 12%

- LB 950058 - SP -
 0039643572 - 23-OCT-95 4%

OEK - TKP 481
 RI 91 Gem SI/Kalf: 111 / 8
 Oud. / Kalwers 15j. 3md. / 8

MEGA M 040002 - SP P
 0048821524 - 14-MAR-04 5%

---- -
 --- -%
 --- -
 --- -%

Gem SI/Kalf: -

NONNIE CR 960004 - SP -
 0036882744 - 29-JUL-96 7%

NONNIE CR 960001 - SP -
 0035540202 - 20-MAR-96 6%

ZW LEBAR LB9239 -- -
 0045056777 - 14-OCT-92 11%

- LB 870127 - SP -
 0046193637 - 23-NOV-87 0%

ZW BOOMERANG BG 940025 - SP -
 0036749745 - 04-OCT-94 3%

ZW BOOMERANG BG 980087 - SP -
 0044845733 - 22-OCT-98 6%

Seleksie waarde	KALF GEMAK ★★★		MELK ★★★		KALFGROEI ★★★		ONDERHOUD ★★★			GROEI TOETS					VRUGBAARHEID ★★★			KOEI WAARDE	GROEI WAARDE	PRODUKSIE WAARDE
	98 ₇₁	109 ₅₈	105 ₇₀	108 ₁₈									102 ₂₆							
Geb gew	Geb Mat	Melk	Speen gew	Naspeen	Volw. gewig	GDT	Kleiber	VOV	Lengte	Hoogte	SO	OEK	TKP	★★★★						
96	116	109	105	97	92	115	114	-	113	117	114	110	99	114 ₄₂			-	-		
.97 ₇₃	-.36 ₅₆	4.6 ₅₈	5.2 ₇₀	5.1 ₆₃	0 ₁₈	137 ₁₃	39 ₁₃	-	35 ₁₆	23 ₁₈	18 ₁₈	10.2 ₃₅	-1.6 ₁₆				-	-		
Gewig/Index		34(9.1%)		186 (104)		186(102)		227 (94)								Semen skenker: Nee Toetse: - Inent. -				
Opmerkings: Geel poenskop. Oupa is CR01-15 Goeie teelwaardes																				

LOT 197

0442495, S.A. WELZ, POSBUS 521695, SAXONWOLD, 2132, (T)011-447 2858



Name Ident. number Sex Section Reg. number Birth Date
BLOMVLEI SW 120070 MALE SP 0076431352 06-NOV-12

SW120070

DNA: -

BLOMVLEI SW 120070 - SP P
 0076431352 - 06-NOV-12 5%

BLOMVLEI SW 080043 - SP P
 0068334176 - 19-AUG-08 4%

BLOMVLEI SW 070055 - B P
 0065616088 - 29-SEP-07 4%

AFC 35.7 ICP 380
 RI 105 Avg. Wt/Calf: 93 / 3
 Age / Calves 8j. 6md. / 5

NONNIE CR 010015 - SP P
 0044826162 - 25-JUL-01 12%

- LB 950058 - SP -
 0039643572 - 23-OCT-95 4%

AFC - ICP 481
 RI 91 Avg. Wt/Calf: 111 / 8
 Age / Calves 15j. 3md. / 8

PISIRI PS 020118 - SP -
 0047280979 - 24-SEP-02 11%

BLOMVLEI SW 020069 - A -
 0046770186 - 19-OCT-02 0%

AFC - ICP 402
 RI 108 Avg. Wt/Calf: 96 / 8
 Age / Calves 11j. 9md. / 9

NONNIE CR 960004 - SP -

0036882744 - 29-JUL-96 7%

NONNIE CR 960001 - SP -

0035540202 - 20-MAR-96 6%

ZW LEBAR LB9239 - -

0045056777 - 14-OCT-92 11%

- LB 870127 - SP -

0046193637 - 23-NOV-87 0%

SIGIDI HKL 972004 - SP -

0040707440 - 25-NOV-97 7%

LARYN JM 940042 - SP -

0032701526 - 28-OCT-94 9%

---- -

--- -%

BLOMVLEI SW 950006 - SP -

0034222240 - 05-AUG-95 6%

Selection value	CALVING EASE ★★		MILK ★★		CALF GRWTH. ★★★		MAINTENANCE ★★★			GROWTH TEST					FERTILITY ★★★			COW VALUE	GROWTH VALUE	PRODUCTION VALUE
	86 ₇₂	89 ₆₀	109 ₇₂	95 ₂₃									113 ₂₉							
Birth wght	Birth Mat	Milk	Wean wght	Post wean	Mature wght	ADG	Kleiber	FCR	Length	Height	SC	AFC	ICP	★★★						
83	122	89	109	98	105	100	98	-	103	108	104	84	119	★★★	91 ₄₅	-	-			
1.96 ₇₄	-.56 ₅₇	-1.4 ₆₀	6.5 ₇₂	5.8 ₆₅	14 ₂₃	91 ₁₁	18 ₁₁	-	26 ₁₆	18 ₁₈	13.6 ₁₈	12.9 ₃₉	-6.5 ₁₉							
36(9%)			178 (97)	162 (84)	219 (89)															
Remarks: Well muscled, dark red, polled bull															Semen donor: No Tests: - Vacc. -					

LOT 198

0442495, S.A. WELZ, POSBUS 521695, SAXONWOLD, 2132, (T)011-447 2858



Naam Ident. nommer Geslag Afdeling Reg. nommer Geboorte Datum
BLOMVLEI SW 120079 MANLIK SP 0076431444 15-NOV-12

SW120079

DNS: -

BLOMVLEI SW 120079 - SP SC
 0076431444 - 15-NOV-12 6%

BLOMVLEI SW 080032 - SP P
 0066645953 - 26-MAY-08 6%

BLOMVLEI SW 080081 - B P
 0067749150 - 02-NOV-08 4%

OEK 37.2 TKP 343
 RI 98 Gem SI/Kalf: 92 / 2
 Oud. / Kalwers 4j. 9md. / 2

PISIRI PS 020118 - SP -
 0047280979 - 24-SEP-02 11%

BLOMVLEI SW 050040 - SP P
 0060013364 - 23-MAY-05 4%

OEK 36.1 TKP 489
 RI 89 Gem SI/Kalf: 112 / 5
 Oud. / Kalwers 9j. 1md. / 5

MEGA M 030004 - SP P
 0048821201 - 23-FEB-03 10%

BLOMVLEI SW 980045 - A -
 0043368414 - 02-NOV-98 7%

OEK - TKP 370
 RI 115 Gem SI/Kalf: 100 / 11
 Oud. / Kalwers 13j. 8md. / 11

SIGIDI HKL 972004 - SP -

0040707440 - 25-NOV-97 7%

LARYN JM 940042 - SP -

0032701526 - 28-OCT-94 9%

NONNIE CR 010015 - SP P

0044826162 - 25-JUL-01 12%

- LB 950058 - SP -

0039643572 - 23-OCT-95 4%

ZW BOOMERANG BG 940025 - SP -

0036749745 - 04-OCT-94 3%

ZW BOOMERANG BG 980107 - SP -

0044845782 - 07-NOV-98 3%

- LB 950090 - SP -

0038911681 - 01-NOV-95 6%

JAMBO J 941886 - SP -

0035228253 - 11-SEP-94 9%

Seleksie waarde	KALF GEMAK ★★★		MELK ★★★		KALFGROEI ★★★		ONDERHOUD ★★★			GROEI TOETS					VRUGBAARHEID ★★★			KOEI WAARDE	GROEI WAARDE	PRODUKSIE WAARDE
	93 ₇₂	92 ₅₈	99 ₇₁	96 ₂₂									115 ₂₄							
Geb gew	Geb Mat	Melk	Speen gew	Naspeen	Volw. gewig	GDT	Kleiber	VOV	Lengte	Hoogte	SO	OEK	TKP	★★★						
90	121	92	99	97	104	-	-	-	101	103	103	98	117	★★★	90 ₄₂	-				
1.45 ₇₄	-.55 ₅₅	-.4 ₅₈	3 ₇₁	4.8 ₆₄	13 ₂₂	-	-	-	24 ₁₀	14 ₁₃	12.9 ₁₄	5.3 ₃₈	-6 ₁₃							
34(8.8%)			171 (94)	186(102)	236 (98)															
Opmerkings: Dagha bull small scur. Interesting genetics															Semen skenker: Nee Toetse: - Inent. -					

LOT 199

0442495, S.A. WELZ, POSBUS 521695, SAXONWOLD, 2132, (T)011-447 2858



Name Ident. number Sex Section Reg. number Birth Date
BLOMVLEI SW 120081 MALE SP 0076431469 22-NOV-12

SW120081

DNA: -

BLOMVLEI SW 120081 - SP P
 0076431469 - 22-NOV-12 6%

BLOMVLEI SW 080008 - SP P
 0066297607 - 15-APR-08 6%

BLOMVLEI SW 080089 - B P
 0067749283 - 12-NOV-08 1%

AFC 35.2 ICP 445
 RI 96 Avg. Wt/Calf: 104 / 4
 Age / Calves 7j. 5md. / 4

PISIRI PS 020118 - SP -
 0047280979 - 24-SEP-02 11%

ZW BOOMERANG BG 990101 - SP -
 0044846087 - 10-DEC-99 7%

AFC 35.3 ICP 419
 RI 102 Avg. Wt/Calf: 92 / 11
 Age / Calves 16j. 4md. / 12

MEGA M 030004 - SP P
 0048821201 - 23-FEB-03 10%

BUROWILL ASE 990053 - A -
 0042514471 - 24-OCT-99 0%

AFC 27.4 ICP 403
 RI 110 Avg. Wt/Calf: 103 / 7
 Age / Calves 11j. 7md. / 8

SIGIDI HKL 972004 - SP -
 0040707440 - 25-NOV-97 7%

LARYN JM 940042 - SP -
 0032701526 - 28-OCT-94 9%

ZW BOOMERANG BG 930025 - SP -
 0037012291 - 12-NOV-93 4%

ZW BOOMERANG BG 890115 - SP -
 0044844918 - 05-JAN-90 3%

ZW BOOMERANG BG 940025 - SP -
 0036749745 - 04-OCT-94 3%

ZW BOOMERANG BG 980107 - SP -
 0044845782 - 07-NOV-98 3%

- J 960107 - SP -
 0041181660 - 13-AUG-96 2%

BUROWILL ASE 960005 - BS -
 0042274241 - 01-OCT-96 0%

Selection value	CALVING EASE ★★★		MILK ★★★		CALF GRWTH. ★★★		MAINTENANCE ★★★			GROWTH TEST					FERTILITY ★★★			COW VALUE ★★★	GROWTH VALUE	PRODUCTION VALUE
	94 ₇₂	91 ₅₈	98 ₇₁	98 ₂₃						116 ₂₇										
Birth wght	Birth Mat	Milk	Wean wght	Post wean	Mature wght	ADG	Kleiber	FCR	Length	Height	SC	AFC	ICP							
94	105	91	98	93	102	101	102	-	101	103	101	96	119	90 ₄₃	-	-	-			
1.14 ₇₄	-.02 ₅₄	-.7 ₅₈	2.5 ₇₁	3 ₆₄	11 ₂₃	93 ₁₁	24 ₁₁	-	25 ₁₅	15 ₁₈	12 ₁₈	2.5 ₃₈	-6.6 ₁₆	Semen donor: No						
34(8.8%)			194 (110)	191(105)	250(105)									Tests: -						
Remarks: Yellow polled bull														Vacc. -						

LOT 200

0442495, S.A. WELZ, POSBUS 521695, SAXONWOLD, 2132, (T)011-447 2858



Naam Ident. nommer Geslag Afdeling Reg. nommer Geboorte Datum
GREAT KAROO XY 120025 MANLIK SP 0076698596 21-AUG-12

XY 120025

DNS: UP649/16

GREAT KAROO XY 120025 - SP P
 0076698596 - 21-AUG-12 6%

GREAT KAROO XY 100049 - SP P
 0072399447 - 18-SEP-10 4%

GREAT KAROO XY 090050 - SP P
 0070192521 - 03-NOV-09 4%

OEK 33.6 TKP 391
 RI 105 Gem SI/Kalf: 101 / 3
 Oud. / Kalwers 6j. 5md. / 4

HBH HBH 040858 - SP -
 0049514623 - 18-NOV-04 5%

GREAT KAROO XY 070028 - B P
 0065609885 - 02-DEC-07 2%

OEK 33.5 TKP 358
 RI 109 Gem SI/Kalf: 97 / 2
 Oud. / Kalwers 8j. 4md. / 4

HBH HBH 061018 - SP P
 0063656821 - 03-NOV-06 4%

AVONDALE ADM 000054 - SP -
 0043490937 - 31-JUL-00 4%

OEK 36.9 TKP 420
 RI 100 Gem SI/Kalf: 105 / 8
 Oud. / Kalwers 15j. 8md. / 9

ZW BOOMERANG BG 960053 - SP -
 0043293216 - 10-NOV-96 4%

HBH HBH 980330 - B -
 0041546003 - 10-OCT-98 5%

GENERAALSDRAAI H 000036 - SP -
 0044438521 - 23-OCT-00 4%

GREAT KAROO XY 030026 - A -
 0047962592 - 14-OCT-03 0%

NONNIE CR 010028 - SP P
 0044861573 - 13-AUG-01 5%

HBH HBH 020686 - SP -
 0046849956 - 06-NOV-02 2%

HBH HBH 970261 - SP -
 0039522172 - 13-OCT-97 4%

LARYN JM 970081 - SP -
 0039478847 - 12-DEC-97 5%

Seleksie waarde	KALF GEMAK ★★		MELK ★★★★		KALFGROEI ★★★★		ONDERHOUD ★★			GROEI TOETS					VRUGBAARHEID ★★★			KOEI WAARDE ★★★	GROEI WAARDE ★★★★	PRODUKSIE WAARDE ★★★★
	80 ₇₃	114 ₅₈	110 ₇₀	76 ₂₃						92 ₂₆										
Geb gew	Geb Mat	Melk	Speen gew	Naspeen	Volw. gewig	GDT	Kleiber	VOV	Lengte	Hoogte	SO	OEK	TKP							
81	95	114	110	108	124	106	100	-	108	109	107	87	96	95 ₄₃	104 ₃₇	100 ₄₂				
2.16 ₇₅	.33 ₅₇	6.1 ₅₈	6.8 ₇₀	11.5 ₅₇	34 ₂₃	109 ₃₄	21 ₃₄	-	30 ₃₈	18 ₄₁	14.7 ₄₀	10.7 ₃₇	-8 ₁₆	Semen skenker: Nee						
35(6.9%)			255 (100)	322(116)	490(115)									Toetse: -						
Opmerkings: Yellow polled bull. Used in Stud														Inent. -						

LOT 201

0442495, S.A. WELZ, POSBUS 521695, SAXONWOLD, 2132, (T)011-447 2858



Name Ident. number Sex Section Reg. number Birth Date
BLOMVLEI SW 130016 MALE SP 0077999480 23-JUN-13

130016

DNA: -

BLOMVLEI SW 130016 - SP P
 0077999480 - 23-JUN-13 5%

BLOMVLEI SW 060039 - SP P
 0063613590 - 02-SEP-06 4%

BLOMVLEI SW 070028 - SP H
 0065552002 - 22-MAY-07 3%

AFC 33.6 ICP 396
 RI 105 Avg. Wt/Calf: 103 / 4
 Age / Calves 8j. 10md. / 5

MOTSWIRI AJB 020021 - B -
 0046814281 - 24-SEP-02 5%

- HT 990005 - SP -
 0044845857 - 16-MAY-99 2%

AFC - ICP 433
 RI 93 Avg. Wt/Calf: 100 / 7
 Age / Calves 12j. 12md. / 7

- DK 952394 - SP -
 0039643861 - 04-MAY-95 3%

ZW BOOMERANG BG 900007 - SP -
 0028628956 - 12-OCT-90 1%

AFC 38.7 ICP 395
 RI 105 Avg. Wt/Calf: 98 / 11
 Age / Calves 17j. 7md. / 13

ZW BOOMERANG BG 950027 - SP -
 0043247139 - 04-NOV-95 3%

MOTSWIRI AJB 960101 - A -
 0042274480 - 10-OCT-96 0%

ZW BOOMERANG BG 950103 - SP -
 0044845451 - 25-NOV-95 4%

- HT 950030 - SP -
 0044845428 - 21-NOV-95 0%

ZW BOOMERANG BG 790286 - A -
 0045059433 - 30-NOV-79 4%

- DK 921254 - SP -
 0046238598 - 21-AUG-92 4%

ZW BOOMERANG BG 760003 - SP -
 0043293026 - 17-OCT-76 0%

ZW BOOMERANG BG 810185 - A -
 0046213682 - 26-OCT-81 0%

Selection value	CALVING EASE ★★★		MILK ★★★		CALF GRWTH. ★★★		MAINTENANCE ★★★★			GROWTH TEST					FERTILITY ★★			COW VALUE	GROWTH VALUE	PRODUCTION VALUE
	102 ₇₄	106 ₆₀	94 ₇₁	110 ₂₄									86 ₃₄							
Birth wght	Birth Mat	Milk	Wean wght	Post wean	Mature wght	ADG	Kleiber	FCR	Length	Height	SC	AFC	ICP	★★★	★★★★	★★★				
100	112	106	94	100	90	110	117	-	105	108	103	108	83	★★★	★★★★	★★★				
.66 ₇₅	-.26 ₆₀	3.7 ₆₀	1.1 ₇₁	6.8 ₆₄	-2 ₂₄	120 ₂₂	43 ₂₂	-	28 ₂₂	18 ₂₄	12.8 ₂₈	-8.5 ₄₇	2.5 ₂₁							
33(8%)			165 (89)	266 (98)	312 (96)															
Remarks: Donker geel poenskop bul														Semen donor: No Tests: - Vacc. -						

LOT 202

0442495, S.A. WELZ, POSBUS 521695, SAXONWOLD, 2132, (T)011-447 2858



Naam Ident. nommer Geslag Afdeling Reg. nommer Geboorte Datum
BLOMVLEI SW 130017 MANLIK SP 0077999498 24-JUN-13

130017

DNS: P2915/15

BLOMVLEI SW 130017 - SP P
 0077999498 - 24-JUN-13 6%

VEN PM 090011 - SP P
 0069818458 - 09-OCT-09 7%

BLOMVLEI SW 100004 - SP H
 0070486907 - 20-MAR-10 5%

OEK 39.2 TKP 360
 RI 98 Gem SI/Kalf: 95 / 3
 Oud. / Kalwers 6j. 0md. / 3

MEGA M 050012 - SP -
 0061497079 - 10-JUL-05 7%

MEGA M 060018 - SP P
 0064142532 - 19-AUG-06 7%

OEK 37.7 TKP 453
 RI 92 Gem SI/Kalf: 109 / 3
 Oud. / Kalwers 9j. 7md. / 5

BLOMVLEI SW 060039 - SP P
 0063613590 - 02-SEP-06 4%

BLOMVLEI SW 070026 - SP P
 0065550766 - 20-MAY-07 3%

OEK 34 TKP 478
 RI 94 Gem SI/Kalf: 98 / 3
 Oud. / Kalwers 6j. 3md. / 3

ZW BOOMERANG BG 940025 - SP -
 0036749745 - 04-OCT-94 3%

MEGA MM 990003 - SP -
 0045137924 - 21-AUG-99 5%

NONNIE CR 990045 - SP -
 0042514372 - 01-OCT-99 10%

MEGA M 030026 - SP P
 0048821417 - 31-OCT-03 8%

MOTSWIRI AJB 020021 - B -
 0046814281 - 24-SEP-02 5%

- HT 990005 - SP -
 0044845857 - 16-MAY-99 2%

- DK 952394 - SP -
 0039643861 - 04-MAY-95 3%

ZW BOOMERANG BG 900007 - SP -
 0028628956 - 12-OCT-90 1%

Seleksie waarde	KALF GEMAK ★★★		MELK ★★★		KALFGROEI ★★★★		ONDERHOUD ★★★			GROEI TOETS					VRUGBAARHEID ★★★			KOEI WAARDE	GROEI WAARDE	PRODUKSIE WAARDE
	97 ₆₉	101 ₅₄	111 ₆₇	102 ₁₂									100 ₂₂							
Geb gew	Geb Mat	Melk	Speen gew	Naspeen	Volw. gewig	GDT	Kleiber	VOV	Lengte	Hoogte	SO	OEK	TKP	★★★★	★★★★	★★★★				
.89 ₇₁	.12 ₄₉	2.3 ₅₄	7.3 ₆₇	17.8 ₅₈	7 ₁₂	129 ₂₄	33 ₂₄	-	36 ₂₉	19 ₃₂	9.6 ₃₂	103	99	111 ₃₈	116 ₂₈	116 ₃₆				
31(8.6%)			186 (105)	288(108)	333(103)															
Opmerkings: Besondere sjokelade bruin poenskop. Uitstekende teelwaardes. Potensiële Stoetvaar. Wye genepoel														Semen skenker: Nee Toetse: - Inent. -						

LOT 203

0442495, S.A. WELZ, POSBUS 521695, SAXONWOLD, 2132, (T)011-447 2858



Name Ident. number Sex Section Reg. number Birth Date
BLOMVLEI SW 130023 MALE SP 0078645074 17-AUG-13

SW 130023

DNA: P2916/15

BLOMVLEI SW 130023 - SP SC
 0078645074 - 17-AUG-13 9%

VEN PM 090011 - SP P
 0069818458 - 09-OCT-09 7%

MEGA M 050012 - SP -
 0061497079 - 10-JUL-05 7%

ZW BOOMERANG BG 940025 - SP -
 0036749745 - 04-OCT-94 3%

MEGA MM 990003 - SP -
 0045137924 - 21-AUG-99 5%

MEGA M 060018 - SP P
 0064142532 - 19-AUG-06 7%

NONNIE CR 990045 - SP -
 0042514372 - 01-OCT-99 10%

MEGA M 030026 - SP P
 0048821417 - 31-OCT-03 8%

AFC 37.7 ICP 453
 RI 92 Avg. Wt/Calf: 109 / 3
 Age / Calves 9j. 7md. / 5

ZW BOOMERANG BG 940025 - SP -
 0036749745 - 04-OCT-94 3%

MEGA M 030004 - SP P
 0048821201 - 23-FEB-03 10%

ZW BOOMERANG BG 980107 - SP -
 0044845782 - 07-NOV-98 3%

BLOMVLEI SW 100066 - B P
 0072056534 - 30-NOV-10 3%

AFC 32.6 ICP 401
 RI 104 Avg. Wt/Calf: 106 / 1
 Age / Calves 5j. 4md. / 3

BLOMVLEI SW 061069 - A -
 0070336334 - 25-OCT-06 0%

NONNIE CR 010015 - SP P
 0044826162 - 25-JUL-01 12%

AFC - ICP 362
 RI 117 Avg. Wt/Calf: 107 / 2
 Age / Calves 5j. 11md. / 2

---- -
 --- -%

Selection value	CALVING EASE ☆☆		MILK ☆☆☆☆		CALF GRWTH. ☆☆☆☆		MAINTENANCE ☆☆		GROWTH TEST					FERTILITY ☆☆☆☆			COW VALUE ☆☆☆☆	GROWTH VALUE ☆☆☆☆	PRODUCTION VALUE ☆☆☆☆
	78 ₇₀	110 ₅₂	127 ₆₄	88 ₉						124 ₂₀									
Birth wght	Birth Mat	Milk	Wean wght	Post wean	Mature wght	ADG	Kleiber	FCR	Length	Height	SC	AFC	ICP	118 ₃₅	113 ₂₆	117 ₃₃			
80	91	110	127	134	112	112	105	-	116	110	95	117	121	118 ₃₅	113 ₂₆	117 ₃₃			
2.25 ₇₂	.45 ₄₉	4.9 ₅₂	12.9 ₆₄	25.6 ₄₉	22 ₉	128 ₂₂	27 ₂₂	-	37 ₂₉	19 ₃₁	9.4 ₃₁	16.4 ₃₂	-7.2 ₉						
29(7.4%)			200 (106)	237(130)	338(129)									Semen donor: No Tests: - Vacc. -					
Remarks: Thick, scurred, red bull. Amazing breeding values																			

LOT 204

0442495, S.A. WELZ, POSBUS 521695, SAXONWOLD, 2132, (T)011-447 2858



Naam Ident. nommer Geslag Afdeling Reg. nommer Geboorte Datum
BLOMVLEI SW 130046 MANLIK B 0078645363 17-OCT-13

SW 130046

DNS: -

BLOMVLEI SW 130046 - B P
 0078645363 - 17-OCT-13 3%

BLOMVLEI SW 060039 - SP P
 0063613590 - 02-SEP-06 4%

MOTSWIRI AJB 020021 - B -
 0046814281 - 24-SEP-02 5%

ZW BOOMERANG BG 950027 - SP -
 0043247139 - 04-NOV-95 3%

MOTSWIRI AJB 960101 - A -
 0042274480 - 10-OCT-96 0%

- HT 990005 - SP -
 0044845857 - 16-MAY-99 2%

ZW BOOMERANG BG 950103 - SP -
 0044845451 - 25-NOV-95 4%

- HT 950030 - SP -
 0044845428 - 21-NOV-95 0%

OEK - TKP 433
 RI 93 Gem SI/Kalf: 100 / 7
 Oud. / Kalwers 12j. 12md. / 7

NONNIE CR 010015 - SP P
 0044826162 - 25-JUL-01 12%

NONNIE CR 960004 - SP -
 0036882744 - 29-JUL-96 7%

NONNIE CR 960001 - SP -
 0035540202 - 20-MAR-96 6%

BLOMVLEI SW 060055 - A -
 0067874917 - 12-OCT-06 0%

OEK - TKP 364
 RI 116 Gem SI/Kalf: 101 / 5
 Oud. / Kalwers 9j. 6md. / 5

---- -
 --- -%

Gem SI/Kalf: -

Seleksie waarde	KALF GEMAK ☆☆☆		MELK ☆☆☆☆		KALFGROEI ☆☆☆		ONDERHOUD ☆☆☆☆		GROEI TOETS					VRUGBAARHEID ☆☆☆			KOEI WAARDE ☆☆☆☆	GROEI WAARDE ☆☆☆☆	PRODUKSIE WAARDE ☆☆☆☆
	93 ₇₂	112 ₅₉	101 ₇₀	111 ₂₁						105 ₂₈									
Geb gew	Geb Mat	Melk	Speen gew	Naspeen	Volw. gewig	GDT	Kleiber	VOV	Lengte	Hoogte	SO	OEK	TKP	110 ₄₃	110 ₂₃	111 ₃₉			
1.26 ₇₄	.02 ₅₈	5.5 ₅₉	3.9 ₇₀	9.6 ₆₄	-2 ₂₁	138 ₂₀	46 ₂₀	-	32 ₂₁	109 ₂₃	15.9 ₂₅	18.1 ₄₀	-1.8 ₁₇	Semen skenker: Nee Toetse: - Inent. -					
32(7.3%)			196 (111)	234(126)	320(120)									Opmerkings: Geel poenskop. Besondere teelwaardes. Vaar Rebel en grootvaar CR 01-15					

LOT 205

0442495, S.A. WELZ, POSBUS 521695, SAXONWOLD, 2132, (T)011-447 2858



Name Ident. number Sex Section Reg. number Birth Date
BLOMVLEI SW 130075 MALE SP 0079238986 11-NOV-13

SW 130075

DNA: -

BLOMVLEI SW 130075 - SP P
 0079238986 - 11-NOV-13 7%

BLOMVLEI SW 080043 - SP P
 0068334176 - 19-AUG-08 4%

BLOMVLEI SW 080084 - SP H
 0067749184 - 07-NOV-08 10%

AFC 34.9 ICP 388
 RI 104 Avg. Wt/Calf: 109 / 4
 Age / Calves 7j. 5md. / 4

NONNIE CR 010015 - SP P
 0044826162 - 25-JUL-01 12%

- LB 950058 - SP -
 0039643572 - 23-OCT-95 4%

AFC - ICP 481
 RI 91 Avg. Wt/Calf: 111 / 8
 Age / Calves 15j. 3md. / 8

PULU PT 010037 - SP -
 0045340189 - 22-OCT-01 10%

BLOMVLEI SW 010057 - SP -
 0045453909 - 16-NOV-01 9%

AFC 36.4 ICP 480
 RI 90 Avg. Wt/Calf: 106 / 3
 Age / Calves 8j. 5md. / 4

NONNIE CR 960004 - SP -

0036882744 - 29-JUL-96 7%

NONNIE CR 960001 - SP -

0035540202 - 20-MAR-96 6%

ZW LEBAR LB9239 - - -

0045056777 - 14-OCT-92 11%

- LB 870127 - SP -

0046193637 - 23-NOV-87 0%

JAMBO J 942990 - SP -

0035453182 - 06-JUL-94 12%

SIGIDI HKL 950008 - SP -

0038230868 - 15-OCT-95 13%

- ELK 940506 - SP -

0041181876 - 04-AUG-94 12%

- DK 971675 - SP -

0042955583 - 14-AUG-97 7%

Selection value	CALVING EASE ★★★		MILK ★★★★		CALF GRWTH. ★★★		MAINTENANCE ★★★		GROWTH TEST					FERTILITY ★★★			COW VALUE	GROWTH VALUE	PRODUCTION VALUE
	101 ₇₃	115 ₆₀	109 ₇₂	104 ₂₃						112 ₃₀									
Birth wght	Birth Mat	Milk	Wean wght	Post wean	Mature wght	ADG	Kleiber	FCR	Length	Height	SC	AFC	ICP	★★★★					
99	112	115	109	107	96	103	96	-	-	-	112	110	110	★★★★	125 ₄₅	-	-		
.7 ₇₅	-.23 ₅₉	6.3 ₆₀	6.4 ₇₂	10.7 ₆₄	5 ₂₃	100 ₇	16 ₇	-	-	-	17 ₁₇	10.4 ₄₀	-4.3 ₁₉						
31(8%)			176 (111)	201(109)	275(102)														
Remarks: Dagha poenskop met uitstekende teelwaardes															Semen donor: No Tests: - Vacc. -				

LOT 206

0442495, S.A. WELZ, POSBUS 521695, SAXONWOLD, 2132, (T)011-447 2858



Naam Ident. nommer Geslag Afdeling Reg. nommer Geboorte Datum
BLOMVLEI SW 140067 MANLIK SP 0080713829 27-NOV-14

SW 140067

DNS: -

BLOMVLEI SW 140067 - SP P
 0080713829 - 27-NOV-14 4%

BLOMVLEI SW 060039 - SP P
 0063613590 - 02-SEP-06 4%

BLOMVLEI SW 110058 - B H
 0074522368 - 29-OCT-11 4%

OEK 37 TKP -
 RI 88 Gem SI/Kalf: 104 / 1
 Oud. / Kalwers 4j. 5md. / 1

MOTSWIRI AJB 020021 - B -
 0046814281 - 24-SEP-02 5%

- HT 990005 - SP -
 0044845857 - 16-MAY-99 2%

OEK - TKP 433
 RI 93 Gem SI/Kalf: 100 / 7
 Oud. / Kalwers 12j. 12md. / 7

GENERAALSDRAAI H 030011 - SP -
 0047197751 - 11-MAY-03 6%

BLOMVLEI SW 060055 - A -
 0067874917 - 12-OCT-06 0%

OEK - TKP 364
 RI 116 Gem SI/Kalf: 101 / 5
 Oud. / Kalwers 9j. 6md. / 5

ZW BOOMERANG BG 950027 - SP -

0043247139 - 04-NOV-95 3%

MOTSWIRI AJB 960101 - A -

0042274480 - 10-OCT-96 0%

ZW BOOMERANG BG 950103 - SP -

0044845451 - 25-NOV-95 4%

- HT 950030 - SP -

0044845428 - 21-NOV-95 0%

ZW BOOMERANG BG 960092 - SP -

0043293224 - 30-OCT-96 9%

- LB 950105 - SP -

0039595996 - 08-NOV-95 10%

NONNIE CR 010015 - SP P
 0044826162 - 25-JUL-01 12%

Seleksie waarde	KALF GEMAK ★★★		MELK ★★★		KALFGROEI ★★★		ONDERHOUD ★★★		GROEI TOETS					VRUGBAARHEID ★★★			KOEI WAARDE	GROEI WAARDE	PRODUKSIE WAARDE
	102 ₇₃	99 ₆₁	99 ₇₂	108 ₂₃						95 ₃₀									
Geb gew	Geb Mat	Melk	Speen gew	Naspeen	Volw. gewig	GDT	Kleiber	VOV	Lengte	Hoogte	SO	OEK	TKP	★★★★	★★★★	★★★★			
100	109	99	99	101	92	110	114	-	108	105	106	113	91	★★★★	★★★★	★★★★			
.59 ₇₅	-.16 ₅₉	1.6 ₆₁	3.1 ₇₂	7.2 ₅₈	0 ₂₃	122 ₂₀	38 ₂₀	-	30 ₂₁	16 ₂₃	14.3 ₂₆	12.8 ₄₃	4 ₁₈						
29(8.6%)			169 (104)	225(107)	- (-)														
Opmerkings: Liggeel poenskop															Semen skenker: Nee Toetse: - Inent. -				

LOT 207

0442495, S.A. WELZ, POSBUS 521695, SAXONWOLD, 2132, (T)011-447 2858



Name Ident. number Sex Section Reg. number Birth Date
BLOMVLEI SW 150006 MALE SP 0082024993 18-MAY-15

SW 150006
 DNA: P657/16

BLOMVLEI SW 150006 - SP -
 0082024993 - 18-MAY-15 0%

BLOMVLEI SW 100052 - SP P
 0071976781 - 03-NOV-10 4%

BLOMVLEI SW 070050 - B P
 0065616161 - 22-SEP-07 1%

BLOMVLEI SW 050015 - SP P
 0060017902 - 10-APR-05 5%
 AFC 36 ICP 430
 RI 97 Avg. Wt/Calf: 99 / 4
 Age / Calves 7j. 6md. / 4

BLOMVLEI SW 060039 - SP P
 0063613590 - 02-SEP-06 4%

BLOMVLEI SW 100058 - B P
 0071976849 - 07-NOV-10 1%
 AFC 37 ICP 526
 RI 85 Avg. Wt/Calf: 99 / 2
 Age / Calves 5j. 5md. / 2

BUROWILL ASE 990056 - A -
 0042514505 - 24-OCT-99 0%
 AFC 27.6 ICP 395
 RI 111 Avg. Wt/Calf: 105 / 9
 Age / Calves 12j. 11md. / 10

- MEGA M 040002 - SP** P
0048821524 - 14-MAR-04 5%
- BLOMVLEI SW 040075 - A** H
0049135528 - 07-OCT-04 0%
- NONNIE CR 010015 - SP** P
0044826162 - 25-JUL-01 12%
- BLOMVLEI SW 960004 - SP** -
0037212685 - 25-OCT-96 3%
- MOTSWIRI AJB 020021 - B** -
0046814281 - 24-SEP-02 5%
- HT 990005 - SP** -
0044845857 - 16-MAY-99 2%
- J 960107 - SP** -
0041181660 - 13-AUG-96 2%
- BUROWILL ASE 960014 - BS** -
0042274266 - 01-OCT-96 0%

Selection value	CALVING EASE ☆☆☆		MILK ☆☆☆☆		CALF GRWTH. ☆☆☆		MAINTENANCE ☆☆		GROWTH TEST					FERTILITY ☆☆☆			COW VALUE ☆☆☆	GROWTH VALUE	PRODUCTION VALUE	
	98 ⁶⁶	113 ³²	92 ³⁷	83 ¹⁵						111 ¹⁹										
Birth wght	Birth Mat	Milk	Wean wght	Post wean	Mature wght	ADG	Kleiber	FCR	Length	Height	SC	AFC	ICP	☆☆☆						
99	91	113	92	117	117	100	106	-	96	93	83	89	116	98 ²⁷	-	-				
Breeding value index	.73 ⁶⁸	.45 ⁴⁶	5.7 ³²	.6 ³⁷	16.3 ³⁴	27 ¹⁵	90 ¹⁰	29 ¹⁰	-	20 ¹⁰	9 ¹⁰	4.1 ¹²	8.5 ²⁷	-5.8 ¹¹	Semen donor: No					
Breeding value	Tests: -																			
Weights/Index	33(6.6%)		182 (99)		- (-)		- (-)		-									Vacc. -		
Remarks:	Red, polled.																			

LOT 208

0442495, S.A. WELZ, POSBUS 521695, SAXONWOLD, 2132, (T)011-447 2858



Naam Ident. nommer Geslag Afdeling Reg. nommer Geboorte Datum
BLOMVLEI SW 150008 MANLIK SP 0082025016 21-MAY-15

SW 150008
 DNS: P659/16

BLOMVLEI SW 150008 - SP -
 0082025016 - 21-MAY-15 0%

BLOMVLEI SW 060039 - SP P
 0063613590 - 02-SEP-06 4%

MOTSWIRI AJB 020021 - B -
 0046814281 - 24-SEP-02 5%

- HT 990005 - SP -
 0044845857 - 16-MAY-99 2%
 OEK - TKP 433
 RI 93 Gem SI/Kalf: 100 / 7
 Oud. / Kalwers 12j. 12md. / 7

BLOMVLEI SW 090022 - SP P
 0068916766 - 02-JUN-09 9%
 OEK 33.2 TKP 390
 RI 106 Gem SI/Kalf: 91 / 4
 Oud. / Kalwers 6j. 10md. / 4

NONNIE CR 010015 - SP P
 0044826162 - 25-JUL-01 12%

ZW BOOMERANG BG 990058 - SP -
 0044846046 - 06-DEC-99 8%
 OEK 40 TKP 410
 RI 101 Gem SI/Kalf: 93 / 11
 Oud. / Kalwers 15j. 2md. / 11

- ZW BOOMERANG BG 950027 - SP** -
0043247139 - 04-NOV-95 3%
- MOTSWIRI AJB 960101 - A** -
0042274480 - 10-OCT-96 0%
- ZW BOOMERANG BG 950103 - SP** -
0044845451 - 25-NOV-95 4%
- HT 950030 - SP** -
0044845428 - 21-NOV-95 0%
- NONNIE CR 960004 - SP** -
0036882744 - 29-JUL-96 7%
- NONNIE CR 960001 - SP** -
0035540202 - 20-MAR-96 6%
- ZW BOOMERANG BG 930025 - SP** -
0037012291 - 12-NOV-93 4%
- ZW BOOMERANG BG 930083 - SP** -
0044845295 - 31-DEC-93 5%

Seleksie waarde	KALF GEMAK ☆☆☆☆		MELK ☆☆		KALFGROEI ☆☆		ONDERHOUD ☆☆☆		GROEI TOETS					VRUGBAARHEID ☆☆☆☆			KOEI WAARDE ☆☆☆	GROEI WAARDE	PRODUKSIE WAARDE	
	121 ⁶⁶	89 ³²	80 ³⁷	92 ¹⁷						138 ²⁴										
Geb gew	Geb Mat	Melk	Speen gew	Naspeen	Volw. gewig	GDT	Kleiber	VOV	Lengte	Hoogte	SO	OEK	TKP	☆☆☆						
121	92	89	80	99	108	88	93	-	87	88	76	97	144	96 ²⁹	-	-				
Teeltwaarde index	-1.04 ⁶⁸	.42 ⁴⁷	-1.2 ³²	-3.7 ³⁷	6.3 ³²	17 ¹⁷	56 ¹⁰	12 ¹⁰	-	12 ¹²	6 ¹⁴	1.7 ³⁰	12.8 ¹⁷	Semen skenker: Nee						
Teeltwaarde	Toetse: -																			
Gewig/Indeks	27(5.5%)		157 (83)		- (-)		- (-)		-									Inent. -		
Opmerkings:	Yellow																			

LOT 209

0442495, S.A. WELZ, POSBUS 521695, SAXONWOLD, 2132, (T)011-447 2858



Name Ident. number Sex Section Reg. number Birth Date
BLOMVLEI SW 150009 MALE SP 0082025024 23-MAY-15

SW 150009

DNA: P660/16

BLOMVLEI SW 150009 - SP -
 0082025024 - 23-MAY-15 0%

BLOMVLEI SW 100018 - SP P
 0071011761 - 25-MAY-10 5%

BLOMVLEI SW 060039 - SP P
 0063613590 - 02-SEP-06 4%

BLOMVLEI SW 070027 - SP P
 0065551988 - 20-MAY-07 3%

NONNIE CR 010015 - SP P
 0044826162 - 25-JUL-01 12%

BLOMVLEI SW 110007 - B P
 0073313488 - 27-APR-11 1%

AFC 38.1 ICP 326
 RI 97 Avg. Wt/Calf: 97 / 1
 Age / Calves 4j. 11md. / 2

BLOMVLEI SW 040075 - A H
 0049135528 - 07-OCT-04 0%

AFC - ICP 454
 RI 96 Avg. Wt/Calf: 106 / 6
 Age / Calves 11j. 6md. / 7

MOTSWIRI AJB 020021 - B -
 0046814281 - 24-SEP-02 5%

- HT 990005 - SP -
 0044845857 - 16-MAY-99 2%

- DK 952394 - SP -
 0039643861 - 04-MAY-95 3%

ZW BOOMERANG BG 900007 - SP -
 0028628956 - 12-OCT-90 1%

NONNIE CR 960004 - SP -
 0036882744 - 29-JUL-96 7%

NONNIE CR 960001 - SP -
 0035540202 - 20-MAR-96 6%

---- -
 --- -%

BUROWILL ASE 990042 - A -
 0042471466 - 07-OCT-99 0%

Selection value	CALVING EASE ★★★		MILK ★★★		CALF GRWTH. ★★★		MAINTENANCE ★★		GROWTH TEST					FERTILITY ★★★★☆			COW VALUE ★★★	GROWTH VALUE -	PRODUCTION VALUE -
	89 ⁶⁶	105 ³¹	101 ³⁶	81 ¹⁶						131 ²²									
Birth wght	Birth Mat	Milk	Wean wght	Post wean	Mature wght	ADG	Kleiber	FCR	Length	Height	SC	AFC	ICP						
90	89	105	101	121	119	99	100	-	99	96	82	85	144	97 ²⁸	-	-	-		
1.41 ⁶⁸	.51 ⁴⁶	3.3 ³¹	3.7 ³⁶	18.3 ³³	29 ¹⁶	89 ¹¹	21 ¹¹	-	23 ¹²	10 ¹³	3.5 ¹³	12 ²⁸	12.7 ¹⁵						
32(6.7%)			179 (97)	- (-)	- (-)									Semen donor: No Tests: - Vacc. -					
Remarks: Yellow dehorned																			

LOT 210

0442495, S.A. WELZ, POSBUS 521695, SAXONWOLD, 2132, (T)011-447 2858



Naam Ident. nommer Geslag Afdeling Reg. nommer Geboorte Datum
BLOMVLEI SW 150010 MANLIK SP 0082025032 24-MAY-15

SW 150010

DNS: P661/16

BLOMVLEI SW 150010 - SP -
 0082025032 - 24-MAY-15 0%

BLOMVLEI SW 100052 - SP P
 0071976781 - 03-NOV-10 4%

BLOMVLEI SW 070050 - B P
 0065616161 - 22-SEP-07 1%

BLOMVLEI SW 050015 - SP P
 0060017902 - 10-APR-05 5%

OEK 36 TKP 430
 RI 97 Gem SI/Kalf: 99 / 4
 Oud. / Kalwers 7j. 6md. / 4

BLOMVLEI SW 100032 - SP P
 0071491674 - 28-SEP-10 6%

OEK 36.9 TKP 577
 RI 82 Gem SI/Kalf: 102 / 2
 Oud. / Kalwers 5j. 6md. / 2

BLOMVLEI SW 060039 - SP P
 0063613590 - 02-SEP-06 4%

BLOMVLEI SW 070067 - SP P
 0065467011 - 12-OCT-07 4%

OEK 35.5 TKP 372
 RI 106 Gem SI/Kalf: 88 / 4
 Oud. / Kalwers 8j. 6md. / 5

MEGA M 040002 - SP P
 0048821524 - 14-MAR-04 5%

BLOMVLEI SW 040075 - A H
 0049135528 - 07-OCT-04 0%

NONNIE CR 010015 - SP P
 0044826162 - 25-JUL-01 12%

BLOMVLEI SW 960004 - SP -
 0037212685 - 25-OCT-96 3%

MOTSWIRI AJB 020021 - B -
 0046814281 - 24-SEP-02 5%

- HT 990005 - SP -
 0044845857 - 16-MAY-99 2%

BLOMVLEI SW 030030 - B -
 0047516182 - 08-SEP-03 0%

BLOMVLEI SW 050003 - SP P
 0049456718 - 05-JAN-05 8%

Seleksie waarde	KALF GEMAK ★★★		MELK ★★★		KALFGROEI ★★★		ONDERHOUD ★★		GROEI TOETS					VRUGBAARHEID ★★★★☆			KOEI WAARDE ★★★	GROEI WAARDE -	PRODUKSIE WAARDE -
	101 ⁶⁶	96 ³¹	98 ³⁷	87 ¹⁶						114 ²⁰									
Geb gew	Geb Mat	Melk	Speen gew	Naspeen	Volw. gewig	GDT	Kleiber	VOV	Lengte	Hoogte	SO	OEK	TKP						
101	97	96	98	120	113	98	104	-	94	89	85	88	119	95 ²⁷	-	-	-		
.57 ⁶⁸	.26 ⁴⁶	.6 ³¹	2.5 ³⁷	17.9 ³⁴	23 ¹⁶	84 ⁷	26 ⁷	-	19 ⁸	6 ⁹	4.8 ¹¹	9.5 ²⁸	-6.7 ¹¹	Semen skenker: Nee Toetse: - Inent. -					
32(6.5%)			184 (100)	- (-)	- (-)									Opmerkings: Rooi poenskop					

LOT 211

0442495, S.A. WELZ, POSBUS 521695, SAXONWOLD, 2132, (T)011-447 2858



Name Ident. number Sex Section Reg. number Birth Date
BLOMVLEI SW 150014 MALE SP 0082025099 28-MAY-15

SW 150014

DNA: P665/16

BLOMVLEI SW 150014 - SP -
 0082025099 - 28-MAY-15 0%

BLOMVLEI SW 060039 - SP P
 0063613590 - 02-SEP-06 4%

BLOMVLEI SW 090035 - SP -
 0069362929 - 19-SEP-09 5%

AFC 36.8 ICP 479
 RI 89 Avg. Wt/Calf: 107 / 3
 Age / Calves 6j. 6md. / 3

MOTSWIRI AJB 020021 - B -
 0046814281 - 24-SEP-02 5%

- HT 990005 - SP -
 0044845857 - 16-MAY-99 2%

AFC - ICP 433
 RI 93 Avg. Wt/Calf: 100 / 7
 Age / Calves 12j. 12md. / 7

HBH HBH 030739 - B PP
 0048040240 - 10-OCT-03 4%

BLOMVLEI SW 050015 - SP P
 0060017902 - 10-APR-05 5%

AFC 36 ICP 430
 RI 97 Avg. Wt/Calf: 99 / 4
 Age / Calves 7j. 6md. / 4

ZW BOOMERANG BG 950027 - SP -
 0043247139 - 04-NOV-95 3%

MOTSWIRI AJB 960101 - A -
 0042274480 - 10-OCT-96 0%

ZW BOOMERANG BG 950103 - SP -
 0044845451 - 25-NOV-95 4%

- HT 950030 - SP -
 0044845428 - 21-NOV-95 0%

ZW BOOMERANG BG 960053 - SP -
 0043293216 - 10-NOV-96 4%

HBH HBH 950103 - A -
 0035200708 - 27-OCT-95 6%

NONNIE CR 010015 - SP P
 0044826162 - 25-JUL-01 12%

BLOMVLEI SW 960004 - SP -
 0037212685 - 25-OCT-96 3%

Selection value	CALVING EASE ☆☆		MILK ☆☆☆		CALF GRWTH. ☆☆☆☆		MAINTENANCE ☆☆		GROWTH TEST					FERTILITY ☆☆☆☆			COW VALUE ☆☆☆	GROWTH VALUE	PRODUCTION VALUE
	72 ⁶⁶	105 ³²	113 ³⁸	87 ²¹						111 ²²									
Birth wght	Birth Mat	Milk	Wean wght	Post wean	Mature wght	ADG	Kleiber	FCR	Length	Height	SC	AFC	ICP						
Breeding value index	73	94	105	113	127	113	96	95	-	99	100	86	92	114	93 ²⁹	-	-		
Breeding value	2.78 ⁶⁸	.34 ⁴⁶	3.5 ³²	7.9 ³⁸	21.9 ³⁴	22 ²¹	81 ¹⁵	15 ¹⁵	-	23 ¹⁷	13 ¹⁸	5.1 ¹⁸	5.7 ²⁸	-5.4 ¹⁵					
Weights/Index	39(7.3%)			178 (97)	- (-)	- (-)									Semen donor: No Tests: - Vacc. -				
Remarks: Cream white polled																			

LOT 212

0442495, S.A. WELZ, POSBUS 521695, SAXONWOLD, 2132, (T)011-447 2858



Naam Ident. nommer Geslag Afdeling Reg. nommer Geboorte Datum
BLOMVLEI SW 150015 MANLIK SP 0082025222 02-JUN-15

SW 150015

DNS: P666/16

BLOMVLEI SW 150015 - SP -
 0082025222 - 02-JUN-15 0%

BLOMVLEI SW 100052 - SP P
 0071976781 - 03-NOV-10 4%

BLOMVLEI SW 020005 - SP -
 0045859642 - 17-MAR-02 6%

OEK 31.1 TKP 431
 RI 102 Gem SI/Kalf: 107 / 9
 Oud. / Kalwers 14j. 0md. / 10

BLOMVLEI SW 070050 - B P
 0065616161 - 22-SEP-07 1%

BLOMVLEI SW 050015 - SP P
 0060017902 - 10-APR-05 5%

OEK 36 TKP 430
 RI 97 Gem SI/Kalf: 99 / 4
 Oud. / Kalwers 7j. 6md. / 4

- LB 950090 - SP -
 0038911681 - 01-NOV-95 6%

- DK 951462 - SP -
 0039643671 - 29-APR-95 5%

OEK - TKP 379
 RI 103 Gem SI/Kalf: 110 / 10
 Oud. / Kalwers 15j. 9md. / 10

MEGA M 040002 - SP P
 0048821524 - 14-MAR-04 5%

BLOMVLEI SW 040075 - A H
 0049135528 - 07-OCT-04 0%

NONNIE CR 010015 - SP P
 0044826162 - 25-JUL-01 12%

BLOMVLEI SW 960004 - SP -
 0037212685 - 25-OCT-96 3%

ZW LEBAR LB9239 --
 0045056777 - 14-OCT-92 11%

ZW LEBAR LB90200 --
 0045055910 - 03-DEC-90 0%

ZW BOOMERANG BG 790286 - A -
 0045059433 - 30-NOV-79 4%

- DK 921266 - SP -
 0046239109 - 16-SEP-92 14%

Seleksie waarde	KALF GEMAK ☆☆		MELK ☆☆☆☆		KALFGROEI ☆☆☆☆		ONDERHOUD ☆☆		GROEI TOETS					VRUGBAARHEID ☆☆☆☆			KOEI WAARDE ☆☆☆	GROEI WAARDE	PRODUKSIE WAARDE
	86 ⁶⁶	114 ³⁵	110 ⁴⁰	75 ²⁰						114 ²³									
Geb gew	Geb Mat	Melk	Speen gew	Naspeen	Volw. gewig	GDT	Kleiber	VOV	Lengte	Hoogte	SO	OEK	TKP						
Teeltwaarde index	87	98	114	110	128	125	107	101	-	111	106	90	97	117	106 ³⁰	-	-		
Teeltwaarde	1.68 ⁶⁸	.23 ⁴⁸	6.1 ³⁵	6.9 ⁴⁰	22.7 ³⁶	35 ²⁰	112 ¹²	22 ¹²	-	33 ¹⁵	16 ¹⁷	7 ¹⁷	1.3 ³⁰	-6 ¹⁶	Semen skenker: Nee Toetse: - Inent. -				
Gewig/Indeks	32(5.5%)			165 (88)	- (-)	- (-)													
Opmerkings: Rooi																			

LOT 213

0442495, S.A. WELZ, POSBUS 521695, SAXONWOLD, 2132, (T)011-447 2858



Name Ident. number Sex Section Reg. number Birth Date
BLOMVLEI SW 150020 MALE SP 0082025230 14-JUN-15

SW 150020
 DNA: P671/16

BLOMVLEI SW 150020 - SP -
 0082025230 - 14-JUN-15 0%

BLOMVLEI SW 120021 - SP P
 0075475749 - 30-MAY-12 2%

BLOMVLEI SW 070050 - B P
 0065616161 - 22-SEP-07 1%

BLOMVLEI SW 050028 - SP P
 0060004926 - 09-MAY-05 2%

AFC 36.1 ICP 372
 RI 107 Avg. Wt/Calf: 101 / 6
 Age / Calves 8j. 11md. / 6

BLOMVLEI SW 060039 - SP P
 0063613590 - 02-SEP-06 4%

BLOMVLEI SW 100004 - SP H
 0070486907 - 20-MAR-10 5%

AFC 39.2 ICP 360
 RI 98 Avg. Wt/Calf: 95 / 3
 Age / Calves 6j. 0md. / 3

BLOMVLEI SW 070026 - SP P
 0065550766 - 20-MAY-07 3%

AFC 34 ICP 478
 RI 94 Avg. Wt/Calf: 98 / 3
 Age / Calves 6j. 3md. / 3

MEGA M 040002 - SP P
 0048821524 - 14-MAR-04 5%

BLOMVLEI SW 040075 - A H
 0049135528 - 07-OCT-04 0%

BLOMVLEI SW 010040 - SP -
 0045340163 - 22-OCT-01 6%

BLOMVLEI SW 960001 - B -
 0037212651 - 18-OCT-96 0%

MOTSWIRI AJB 020021 - B -
 0046814281 - 24-SEP-02 5%

- HT 990005 - SP -
 0044845857 - 16-MAY-99 2%

- DK 952394 - SP -
 0039643861 - 04-MAY-95 3%

ZW BOOMERANG BG 900007 - SP -
 0028628956 - 12-OCT-90 1%

Selection value	CALVING EASE ★★★★☆		MILK ★★★☆☆		CALF GRWTH. ★★★☆☆		MAINTENANCE ★★★★☆		GROWTH TEST					FERTILITY ★★★★☆			COW VALUE	GROWTH VALUE	PRODUCTION VALUE
	119 ⁶⁵	98 ²⁸	87 ³¹	96 ¹⁵						112 ²²									
Birth wght	Birth Mat	Milk	Wean wght	Post wean	Mature wght	ADG	Kleiber	FCR	Length	Height	SC	AFC	ICP	★★★☆☆					
118	100	98	87	108	104	102	109	-	99	99	84	91	116	★★★☆☆	103 ²⁶	-	-		
-0.81 ⁶⁷	0.15 ⁴⁶	1.4 ²⁸	-1.4 ³¹	11.1 ²⁸	13 ¹⁵	98 ¹¹	32 ¹¹	-	23 ¹¹	12 ¹²	4.6 ¹⁴	6.6 ²⁹	-5.8 ¹⁴						
31(7.4%)			167 (89)	- (-)	- (-)														
Remarks: Dagha Onthoring														Semen donor: No Tests: - Vacc. -					

LOT 214

0442495, S.A. WELZ, POSBUS 521695, SAXONWOLD, 2132, (T)011-447 2858



Naam Ident. nommer Geslag Afdeling Reg. nommer Geboorte Datum
BLOMVLEI SW 150021 MANLIK SP 0082025248 17-JUN-15

SW 150021
 DNS: P672/16

BLOMVLEI SW 150021 - SP -
 0082025248 - 17-JUN-15 0%

BLOMVLEI SW 120021 - SP P
 0075475749 - 30-MAY-12 2%

BLOMVLEI SW 070050 - B P
 0065616161 - 22-SEP-07 1%

BLOMVLEI SW 050028 - SP P
 0060004926 - 09-MAY-05 2%

OEK 36.1 TKP 372
 RI 107 Gem SI/Kalf: 101 / 6
 Oud. / Kalwers 8j. 11md. / 6

BLOMVLEI SW 010040 - SP -
 0045340163 - 22-OCT-01 6%

BLOMVLEI SW 040087 - SP P
 0049336407 - 23-OCT-04 3%

OEK 35.9 TKP 399
 RI 104 Gem SI/Kalf: 96 / 8
 Oud. / Kalwers 11j. 5md. / 8

- LZ 970062 - SP -
 0042955435 - 21-OCT-97 1%

OEK - TKP 417
 RI 96 Gem SI/Kalf: 99 / 9
 Oud. / Kalwers 14j. 11md. / 9

MEGA M 040002 - SP P
 0048821524 - 14-MAR-04 5%

BLOMVLEI SW 040075 - A H
 0049135528 - 07-OCT-04 0%

BLOMVLEI SW 010040 - SP -
 0045340163 - 22-OCT-01 6%

BLOMVLEI SW 960001 - B -
 0037212651 - 18-OCT-96 0%

BLOMVLEI SW 950010 - SP -
 0034222281 - 06-AUG-95 7%

BLOMVLEI SW 950025 - SP -
 0034854802 - 03-DEC-95 25%

- LZ9041 - - -
 0045077500 - 01-OCT-90 0%

- LZ916 - - -
 0045077518 - 21-AUG-91 0%

Seleksie waarde	KALF GEMAK ★★★★☆		MELK ★★★☆☆		KALFGROEI ★★★☆☆		ONDERHOUD ★★★★☆		GROEI TOETS					VRUGBAARHEID ★★★★☆			KOEI WAARDE	GROEI WAARDE	PRODUKSIE WAARDE
	119 ⁶⁶	99 ³⁴	75 ⁴⁰	112 ²¹						116 ²²									
Geb gew	Geb Mat	Melk	Speen gew	Naspeen	Volw. gewig	GDT	Kleiber	VOV	Lengte	Hoogte	SO	OEK	TKP	★★★☆☆					
118	103	99	75	91	88	88	93	-	87	85	73	91	121	★★★☆☆	98 ³⁰	-	-		
-0.82 ⁶⁸	0.05 ⁴⁷	1.6 ³⁴	-5.7 ⁴⁰	1.8 ³⁴	-4.2 ¹	54 ¹¹	12 ¹¹	-	12 ¹³	4 ¹⁴	-5 ¹⁴	6.8 ²⁹	-7 ¹⁵						
32(7.2%)			186 (102)	- (-)	- (-)														
Opmerkings: Wit														Semen skenker: Nee Toetse: - Inent. -					

LOT 215

0442495, S.A. WELZ, POSBUS 521695, SAXONWOLD, 2132, (T)011-447 2858



Name Ident. number Sex Section Reg. number Birth Date
BLOMVLEI SW 150023 MALE SP 0082025263 23-JUN-15

SW 150023

DNA: P674/16

BLOMVLEI SW 150023 - SP -
 0082025263 - 23-JUN-15 0%

BLOMVLEI SW 120021 - SP P
 0075475749 - 30-MAY-12 2%

BLOMVLEI SW 070050 - B P
 0065616161 - 22-SEP-07 1%

BLOMVLEI SW 050028 - SP P
 0060004926 - 09-MAY-05 2%

AFC 36.1 ICP 372
 RI 107 Avg. Wt/Calf: 101 / 6
 Age / Calves 8j. 11md. / 6

ZW BOOMERANG BG 920001 - SP -
 0034054650 - 11-NOV-92 7%

BLOMVLEI SW 990043 - SP -
 0042742403 - 29-NOV-99 4%

AFC 33.2 ICP 444
 RI 98 Avg. Wt/Calf: 110 / 11
 Age / Calves 16j. 4md. / 11

- DK 951462 - SP -
 0039643671 - 29-APR-95 5%

AFC - ICP 379
 RI 103 Avg. Wt/Calf: 110 / 10
 Age / Calves 15j. 9md. / 10

MEGA M 040002 - SP P
 0048821524 - 14-MAR-04 5%

BLOMVLEI SW 040075 - A H
 0049135528 - 07-OCT-04 0%

BLOMVLEI SW 010040 - SP -
 0045340163 - 22-OCT-01 6%

BLOMVLEI SW 960001 - B -
 0037212651 - 18-OCT-96 0%

ZW BOOMERANG BG 880076 - SP -
 0034072850 - 07-DEC-88 1%

ZW BOOMERANG BG 810332 - B -
 0034072868 - 29-DEC-81 0%

ZW BOOMERANG BG 790286 - A -
 0045059433 - 30-NOV-79 4%

- DK 921266 - SP -
 0046239109 - 16-SEP-92 14%

Selection value	CALVING EASE ☆☆		MILK ☆☆☆☆		CALF GRWTH. ☆☆☆☆		MAINTENANCE ☆☆		GROWTH TEST					FERTILITY ☆☆☆☆			COW VALUE ☆☆☆	GROWTH VALUE	PRODUCTION VALUE
	74 ⁶⁷	113 ³⁷	104 ⁴¹	75 ²⁶						119 ²⁸									
Birth wght	Birth Mat	Milk	Wean wght	Post wean	Mature wght	ADG	Kleiber	FCR	Length	Height	SC	AFC	ICP						
79	62	113	104	124	125	104	107	-	100	101	85	95	122	90 ³⁴	-	-			
2.31 ⁶⁹	1.42 ⁴⁹	5.8 ³⁷	4.9 ⁴¹	20.4 ³⁸	35 ²⁶	103 ¹⁵	29 ¹⁵	-	24 ¹⁷	13 ¹⁸	4.6 ¹⁸	3.5 ³³	-7.3 ²³						
41(7.4%)			196 (108)	- (-)	- (-)									Semen donor: No Tests: - Vacc. -					
Remarks: Rooi Sterk																			

LOT 216

0442495, S.A. WELZ, POSBUS 521695, SAXONWOLD, 2132, (T)011-447 2858



Naam Ident. nommer Geslag Afdeling Reg. nommer Geboorte Datum
BLOMVLEI SW 150025 MANLIK SP 0082025271 29-JUN-15

SW 150025

DNS: P675/16

BLOMVLEI SW 150025 - SP -
 0082025271 - 29-JUN-15 0%

BLOMVLEI SW 100052 - SP P
 0071976781 - 03-NOV-10 4%

BLOMVLEI SW 070050 - B P
 0065616161 - 22-SEP-07 1%

BLOMVLEI SW 050015 - SP P
 0060017902 - 10-APR-05 5%

OEK 36 TKP 430
 RI 97 Gem SI/Kalf: 99 / 4
 Oud. / Kalwers 7j. 6md. / 4

ZW BOOMERANG BG 930025 - SP -
 0037012291 - 12-NOV-93 4%

ZW BOOMERANG BG 990101 - SP -
 0044846087 - 10-DEC-99 7%

OEK 35.3 TKP 419
 RI 102 Gem SI/Kalf: 92 / 11
 Oud. / Kalwers 16j. 4md. / 12

ZW BOOMERANG BG 890115 - SP -
 0044844918 - 05-JAN-90 3%

OEK 35.9 TKP 422
 RI 100 Gem SI/Kalf: / 0
 Oud. / Kalwers 19j. 12md. / 7

MEGA M 040002 - SP P
 0048821524 - 14-MAR-04 5%

BLOMVLEI SW 040075 - A H
 0049135528 - 07-OCT-04 0%

NONNIE CR 010015 - SP P
 0044826162 - 25-JUL-01 12%

BLOMVLEI SW 960004 - SP -
 0037212685 - 25-OCT-96 3%

ZW BOOMERANG BG 840221 - SP -
 0043293091 - 17-NOV-84 2%

ZW BOOMERANG BG 830154 - SP -
 0039595921 - 08-NOV-83 2%

ZW GUYU GU 782187 - SP -
 0043293034 - 30-OCT-78 10%

ZW BOOMERANG BG 830100 - SP -
 0044844348 - 29-SEP-83 0%

Seleksie waarde	KALF GEMAK ☆☆☆		MELK ☆☆☆		KALFGROEI ☆☆☆		ONDERHOUD ☆☆		GROEI TOETS					VRUGBAARHEID ☆☆☆☆			KOEI WAARDE ☆☆	GROEI WAARDE	PRODUKSIE WAARDE
	99 ⁶⁶	92 ³⁵	94 ³⁹	89 ²¹						122 ²⁶									
Geb gew	Geb Mat	Melk	Speen gew	Naspeen	Volw. gewig	GDT	Kleiber	VOV	Lengte	Hoogte	SO	OEK	TKP						
100	88	92	94	111	111	90	97	-	87	88	73	89	128	89 ³¹	-	-			
.6 ⁶⁸	.56 ⁴⁷	-.6 ³⁵	1 ³⁹	12.8 ³⁶	20 ²¹	60 ¹⁶	17 ¹⁶	-	13 ¹⁷	6 ¹⁸	-4 ¹⁸	8.7 ³²	-8.7 ²⁰	Semen skenker: Nee Toetse: - Inent. -					
35(7.6%)			- (-)	- (-)	- (-)									Opmerkings: Geel. Moeder geen tande. 12 kallers gehad oa 'n Stoetvaar. Ingevoer uit Zim					

LOT 217

0442495, S.A. WELZ, POSBUS 521695, SAXONWOLD, 2132, (T)011-447 2858



Name Ident. number Sex Section Reg. number Birth Date
BLOMVLEI SW 150026 MALE SP 0082025289 05-JUL-15

SW 150026

DNA: P676/16

BLOMVLEI SW 150026 - SP
 0082025289 - 05-JUL-15 0%

BLOMVLEI SW 060039 - SP P
 0063613590 - 02-SEP-06 4%

BLOMVLEI SW 120011 - SP P
 0075159178 - 03-MAY-12 5%

AFC 38 ICP -
 RI 85 Avg. Wt/Calf: 116 / 1
 Age / Calves 3j. 11md. / 1

MOTSWIRI AJB 020021 - B -
 0046814281 - 24-SEP-02 5%

- HT 990005 - SP -
 0044845857 - 16-MAY-99 2%

AFC - ICP 433
 RI 93 Avg. Wt/Calf: 100 / 7
 Age / Calves 12j. 12md. / 7

BLOMVLEI SW 070050 - B P
 0065616161 - 22-SEP-07 1%

ZW BOOMERANG BG 990101 - SP -
 0044846087 - 10-DEC-99 7%

AFC 35.3 ICP 419
 RI 102 Avg. Wt/Calf: 92 / 11
 Age / Calves 16j. 4md. / 12

ZW BOOMERANG BG 950027 - SP -
 0043247139 - 04-NOV-95 3%

MOTSWIRI AJB 960101 - A -
 0042274480 - 10-OCT-96 0%

ZW BOOMERANG BG 950103 - SP -
 0044845451 - 25-NOV-95 4%

- HT 950030 - SP -
 0044845428 - 21-NOV-95 0%

MEGA M 040002 - SP P
 0048821524 - 14-MAR-04 5%

BLOMVLEI SW 040075 - A H
 0049135528 - 07-OCT-04 0%

ZW BOOMERANG BG 930025 - SP -
 0037012291 - 12-NOV-93 4%

ZW BOOMERANG BG 890115 - SP -
 0044844918 - 05-JAN-90 3%

Selection value	CALVING EASE ☆☆☆		MILK ☆☆☆		CALF GRWTH. ☆☆☆		MAINTENANCE ☆☆		GROWTH TEST					FERTILITY ☆☆☆			COW VALUE ☆☆☆	GROWTH VALUE	PRODUCTION VALUE
	90 ⁶⁵	97 ³⁰	102 ³⁶	84 ¹³						113 ¹⁹									
Birth wght	Birth Mat	Milk	Wean wght	Post wean	Mature wght	ADG	Kleiber	FCR	Length	Height	SC	AFC	ICP						
92	86	97	102	122	116	97	103	-	95	94	80	73	122	90 ²⁶	-	-			
1.28 ⁶⁷	.63 ⁴⁴	1.1 ³⁰	4 ³⁶	19.1 ³²	26 ¹³	82 ⁸	24 ⁸	-	19 ¹⁰	9 ¹¹	2.7 ¹¹	23.1 ²⁸	-7.4 ¹⁰						
35(7.4%)			208 (116)	- (-)	- (-)									Semen donor: No Tests: - Vacc. -					
Remarks: Rooi poenskop. Uitstekende speenindeks.																			

LOT 218

0442495, S.A. WELZ, POSBUS 521695, SAXONWOLD, 2132, (T)011-447 2858



Naam Ident. nommer Geslag Afdeling Reg. nommer Geboorte Datum
BLOMVLEI SW 150029 MANLIK SP 0082056904 31-JUL-15

SW 150029

DNS: P678/16

BLOMVLEI SW 150029 - SP -
 0082056904 - 31-JUL-15 0%

BLOMVLEI SW 060039 - SP P
 0063613590 - 02-SEP-06 4%

BLOMVLEI SW 120054 - SP SC
 0076047901 - 28-OCT-12 4%

OEK 33.1 TKP -
 RI 100 Gem SI/Kalf: 121 / 1
 Oud. / Kalwers 3j. 5md. / 1

MOTSWIRI AJB 020021 - B -
 0046814281 - 24-SEP-02 5%

- HT 990005 - SP -
 0044845857 - 16-MAY-99 2%

OEK - TKP 433
 RI 93 Gem SI/Kalf: 100 / 7
 Oud. / Kalwers 12j. 12md. / 7

BLOMVLEI SW 080043 - SP P
 0068334176 - 19-AUG-08 4%

BLOMVLEI SW 090049 - B -
 0069469526 - 04-OCT-09 2%

OEK 36.8 TKP 377
 RI 96 Gem SI/Kalf: 118 / 2
 Oud. / Kalwers 4j. 9md. / 2

ZW BOOMERANG BG 950027 - SP -
 0043247139 - 04-NOV-95 3%

MOTSWIRI AJB 960101 - A -
 0042274480 - 10-OCT-96 0%

ZW BOOMERANG BG 950103 - SP -
 0044845451 - 25-NOV-95 4%

- HT 950030 - SP -
 0044845428 - 21-NOV-95 0%

NONNIE CR 010015 - SP P
 0044826162 - 25-JUL-01 12%

- LB 950058 - SP -
 0039643572 - 23-OCT-95 4%

MEGA M 030004 - SP P
 0048821201 - 23-FEB-03 10%

BLOMVLEI SW 070003 - A -
 0067874982 - 15-MAR-07 0%

Seleksie waarde	KALF GEMAK ☆☆☆		MELK ☆☆☆		KALFGROEI ☆☆☆		ONDERHOUD ☆☆		GROEI TOETS					VRUGBAARHEID ☆☆☆☆			KOEI WAARDE ☆☆☆	GROEI WAARDE	PRODUKSIE WAARDE
	96 ³⁶	107 ³⁰	103 ³⁶	86 ¹¹						130 ¹⁷									
Geb gew	Geb Mat	Melk	Speen gew	Naspeen	Volw. gewig	GDT	Kleiber	VOV	Lengte	Hoogte	SO	OEK	TKP						
95	105	107	103	119	114	-	-	-	100	99	86	101	133	108 ²³	-	-			
1.04 ³⁷	-.01 ²⁹	3.9 ³⁰	4.4 ³⁶	17.4 ³²	24 ¹¹	-	-	-	24 ⁶	13 ⁷	5.3 ⁷	-2.26 ¹⁰	10.1 ⁸	Semen skenker: Nee Toetse: - Inent. -					
30(7.6%)			215 (121)	- (-)	- (-)									Opmerkings: Dagha polled. Excellent wean index.					

LOT 219

0442495, S.A. WELZ, POSBUS 521695, SAXONWOLD, 2132, (T)011-447 2858



Name Ident. number Sex Section Reg. number Birth Date
BLOMVLEI SW 150028 MALE SP 0083285791 11-JUL-15

SW 150028

DNA: P677/16

BLOMVLEI SW 150028 - SP -
 0083285791 - 11-JUL-15 -%

BLOMVLEI SW 100052 - SP P
 0071976781 - 03-NOV-10 4%

BLOMVLEI SW 110080 - SP P
 0074522673 - 17-NOV-11 8%

AFC **43.8** ICP -
 RI **67** Avg. Wt/Calf: / **0**
 Age / Calves **4j. 4md. / 1**

BLOMVLEI SW 070050 - B P
 0065616161 - 22-SEP-07 1%

BLOMVLEI SW 050015 - SP P
 0060017902 - 10-APR-05 5%

AFC **36** ICP **430**
 RI **97** Avg. Wt/Calf: **99 / 4**
 Age / Calves **7j. 6md. / 4**

GENERAALSDRAAI H 030011 - SP -
 0047197751 - 11-MAY-03 6%

BLOMVLEI SW 050101 - SP H
 0062091400 - 14-NOV-05 9%

AFC **34.5** ICP **381**
 RI **105** Avg. Wt/Calf: **95 / 2**
 Age / Calves **6j. 11md. / 4**

MEGA M 040002 - SP P
 0048821524 - 14-MAR-04 5%

BLOMVLEI SW 040075 - A H
 0049135528 - 07-OCT-04 0%

NONNIE CR 010015 - SP P
 0044826162 - 25-JUL-01 12%

BLOMVLEI SW 960004 - SP -
 0037212685 - 25-OCT-96 3%

ZW BOOMERANG BG 960092 - SP -
 0043293224 - 30-OCT-96 9%

- LB 950105 - SP -
 0039595996 - 08-NOV-95 10%

NONNIE CR 010015 - SP P
 0044826162 - 25-JUL-01 12%

BLOMVLEI SW 990011 - SP -
 0042435610 - 27-SEP-99 10%

Selection value	CALVING EASE		MILK	CALF GRWTH.	MAINTENANCE		GROWTH TEST					FERTILITY			COW VALUE	GROWTH VALUE	PRODUCTION VALUE
	Birth wght	Birth Mat.	Milk	Wean wght	Post wean	Mature wght	ADG	Kleiber	FCR	Length	Height	SC	AFC	ICP			
Birth wght	-	-	-	-	-	-	-	-	-	-	-	-	-	-	-	-	-
Birth Mat.	-	-	-	-	-	-	-	-	-	-	-	-	-	-	-	-	-
Milk	-	-	-	-	-	-	-	-	-	-	-	-	-	-	-	-	-
Wean wght	-	-	-	-	-	-	-	-	-	-	-	-	-	-	-	-	-
Post wean	-	-	-	-	-	-	-	-	-	-	-	-	-	-	-	-	-
Mature wght	-	-	-	-	-	-	-	-	-	-	-	-	-	-	-	-	-
ADG	-	-	-	-	-	-	-	-	-	-	-	-	-	-	-	-	-
Kleiber	-	-	-	-	-	-	-	-	-	-	-	-	-	-	-	-	-
FCR	-	-	-	-	-	-	-	-	-	-	-	-	-	-	-	-	-
Length	-	-	-	-	-	-	-	-	-	-	-	-	-	-	-	-	-
Height	-	-	-	-	-	-	-	-	-	-	-	-	-	-	-	-	-
SC	-	-	-	-	-	-	-	-	-	-	-	-	-	-	-	-	-
AFC	-	-	-	-	-	-	-	-	-	-	-	-	-	-	-	-	-
ICP	-	-	-	-	-	-	-	-	-	-	-	-	-	-	-	-	-
Weights/Index	30(7.7%)			- (-)	- (-)	- (-)											
Remarks:	Rooi Poenskop														Semen donor: No Tests: - Vacc. -		